

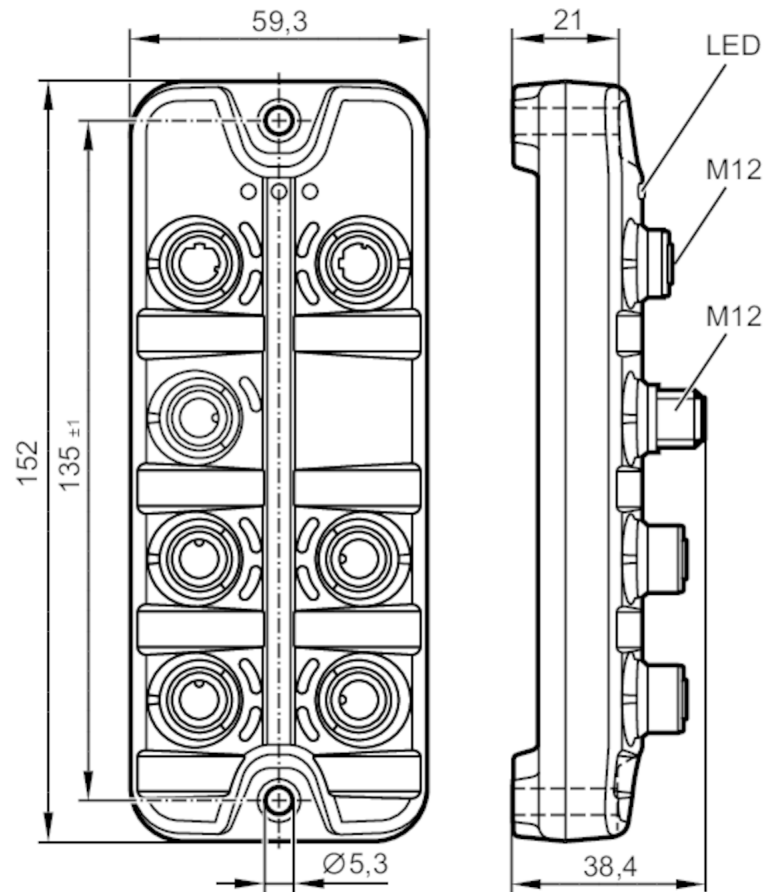


## IO-Link master starter kit - Cube UGT594 - Ultrasonic diffuse reflection sensor

UGT STARTER KIT IO-LINK

Article no longer available - archive entry

article can only be ordered once per customer



### Mechanical data

Weight [g] 888.8

### Accessories

Items supplied	IO-Link master StandardLine, PROFINET, AL1100
	Power supply, 230 V / 24 V (M12)
	Ethernet cable M12 - RJ45; 0,5 m, EVF549
	Connection cable M12 - M12; 0,6 m, EVC041
	ultrasonic diffuse reflection sensor, UGT594

### Remarks

Remarks For additional information, please refer to the data sheets and installation instructions for the components listed above.

Notes

article can only be ordered once per customer

Pack quantity

1 pcs.