

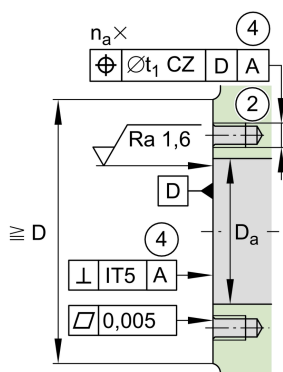
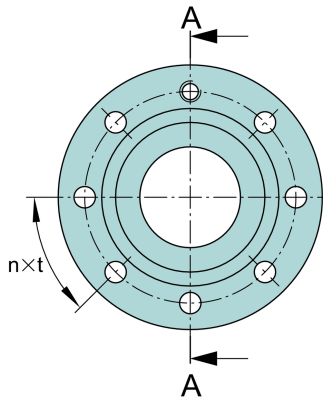
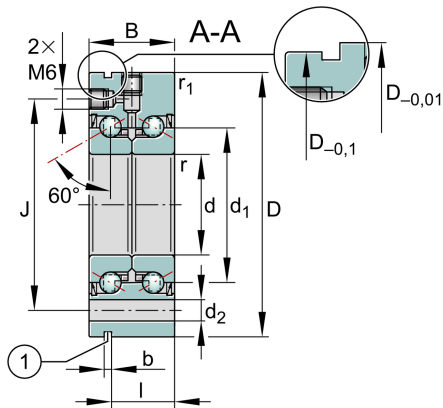
ZKLF3080-2RS-PE

Axial angular contact ball bearing

Schaeffler ID:
0021535050000

Axial angular contact ball bearing
ZKLF..-2RS-PE, double direction, screw
mounting

Technical information

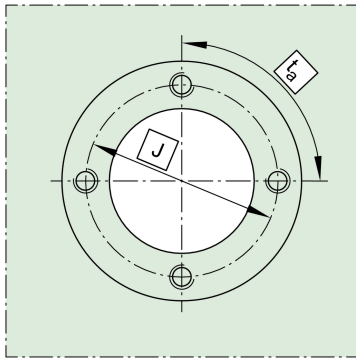
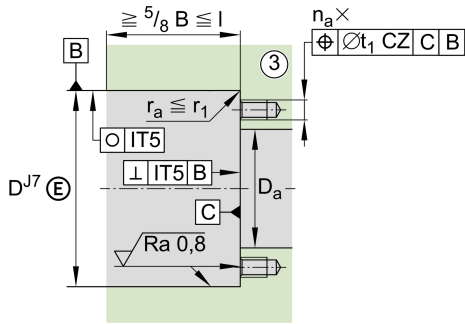


Main Dimensions & Performance Data

d	30 mm	Bore diameter
	0 mm	Bore diameter upper tolerance
	-0.01 mm	Bore diameter lower tolerance
D	80 mm	Outside diameter
	0 mm	Outside diameter upper tolerance
	-0.013 mm	Outside diameter lower tolerance
B	28 mm	Width
	0 mm	Width upper tolerance
	-0.25 mm	Width lower tolerance
C _a	29,000 N	Basic dynamic load rating, axial
C _{0a}	64,000 N	Basic static load rating, axial
C _{ua}	2,900 N	Fatigue load limit, axial
n _{G Grease}	2,200 1/min	Limiting speed for grease lubrication
n _g	2,200 1/min	Thermally safe operating speed
M _R	0.5 Nm	Bearing frictional torque
	0.731 kg	{Weight}

Mounting dimensions

D _{a max}	53 mm	Maximum diameter of housing
d _{a min}	40 mm	Minimum diameter shaft
t ₁	0.1 mm	Position tolerance of bore in the housing
	M6	Size of fixing screws
n _a	6	Number of holes in adjacent construction
t _a	60 °	Pitch separation angle of holes in adjacent construction
	M6	Connection thread for lubrication



Dimensions

d_1	45.5 mm	Rib diameter inner ring
r_{min}	0.3 mm	Minimum chamfer dimension
$r_{1 min}$	0.6 mm	Minimum chamfer dimension
J	63 mm	Pitch circle diameter fixing holes
d_2	6.8 mm	Fixing holes diameter
b	3 mm	Width of extraction slot
l	19 mm	Distance of extraction slot
n	12	Pitch quantity of fixing holes
t	30 °	Pitch separation angle of fixing holes
a	60 °	Contact angle

Temperature range

T_{min}	-30 °C	Operating temperature min.
T_{max}	120 °C	Operating temperature max.

Additional information

c_{aL}	850 N/μm	Rigidity axial
c_{kL}	300 Nm/mrad	Tilting rigidity
M_m	0.73 kg*cm ²	Mass moment of inertia
	5 μm	Axial runout
	ZM30	Recommended INA precision locknut for radial locking
	AM30	Recommended INA precision locknut for axial locking
M_A	32 Nm	Tightening torque for the recommended INA precision locknut
	9,947 N	Required locknut force axial

