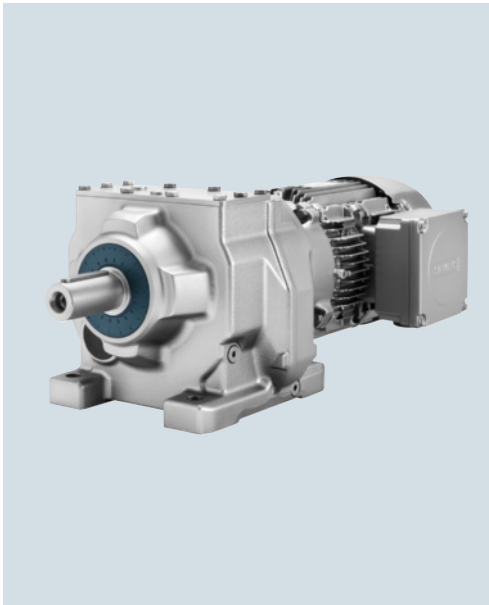


## Helical geared motors



A.G.P. Representaciones S.A.S  
 Calle 21A No. 70 - 40, Bodega UA 7 - 1  
 Bogota, Colombia  
 Tel. : +57 1 5706353  
 Fax : +57 1 5707335  
 agp@agp.com.co  
 www.agp.com.co

<b>3/2</b>	<b>Orientation</b>
<b>3/3</b>	<b>Geared motors up to 55 kW</b>
3/3	Selection and ordering data
<b>3/62</b>	<b>Transmission ratios and torques</b>
3/62	Selection and ordering data
<b>3/75</b>	<b>Dimensions</b>
3/75	Dimensional drawing overview
3/77	D/Z19
3/78	DF/ZF19
3/79	DZ/ZZ19
3/80	D/Z29
3/81	DB/ZB29
3/82	DF/ZF29
3/83	DZ/ZZ29
3/84	D/Z39
3/85	DB/ZB39
3/86	DF/ZF39
3/87	DZ/ZZ39
3/88	D/Z49 and DB/ZB49
3/89	DF/ZF49
3/90	DZ/ZZ49
3/91	D/Z59 and DB/ZB59
3/92	DF/ZF59
3/93	DZ/ZZ59
3/94	D/Z69 and DB/ZB69
3/95	DF/ZF69
3/96	DZ/ZZ69
3/97	D/Z79 and DB/ZB79
3/98	DF/ZF79
3/99	DZ/ZZ79
3/100	D/Z89 and DB/ZB89
3/101	DF/ZF89
3/102	DZ/ZZ89
3/103	D/Z109
3/104	DF/ZF109
3/105	DZ/ZZ109
3/106	D/Z129
3/107	DF/ZF129
3/108	DZ/ZZ129
3/109	D/Z149
3/110	DF/ZF149
3/111	D/Z169
3/112	DF/ZF169
3/113	D/Z189
3/114	DF/ZF189
3/115	Inner contour of the flange design

# SIMOGEAR Geared Motors

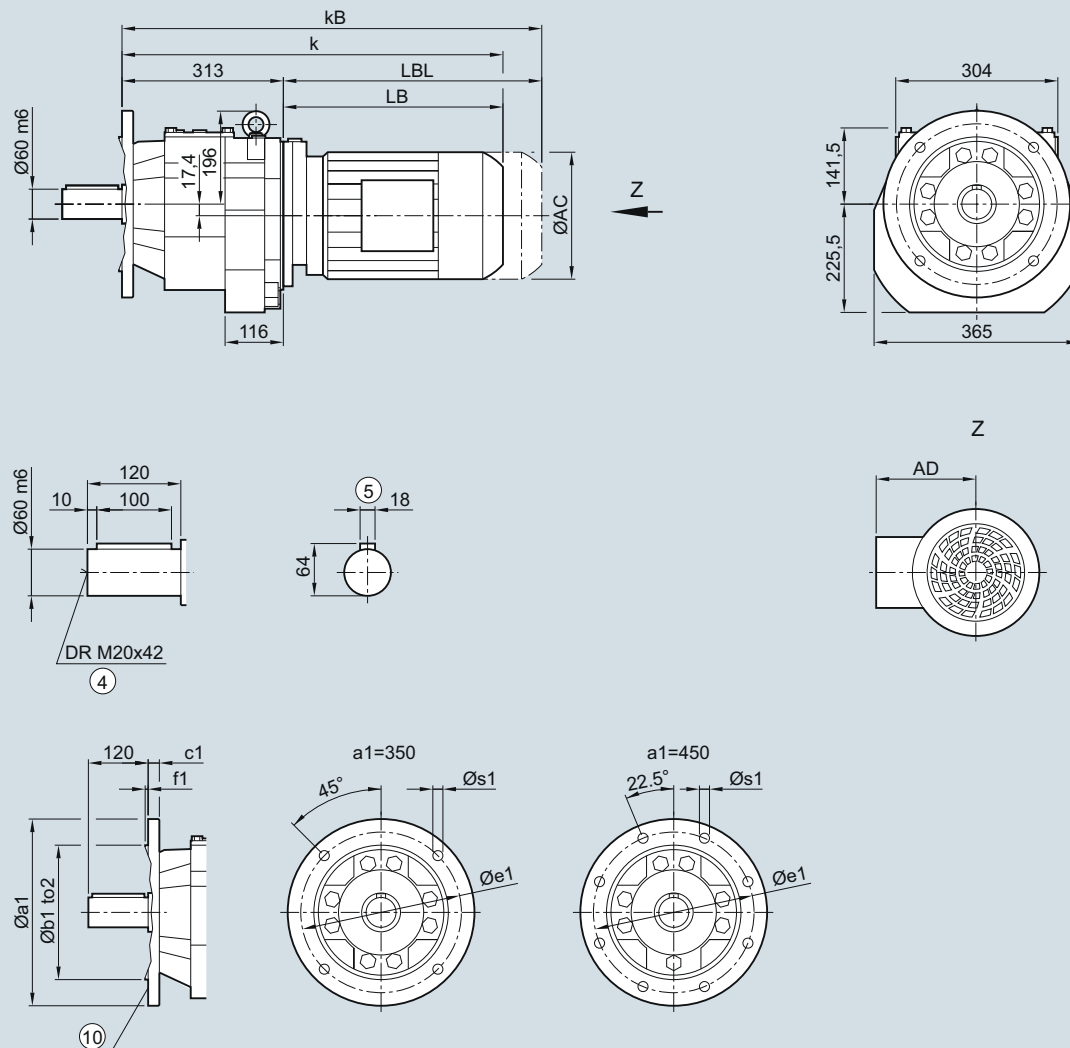
Helical geared motors

## Dimensions

### DF/ZF109 gearbox in a flange-mounted design

#### DZF030

#### DF/ZF109



Flange	a1	b1	to2	c1	e1	f1	s1
	350	250	h6	18	300	5	17.5
	450	350	h6	22	400	5	17.5

Motor	LE										LES					
	90S/L	90ZL	100L	100ZL	112M	112ZM	132S/M	132ZM	160M/L	160ZL	180M/L	180ZL	200L	200ZL	225S/M	225YM
AC	173.8	173.8	198.0	198.0	222.0	222.0	264.0	264.0	318.0	318.0	352.5	352.5	392.5	392.5	439.0	439.0
AD <sup>1)</sup>	154.2	154.2	170.5	170.5	181.5	181.5	207.0	207.0	241.0	241.0	292.0	292.0	315.0	315.0	337.0	337.0
k	629.0	669.0	679.5	714.5	689.5	714.5	742.5	792.5	824.5	884.5	897.5	927.5	965.5	990.5	1 011.0	1 071.0
kB	699.0	739.0	758.0	793.0	762.5	787.5	847.0	897.0	940.5	1 000.5	1 026.5	1 056.5	1 112.5	1 137.5	1 239.0	1 299.0
LB	316.0	356.0	366.5	401.5	376.5	401.5	429.5	479.5	511.5	571.5	584.5	614.5	652.5	677.5	698.0	758.0
LBL	386.0	426.0	445.0	480.0	449.5	474.5	534.0	584.0	627.5	687.5	713.5	743.5	799.5	824.5	926.0	986.0

④ DIN 332

⑤ Feather key/keyway DIN 6885

<sup>1)</sup> AD depends on the motor options, for other dimensions, see page 8/42.

⑩ For inner contour, see page 3/115