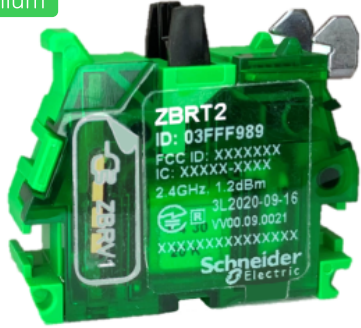


# Product datasheet

Specifications



## Transmitter for wireless and batteryless push button, Harmony XB5R, plastic, black, double action

ZBRT2

### Main

Range of product	Harmony XB5
Product or component type	Wireless and batteryless transmitter
Device short name	XB5R
Bezel material	Plastic
Mounting diameter	22 mm
Transmission frequency	2405 MHz
Emission class	5M00G7W
Antenna type	Omnidirectional

### Complementary

Max power consumption in W	1 mW
Number of channels	16
Modulation Technique	O-QPSK
Bandwidth	5 MHz
Antenna gain	0 dBi
Embedding depth	42 mm
CAD overall height	41.5 mm
CAD overall width	30 mm
CAD overall depth	43 mm
Net weight	0.025 kg
Operating travel	4.3 mm (total travel)
Operating force	10 N C/O changing electrical state
Mechanical robustness	Free fall resistance 1000 mm conforming to EN/IEC 60068-2-32
Standards	CSA C22.2 No 14 EN/IEC 60947-1 EN/IEC 60947-5-1 UL 508
Radio agreement	ANATEL ARIB T66 FCC ICASA RSS
Communication port protocol	Zigbee green power at 2.4 GHz conforming to IEEE 802.15.4

<b>Maximum sensing distance</b>	100 m in free field 25 m transmitter in a plastic box type XAL D and receiver in a metal enclosure 300 m transmitter in box type XAL D, receiver in metal enclosure and use relay-antenna
<b>Acquisition time</b>	2 ms
<b>Response time</b>	< 2 ms
<b>Fixing mode</b>	Fixing nut beneath head: 2...2.4 N.m
<b>Electrical composition code</b>	PW1

## Environment

<b>Ambient air temperature for storage</b>	-40...70 °C
<b>Ambient air temperature for operation</b>	-40...70 °C
<b>Relative humidity</b>	95 % at -40...70 °C without condensation
<b>IP degree of protection</b>	IP30 (back face) conforming to IEC 60529
<b>IK degree of protection</b>	IK03 conforming to IEC 50102
<b>Mechanical durability</b>	400000 cycles
<b>Shock resistance</b>	25 gn (duration = 6 ms) for 6000 shocks conforming to IEC 60068-2-27 30 gn (duration = 18 ms) for half sine wave acceleration conforming to IEC 60068-2-27 50 gn (duration = 11 ms) for half sine wave acceleration conforming to IEC 60068-2-27
<b>Vibration resistance</b>	5 gn (f= 11...500 Hz) conforming to IEC 60068-2-6 +/- 10 mm (f= 2...11 Hz) conforming to IEC 60068-2-6
<b>Electromagnetic compatibility</b>	Electrostatic discharge immunity test - test level: 8 kV (in free air (in insulating parts)) conforming to IEC 61000-4-2 Electrostatic discharge immunity test - test level: 4 kV (on contact (on metal parts)) conforming to IEC 61000-4-2 Susceptibility to electromagnetic fields - test level: 20 V/m (80...3000 MHz) conforming to IEC 61000-4-3 Susceptibility to electromagnetic fields - test level: 6 V/m (3000...6000 MHz, distance = 20 m) conforming to IEC 61000-4-3
<b>Product certifications</b>	CSA CCC UL GOST C-Tick BT 2006/95/EC
<b>Directives</b>	2004/108/EC - electromagnetic compatibility 1999/5/EC - R&TTE directive

## Packing Units

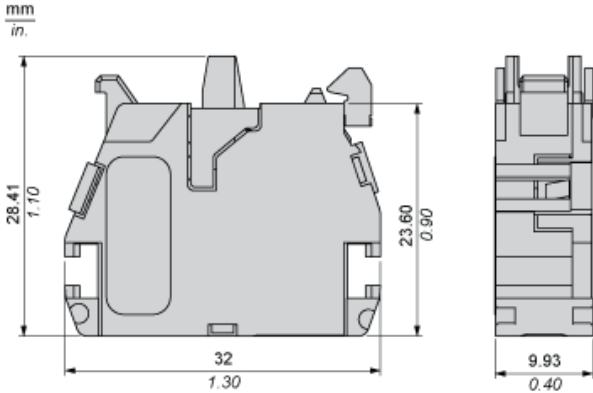
<b>Unit Type of Package 1</b>	PCE
<b>Number of Units in Package 1</b>	1
<b>Package 1 Height</b>	4.7 cm
<b>Package 1 Width</b>	5.4 cm
<b>Package 1 Length</b>	6.2 cm
<b>Package 1 Weight</b>	34.0 g
<b>Unit Type of Package 2</b>	S01
<b>Number of Units in Package 2</b>	42
<b>Package 2 Height</b>	15.0 cm
<b>Package 2 Width</b>	15.0 cm
<b>Package 2 Length</b>	40.0 cm
<b>Package 2 Weight</b>	1.601 kg

## Offer Sustainability

<b>Sustainable offer status</b>	Green Premium product
---------------------------------	-----------------------

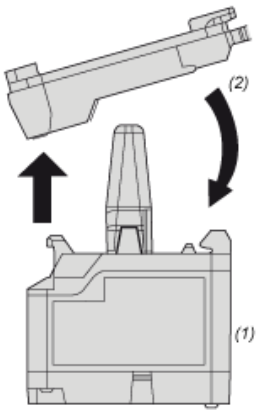
<b>REACH Regulation</b>	<a href="#">REACH Declaration</a>
<b>EU RoHS Directive</b>	Pro-active compliance (Product out of EU RoHS legal scope) <a href="#">EU RoHS Declaration</a>
<b>Mercury free</b>	Yes
<b>China RoHS Regulation</b>	<a href="#">China RoHS declaration</a>
<b>RoHS exemption information</b>	Yes
<b>Environmental Disclosure</b>	<a href="#">Product Environmental Profile</a>
<b>Circularity Profile</b>	<a href="#">End of Life Information</a>
<b>WEEE</b>	The product must be disposed on European Union markets following specific waste collection and never end up in rubbish bins
<b>PVC free</b>	Yes
<b>Silicon free</b>	Yes

Dimensions Drawings



## Mounting of the Transmitter onto the Body Fixing Collar

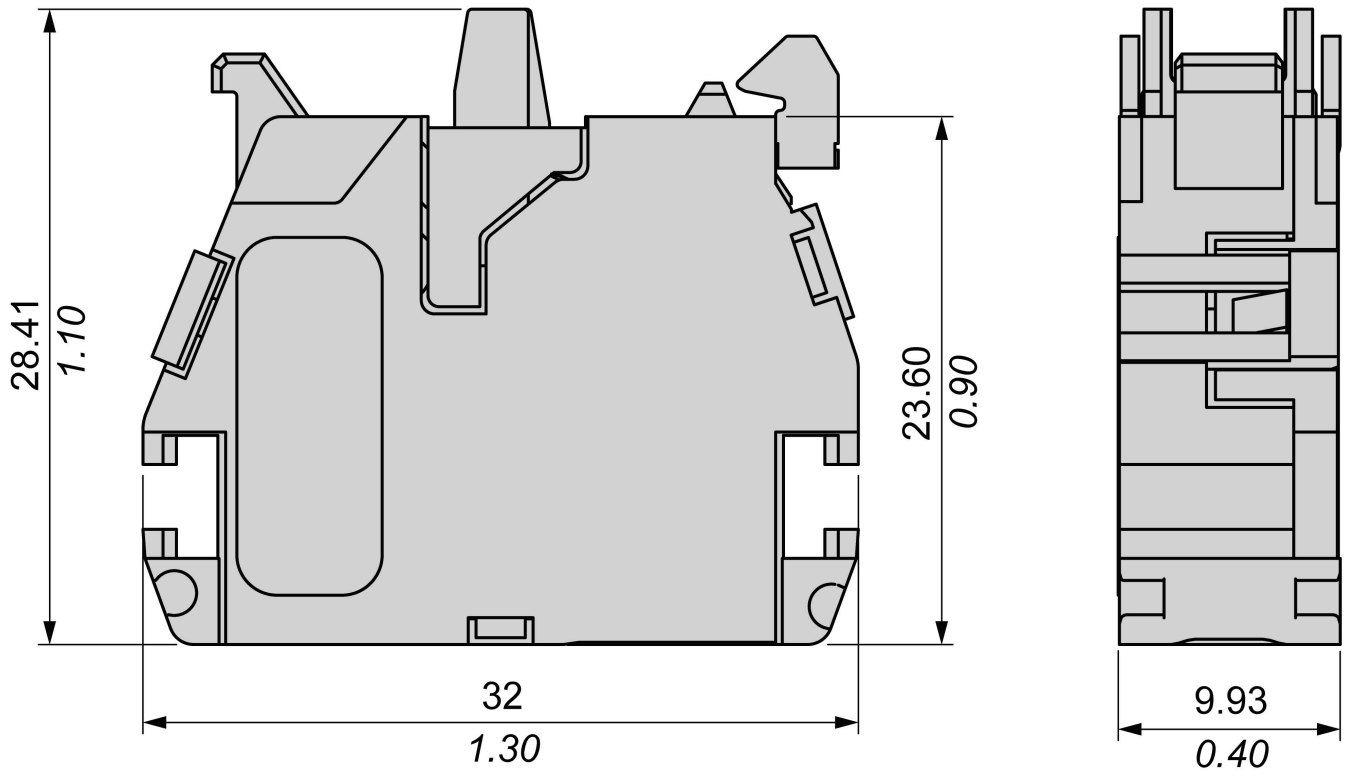
---



- (1): ZBRT1
- (2): Body fixing collar

Dimensions

mm  
in.



Recommended replacement(s)