



XG-H2100M

Digital High-speed Monochrome Camera with 21 million pixels

CE

! This model has been discontinued.
Compliance with the certification standard is ensured as of the time of shipment from our company.

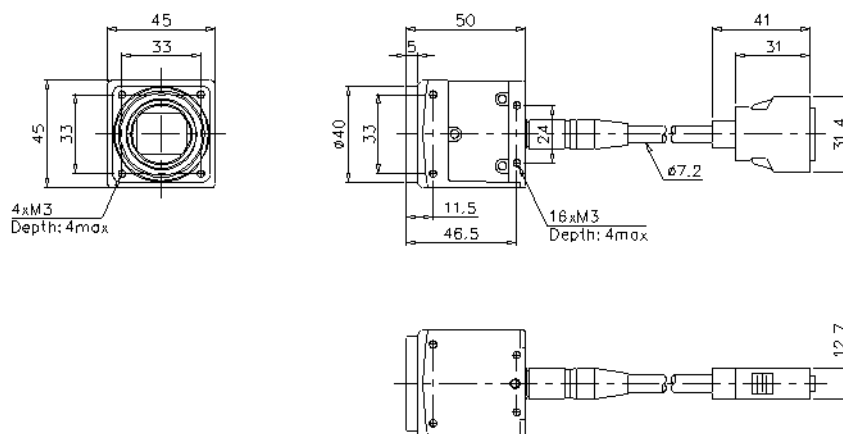
Contact Us: 1-888-539-3623

Recommended Replaceable Products: [LumiTrax™-compatible-compatible 21 megapixel camera Monochrome - CA-HF2100M](#)

Dimensions

* Download CAD file or product manual for larger image/text and more detail.

When ca-ch* is connected



When plastic fitting (accessory) is attached

