

Product datasheet

Specifications



Illuminated double headed push button, Easy Harmony XA2, plastic, 22mm, 1 green flush I + 1 light + 1 red flush O, 24V AC DC, 1NO + 1NC

XA2EW7L3741B5

Main

Range Of Product	Easy Harmony XA2
Product Or Component Type	Complete illuminated double-headed push-button
Device Short Name	XA2
Bezel Material	Plastic
Fixing Collar Material	Plastic
Light Source Colour	White
Device Presentation	Complete product

Complementary

Mounting Diameter	22.5 mm
Shape Of Signaling Unit Head	Rectangular
Type Of Operator	spring return
Operator Profile	Green flush, I (green) Red flush, O (red)
Contacts Type And Composition	1 NO + 1 NC
Contact Operation	Slow-break
Contacts Usage	Standard contacts
Positive Opening	With conforming to IEC 60947-5-1 appendix K
Operating Travel	1.75 mm (NC changing electrical state) 2.65 mm (NO changing electrical state)
Mechanical Durability	500000 cycles
Connections - Terminals	Screw clamp terminals, $\leq 1 \times 2.5 \text{ mm}^2$ without cable end conforming to IEC 60947-1 Screw clamp terminals, $\leq 2 \times 1.5 \text{ mm}^2$ with cable end conforming to IEC 60947-1 Screw clamp terminals, $\geq 1 \times 0.5 \text{ mm}^2$ without cable end conforming to IEC 60947-1
Tightening Torque	0.8...1.2 N.m conforming to IEC 60947-1
Shape Of Screw Head	Cross
Contacts Material	Silver alloy (Ag/Ni)
Short-Circuit Protection	10 A gL fuse conforming to IEC 60269-1
[Ith] Conventional Free Air Thermal Current	10 A conforming to IEC 60947-5-1
[Ui] Rated Insulation Voltage	600 V (pollution degree 3) conforming to IEC 60947-1
[Uimp] Rated Impulse Withstand Voltage	6 kV conforming to IEC 60947-1

[Ie] Rated Operational Current	3 A at 240 V, AC-15, A600 conforming to IEC 60947-5-1 0.27 A at 250 V, DC-13, Q600 conforming to IEC 60947-5-1
Electrical Durability	500000 cycles, AC-15, 3 A at 240 V, operating rate <3600 cyc/h, load factor: 0.5 conforming to IEC 60947-5-1 appendix C
Signalling Type	Steady
Light Source	Protected LED
Bulb Base	Integral LED
[Us] Rated Supply Voltage	24 V AC/DC at 50/60 Hz
Supply Voltage Limits	0.8...1.2 V AC/DC
Current Consumption	20 mA
Service Life	10000 h
Surge Withstand	1 kV conforming to IEC 61000-4-5
Terminals Description Iso N°1	(13-14)NO (11-12)NC
Width	29.8 mm
Height	81.3 mm
Depth	55.4 mm
Net Weight	0.072 kg
Cap/Operator Or Lens Colour	Green + red
Type Of Operator	Spring return
[Us] Rated Supply Voltage	24 V

Environment

Ambient Air Temperature For Storage	-40...85 °C
Ambient Air Temperature For Operation	-25...55 °C
Overvoltage Category	Class I conforming to IEC 536
Ip Degree Of Protection	IP40 conforming to IEC 60529
Ik Degree Of Protection	IK05 conforming to IEC 50102
Standards	IEC 60947-5-1 GB 14048.1 GB 14048.5
Product Certifications	CCC EAC CE
Vibration Resistance	15 gn (f= 12...500 Hz) conforming to IEC 60068-2-6
Shock Resistance	70 gn (duration = 11 ms) for half sine wave acceleration conforming to IEC 60068-2-27

Packing Units

Unit Type Of Package 1	PCE
Number Of Units In Package 1	1
Package 1 Height	8.13 cm
Package 1 Width	2.98 cm
Package 1 Length	5.54 cm
Package 1 Weight	72.1 g

Unit Type Of Package 2	S02
Number Of Units In Package 2	70
Package 2 Height	15 cm
Package 2 Width	30 cm
Package 2 Length	40 cm
Package 2 Weight	6 kg
Unit Type Of Package 3	P06
Number Of Units In Package 3	1120
Package 3 Height	95 cm
Package 3 Width	60 cm
Package 3 Length	80 cm
Package 3 Weight	97 kg

Sustainability

Green Premium™ label is Schneider Electric's commitment to delivering products with best-in-class environmental performance. Green Premium promises compliance with the latest regulations, transparency on environmental impacts, as well as circular and low-CO₂ products.

Guide to assessing product sustainability is a white paper that clarifies global eco-label standards and how to interpret environmental declarations.

[Learn more about Green Premium >](#)

[Guide to assess a product's sustainability >](#)

Well-being performance

✓ Reach Free Of Svhc

✓ Mercury Free

✓ Rohs Exemption Information [Yes](#)

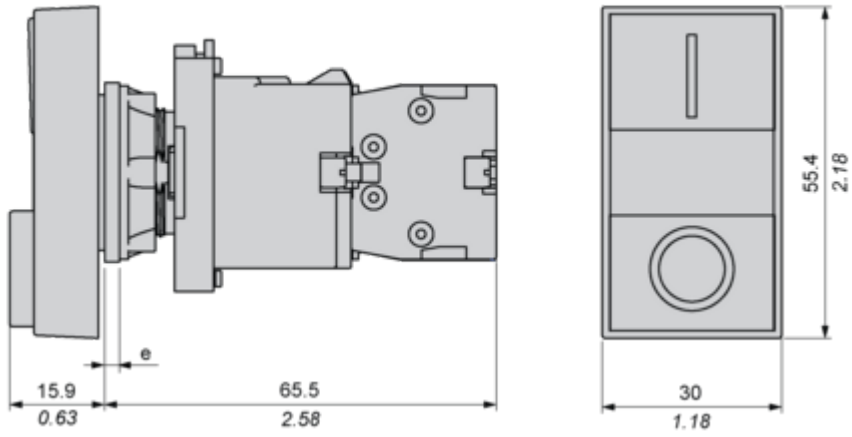
Reach Regulation [REACH Declaration](#)

Eu Rohs Directive [Compliant](#)
[EU RoHS Declaration](#)

China Rohs Regulation [China RoHS declaration](#)

Dimensions

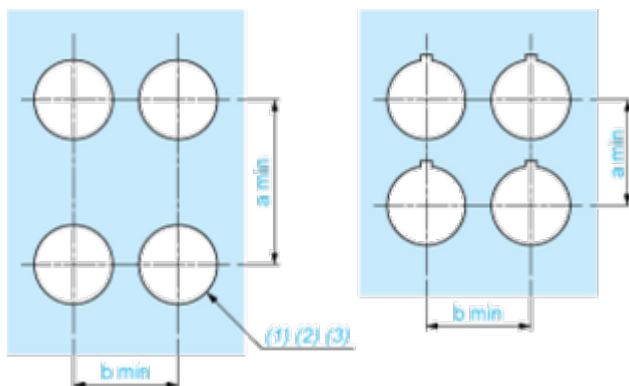
mm
in.



e : Clamping thickness: 1 to 6 mm/0.04 to 0.24 in.

Panel Cut-out for Pushbuttons, Switches and Pilot Lights (Finished Holes, Ready for Installation)

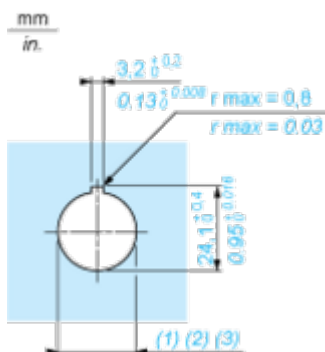
Connection by Screw Clamp Terminals



- (1) Diameter on finished panel or support
- (2) For selector switches and Emergency stop buttons, use of an anti-rotation plate type ZB5AZ902 is recommended.
- (3) Ø22.5 mm recommended ($\text{Ø}22.3_0^{+0.4}$) / Ø0.89 in. recommended ($\text{Ø}0.88\text{ in.}_0^{+0.016}$)

Connections	a in mm	a in in.	b in mm	b in in.
By screw clamp terminals connector	40	1.57	30	1.18
By Faston connectors	45	1.77	32	1.26

Detail of Lug Recess



- (1) Diameter on finished panel or support
- (2) For selector switches and Emergency stop buttons, use of an anti-rotation plate type ZB5AZ902 is recommended.
- (3) Ø22.5 mm recommended ($\text{Ø}22.3_0^{+0.4}$) / Ø0.89 in. recommended ($\text{Ø}0.88\text{ in.}_0^{+0.016}$)