

Solenoid valves VZWM-L

FESTO



Festo Core Range
Solves the majority of your automation tasks

With the Festo Core Range, we have selected the most important products and functions from our broad product catalogue, and added the quickest delivery.

Worldwide: Quickest delivery – wherever, whenever
Simply good: Expected high Festo quality
Fast: Easy and fast to select

The Core Range offers you the best value for your automation tasks.

Just look
for the
star!

Data sheet

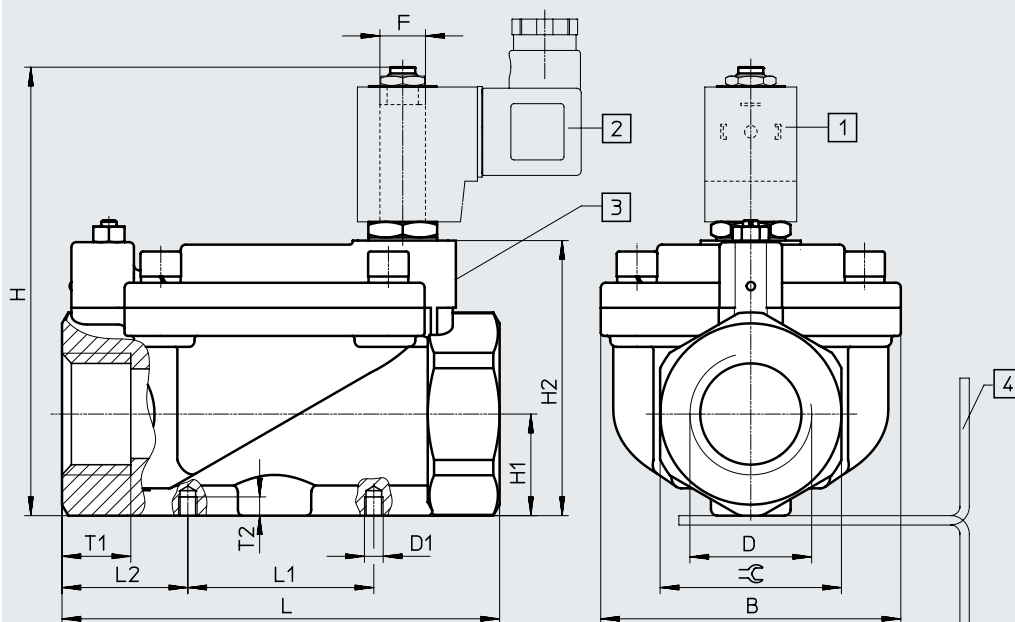
Weight [g]			
Brass housing		Stainless steel cast housing	
VZWM-...-G14-F4	500	VZWM-...-G14-F5-R1	400
VZWM-...-G38-F4	480	VZWM-...-G38-F5-R1	400
VZWM-...-G12-F4	450	VZWM-...-G12-F5-R1	360
VZWM-...-G34-F4	1270	VZWM-...-G34-F5-R1	1200
VZWM-...-G1-F4	1200	VZWM-...-G1-F5-R1	1100
VZWM-...-G114-F5	2850	VZWM-...-G114-F5-R1	2650
VZWM-...-G112-F5	2570	VZWM-...-G112-F5-R1	2400
VZWM-...-G2-F5	3800	VZWM-...-G2-F5-R1	3660

Data sheet

Dimensions

Download CAD data → www.festo.com

2/2-way valve



- [1] Plug socket connection to DIN EN 17301-803, type A
- [2] Plug socket MSSD-N
- [3] Space for inscription labels
- [4] Mounting bracket HRM-...

Type	B ±1.5	D	D1	H ±2	H1 ±1.5	H2 ±1	L ±2	L1 ±1.5	L2	F	T1	T2 ±0.5	≙
VZWM-...-G14-F4	48	G1/4	M4	85.5	15	49	67	25	21	F4	12	4	27
VZWM-...-G38-F4	48	G3/8	M4	85.5	15	49	67	25	21	F4	12	4	27
VZWM-...-G12-F4	48	G1/2	M4	85	15	49	67	25	21	F4	12	4	27
VZWM-...-G34-F4	70	G3/4	M6	107	24.2	70.5	96	40	28	F4	16	6	41
VZWM-...-G1-F4	70	G1	M6	107	24.2	70.5	96	40	28	F4	16	6	41
VZWM-...-G114-F5	96	G1 1/4	M6	143.5	32.5	88	140	59.5	40.25	F5	22	6	58
VZWM-...-G112-F5	96	G1 1/2	M6	143.5	32.5	88	140	59.5	40.25	F5	22	6	58
VZWM-...-G2-F5	112	G2	M6	159	38.5	103.5	168	59.5	54.25	F5	25	6	70
VZWM-...-G14-F5-R1	44	G1/4	M4	106	15.6	51	67	25	21	F5	-	4	27
VZWM-...-G38-F5-R1	44	G3/8	M4	106	15.6	51	67	25	21	F5	-	4	27
VZWM-...-G12-F5-R1	44	G1/2	M4	106	15.6	51	67	25	21	F5	-	4	27
VZWM-...-G34-F5-R1	70	G3/4	M6	126	24.2	70	96	40	28	F5	-	6	41
VZWM-...-G1-F5-R1	70	G1	M6	126	24.2	70	96	40	28	F5	-	6	41
VZWM-...-G114-F5-R1	96	G1 1/4	M6	145	34	89.5	140	59.5	40.25	F5	-	6	58
VZWM-...-G112-F5-R1	96	G1 1/2	M6	145	34	89.5	140	59.5	40.25	F5	-	6	58
VZWM-...-G2-F5-R1	112	G2	M6	159	38.5	104	168	59.5	54.25	F5	-	6	70