

VT3-W4TA

4-inch TFT Colour RS-422/485-type Touch Panel



SPECIFICATIONS

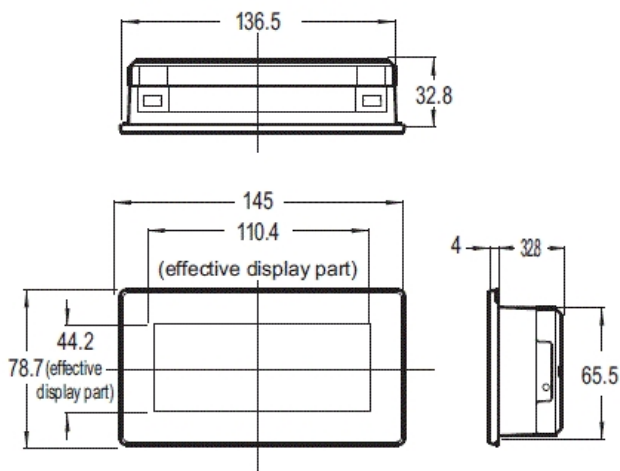
Model		VT3-W4TA			
General specifications	Current consumption		200mA or less		
	Structure		Panel built-in type, IP65f equivalent dust-proof, waterjet-proof on only front panel		
	Overvoltage category		I		
	Pollution degree		2		
	Power voltage		24 VDC \pm 10%		
	Noise resistance		1500 Vp-p pulse width 1 μ s (common mode, based on noise simulator)		
	Withstand voltage		1500 VAC 1 minute (between power terminal and housing)		
	Insulation resistance		50 M Ω or more tested by 500 VDC megohmmeter (between power terminal and housing)		
	Vibration resistance	Intermittent vibration	Frequency: 5 to 9 Hz	Half amplitude: 3.5 mm ¹	
			Frequency: 9 to 150 Hz	Acceleration: 9.8 m/s ² *1	
		Continuous vibration	Frequency: 5 to 9 Hz	Half amplitude: 1.75 mm ¹	
			Frequency: 9 to 150 Hz	Acceleration: 4.9 m/s ² *1	
	Operating environment		Minimal amount of dust and corrosive gas present		
	Ambient operating temperature		0 to +50°C		
Ambient operating humidity		35 to 85%RH (No condensation) ²			
Ambient storage temperature		-20 to +60°C (No freezing)			
Ambient storage humidity		35 to 85%RH (No condensation) ²			
Weight		Approx 250 g			
Performance specifications	Displaypanel	Display elements	TFT LCD		
		Display colour	32768 colours		
		Number of points displayed	W 320 × H 128 points		
		Active display area	W 110.4 × H 44.2 mm		
		Service life (normal temperature and humidity)	Approx 50000 h		
	Backlightlamp	System	White LED (Not replaceable)		
		Life-span	Approx 50000 h		
		Display colour	—		
	Touchswitch	Number of switches	40×16/screen		
		System	Analogue resistive membrane type		
		Operating force	0.98N or less		
		Life-span	1,000,000 times or more		
	Screen data internal memory	Memory capacity	3 MB		
		Number of pages that can be registered	Up to 1024 pages		
		Number of screens that can be registered	Up to 1024 screens		
	Data backup	Screen data	Flash ROM can be erased for 100000 times		
		Recording data	SRAM backup:lithium battery		
	Character font		Outline font, Bitmap font, Windows font, IMAGE font, Small font		
	Calendar timer		Accuracy:±40s/month (25°C), Backup:1lithium battery (5 years above of service life at 25°C)		
	Communication function	PLC host link	KEYENCE, Mitsubishi Electric, OMRON, Sharp, Fuji Electric FA Components & Systems, Yaskawa Electric, Hitachi, Panasonic Electric Works, JTEKT (Toyota), Koyo Electronics Industries, Yokogawa Electric, Toshiba, Toshiba Machine, Fanuc, GE Fanuc Automation, Rockwell (Allen Bradley), Siemens		
			Thermostat		Yokogawa Electric, Azbil (Yamatake), OMRON, RKC Instrument, Shinko Technos, CHINO
Inverter			Mitsubishi Electric, Fuji Electric FA Components & Systems, Yaskawa Electric, OMRON		
Servo amplifier			Mitsubishi Electric		
Stepping motor			Oriental Motor		
Robot controller			IAI		
Eco-power meter			Panasonic Electric Works		
General-purpose communication			Based on specific commands		
I/O specifications			Serial I/F (PORT 2) for connecting PLC/MegaLink/multi-link/external devices		Applied standard
	Synchronisation between the transmitter and receiver		RS-422A: start-stop, full duplex; RS-485: start-stop, half duplex		
	Transmission distance		RS-422A: 500 m, RS-485: 1,000 m		

		Data length	7 or 8 bits
		Parity	Even, odd, none
		Transmission speed	1,200, 2,400, 4,800, 9,600, 19,200, 38,400, 57,600, 115,200 bps
	When connected through MegaLink	Applied standard	RS-485
		Synchronisation between the transmitter and receiver	Start-stop, half duplex
		Communication speed	19,200, 115,200 bps
		Connection format	Multi-drop (branching is not possible)
		Maximum number of connectable units	15
		Baud rate 19200	Maximum extension distance: 1,000 m
		Baud rate 115200	
	When connected through VT2 multi-link	Communication speed	19,200, 115,200 bps
	When connected through multi-link	Applied standard	RS-485
		Synchronisation between the transmitter and receiver	Start-stop, half duplex
		Communication distance	Maximum extension distance: 500 m or less
		Communication speed	19,200, 38,400, 57,600, 115,200 bps
	Serial I/F (PORT 2) for connecting PLC/external devices	Applied standard	—
		Synchronisation between the transmitter and receiver	
		Communication distance	15m
		Data length	—
		Parity	
		Communication speed	
<p>^{*1} Conforms to JIS B 3502, IEC61131-2 Number of sweeps: 10 times respectively in the X, Y, and Z directions (100 minutes)</p> <p>^{*2} When the ambient temperature is higher than 40°C, please use it in the condition of an absolute humidity of 85%RH at 40°C.</p>			

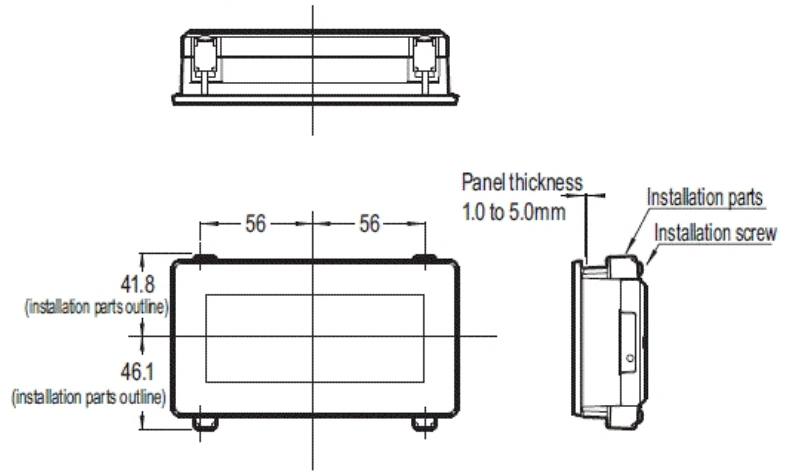
Dimensions

* Download CAD file or product manual for larger image/text and more detail.

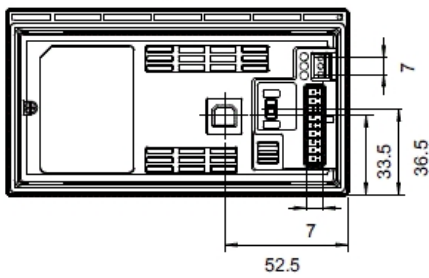
■ VT3-W4T(A)



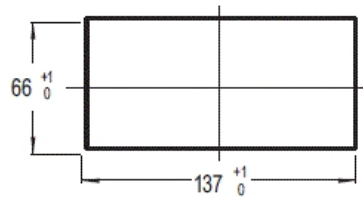
When installation parts (accessories) are available



Rear view



Panel opening size



in: mm