

- > Port size: G1/8, G1/4
  - > Extensive range of power and orifice size options
  - > Compact installation
  - > Removeable coil
  - > Standard exhaust diffuser
- > Choice of manual override



### Technical features

#### Medium:

Compressed air, filtered, lubricated and non lubricated

#### Operation:

Poppet valve, directly actuated spring return

#### Operating pressure:

16 bar (232 psi) maximum  
Details see table below

#### Port sizes:

G 1/8, G 1/4 single valve  
G 1/8 (on sub-base mounted)

#### Ambient/Media temperature:

-20 ... +50°C (-4 ... +122°F)  
Air supply must be dry enough to avoid ice formation at temperatures below +2°C (+35°F).

#### Materials:

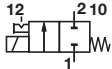
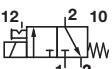
Coil: glass reinforced PA  
Armature: stainless iron  
Tube & spring: stainless steel  
Base: zinc alloy (G1/8)  
brass (G1/4), glass reinforced polyester (interface)  
Seals: NBR (FPM)

### Electrical details for solenoid operators

<b>Voltage tolerance:</b>	±10%	
<b>Rating:</b>	100% E.D.	
<b>Power consumption:</b>	Excel V03	d.c. 1,0 W
	Excel V04	d.c. 4,5 W
	Excel V05	d.c. 9,0 W
<b>Inrush/hold:</b>	Excel V03 & V04	a.c. 14/10 V A
	Excel V05	a.c. 27/20 V A

<b>Electrical connection:</b>	3 pin plug (DIN 43 650 Form A) Coil may be rotated at 90° intervals	
<b>Manual override:</b>	G1/8	Screwdriver operated, memory type standard
	G1/4	Lever operated memory type standard
	Interface	Screwdriver operated, memory type standard
<b>Protection class:</b>	IP 65 acc. to DIN EN 175 301-803 (DIN 40 050) with terminal box fitted	

### Technical data - standard models

Symbol	Port size	Orifice (mm)	Actuation/return	Flow (l/min)	Operating pressure (bar)	Operating pressure (psi)	Weight (kg)	Weight (lbs)	Drawing No.	Model
	Flange	1	Solenoid/Spring	25	0 ... 10	0 ... 145	0,20	0,44	1	V03X286J-B613A*1)
	G1/8	1	Solenoid/Spring	30	0 ... 10	0 ... 145	0,24	0,52	2	V03A286J-B613A*1)
	Flange	2,5	Solenoid/Spring	150	0 ... 10	0 ... 145	0,20	0,44	1	V04X286M-B62*A
	G1/8	2,5	Solenoid/Spring	190	0 ... 10	0 ... 145	0,24	0,52	2	V04A286M-B62*A
	G1/4	2,5	Solenoid/Spring	190	0 ... 10	0 ... 145	0,32	0,70	3	V04B286M-B42*A
	G1/4	3	Solenoid/Spring	260	0 ... 7	0 ... 101	0,32	0,70	3	V04B286N-B42*A
	Flange	2,5	Solenoid/Spring	150	0 ... 16	0 ... 232	0,20	0,44	1	V05X286M-B63*A
	G1/8	2,5	Solenoid/Spring	190	0 ... 16	0 ... 232	0,24	0,52	2	V05A286M-B63*A
	G1/4	2,5	Solenoid/Spring	190	0 ... 16	0 ... 232	0,32	0,70	3	V05B286M-B43*A
	Flange	1	Solenoid/Spring	25	0 ... 10	0 ... 145	0,20	0,44	1	V03X486J-B613A*1)
	G1/8	1	Solenoid/Spring	30	0 ... 10	0 ... 145	0,24	0,52	2	V03A486J-B613A*1)
	Flange	2	Solenoid/Spring	95	0 ... 10	0 ... 145	0,20	0,44	1	V04X486L-B62*A
	G1/8	2	Solenoid/Spring	120	0 ... 10	0 ... 145	0,24	0,52	2	V04A486L-B62*A
	Flange	2,5	Solenoid/Spring	150	0 ... 10	0 ... 145	0,20	0,44	1	V05X486M-B63*A
	G1/8	2,5	Solenoid/Spring	190	0 ... 10	0 ... 145	0,24	0,52	2	V05A486M-B63*A
	Flange	2	Solenoid/Spring	95	0 ... 10	0 ... 145	0,20	0,44	1	V04X386L-B62*A
	G1/8	2	Solenoid/Spring	120	0 ... 10	0 ... 145	0,24	0,52	2	V04A386L-B62*A
	Flange	2,5	Solenoid/Spring	150	0 ... 10	0 ... 145	0,20	0,44	1	V05X386M-B63*A
G1/8	2,5	Solenoid/Spring	190	0 ... 10	0 ... 145	0,24	0,52	2	V05A386M-B63*A	

\* Insert voltage codes from table on page 2.

\*1) V03 models are available with 24 V d.c. coil only. Spare coil part no. V03X286A-Q1213.

All models are available without manual override. Change 11th digit to 1 eg. V04A486L-B12\*A.

Other orifices are available. Contact our Technical Service for details. Service kits are not available for these valves. Order connector plugs separately.

Option selector

V0★★★86★-B★★★

Series	Substitute
V03	3
V04	4
V05	5
Port size/base	Substitute
Interface	X
G1/8	A
G1/4	B
Function	Substitute
2/2 NC	2
3/2 NO	3
3/2 NC	4
Orifice (mm)	Substitute
1 (Interface only)	J
1,5 (Interface and G1/8 only)	K
2 (all versions)	L
2,5 (all versions)	M
3 (G1/4 only)	N

Connector	Substitute
Without (standard)	A
With	B
Voltage	Substitute
12 V d.c. (V04 & V05 only)	2
24 V d.c. (V03, V04 & V05)	3
24 V a.c. (V04 & V05 only)	4
48 V d.c. (V04 & V05 only)	5
48 V a.c. (V04 & V05 only)	6
110 V d.c. (V04 & V05 only)	7
110 V a.c. (V04 & V05 only)	8
240 V a.c. (V04 & V05 only)	9
Power	Substitute
1 W (V03)	1
4,5 W (V04)	2
9 W (V05)	3
Manual override	Substitute
Without	1
Push button (push to operate spring return)	3*
Lever	4
Push to turn (Screwdriver)	6*

Valve and base options

Series	Interface mounted valve	G1/8 Valve	G1/4 Valve
V03	V03X	V03A	V03B
V04	V04X	V04A	V04B
V05	V05X	V05A	V05B

Note: This table should be used for identification purposes only and not to build up model variants.

Voltage codes - V04 series

30 mm coil for connector interface acc. EN 175 301-803, form A

Voltage	Power consumption Inrush/Hold	Model	Code
12 V d.c.	4,5 W	V04X286A-Q1222	2
24 V d.c.	4,5 W	V04X286A-Q1223	3
48 V d.c.	4,5 W	V04X286A-Q1225	5
110 V d.c.	4,5 W	V04X286A-Q1227	7
24 V 50/60 Hz	14/10 VA	V04X286A-Q1224	4
48 V 50/60 Hz	14/10 VA	V04X286A-Q1226	6
110 ...120 V 50/60 Hz	14/10 VA	V04X286A-Q1228	8
220 ... 240 V 50/60 Hz	14/10 VA	V04X286A-Q1229	9

Voltage codes - V05 series

30 mm coil for connector interface acc. EN 175 301-803, form A

Voltage	Power consumption Inrush/Hold	Model	Code
12 V d.c.	9 W	V05X286A-Q1232	2
24 V d.c.	9 W	V05X286A-Q1233	3
48 V d.c.	9 W	V05X286A-Q1235	5
110 V d.c.	9 W	V05X286A-Q1237	7
24 V 50/60 Hz	27/20 VA	V05X286A-Q1234	4
48 V 50/60 Hz	27/20 VA	V05X286A-Q1236	6
110 ...120 V 50/60 Hz	27/20 VA	V05X286A-Q1238	8
220 ... 240 V 50/60 Hz	27/20 VA	V05X286A-Q1239	9

Connector plugs - ordered separately

30 mm, EN 175301-803 (DIN 43650 B) Form A  
2-pole + PE



0570275

**Interface valves, manifold only, manifold with valves**

Series	Interface mounted Valve	Fixed length manifold only	Fixed length manifold with valves
V03	V03X	M/P35598/*2)	V03X..*3) 86..*4) -H613A..*2)
V04	V04X	M/P35598/*2)	V04X..*3) 86..*4) -H62*A..*2)
V05	V05X	M/P35598/*2)	V05X..*3) 86..*4) -H63*A..*2)

\*2) Insert number of stations

\*3) Insert function code

\*4) Insert inlet orifice code

**Interface mounted valves can be supplied pre-assembled on manifolds.**

Select the basic valve required and quote the associated manifold/valve assembly model using the table below:

Serie	Basic-Valve	Manifold valve
V03	V03X286J-B613A	V03X286J-H613A#
	V03X486J-B613A	V03X486J-H613A#
	V03X486K-B613A	V03X486K-H613A#
V04	V04X286K-B62*A	V04X286K-H62*A#
	V04X286L-B62*A	V04X286L-H62*A#
	V04X286M-B62*A	V04X286M-H62*A#
	V04X486J-B62*A	V04X486J-H62*A#
	V04X486K-B62*A	V04X486K-H62*A#
	V04X486L-B62*A	V04X486L-H62*A#
V05	V04X486M-B62*A	V04X486M-H62*A#
	V05X286M-B61*A	V05X286M-H63*A#
	V05X486K-B61*A	V05X486K-H63*A#
	V05X486L-B61*A	V05X486L-H63*A#
	V05X486M-B61*A	V05X486M-H63*A#

\* Insert voltage code

# Insert number of stations (1 to 20 stations)

1 = 1 station, 2 = 2 stations etc.

A = 10 stations, B = 11 stations

K = 19 stations, L = 20 stations

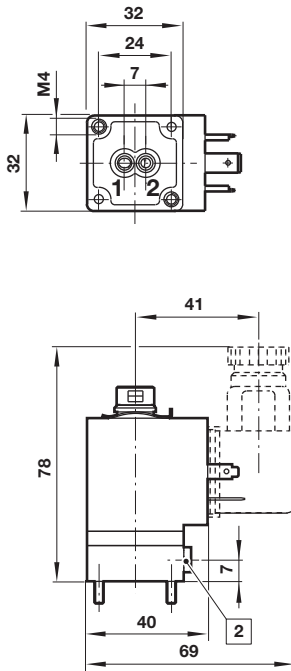
**Drawings**  
**V03X, V04X and V05X models**  
**Interface mounted valves**

**V03A, V04A and V05A models**  
**G1/8 valves**

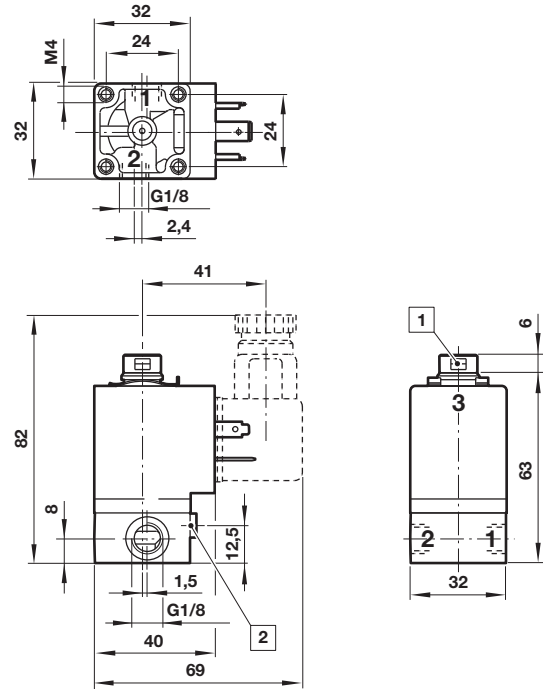
Dimensions in mm  
Projection/First angle



1



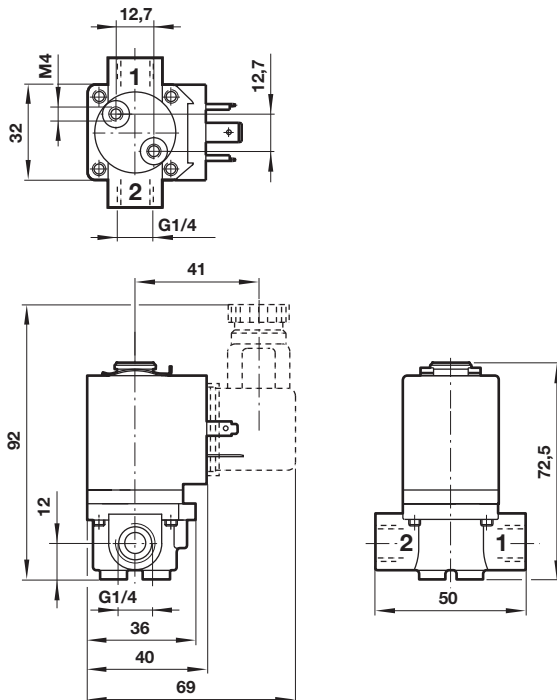
2



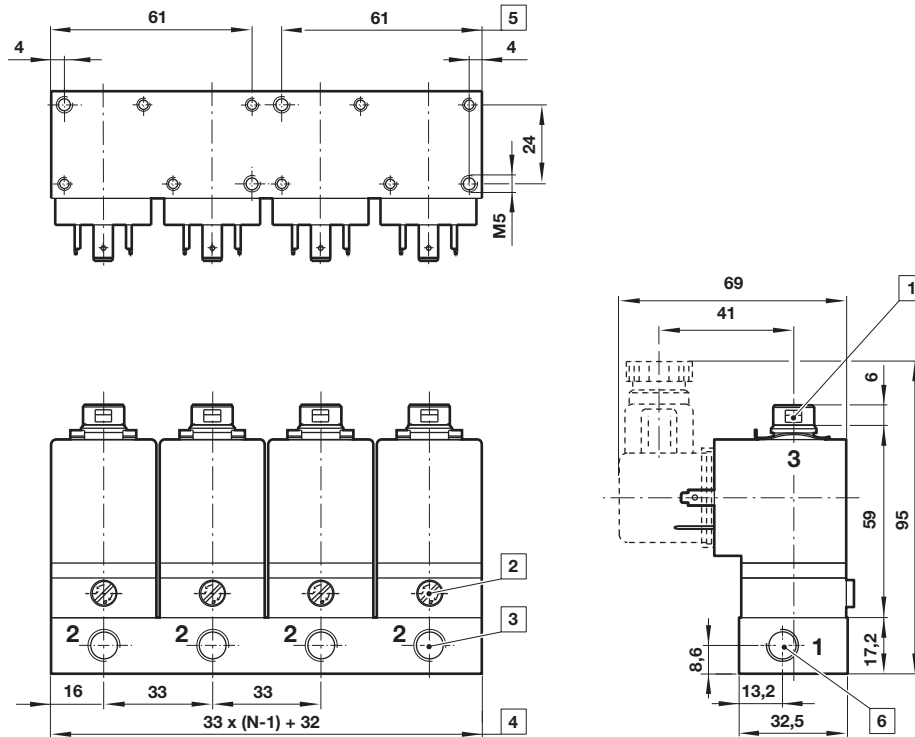
- 1 Port 3 (M5) with inserted diffuser
- 2 Manual override

**V03B, V04B and V05B models**  
**G1/4 valves**

3



**Manifold**  
**M/35596/\***

 Dimensions in mm  
 Projection/First angle


- 1 Port 3 (M5) with inserted diffuser
- 2 Manual override
- 3 Port 2 - G1/8 x 9,5 deep
- 4 N = number of stations
- 5 Two additional threads with five or more stations
- 6 Port 1, G1/8 x 10 deep

**Warning**

These products are intended for use in industrial compressed air systems only. Do not use these products where pressures and temperatures can exceed those listed under

**»Technical features/data«.**

Before using these products with fluids other than those specified, for non-industrial applications, life-support systems or other applications not within published specifications, consult IMI NORGREN.

Through misuse, age, or malfunction, components used in fluid power systems can fail in various modes.

The system designer is warned to consider the failure modes of all component parts used in fluid power systems and to provide adequate safeguards to prevent personal injury or damage to equipment in the event of such failure.

System designers must provide a warning to end users in the system instructional manual if protection against a failure mode cannot be adequately provided.

System designers and end users are cautioned to review specific warnings found in instruction sheets packed and shipped with these products.