

Pneumatically turning unit

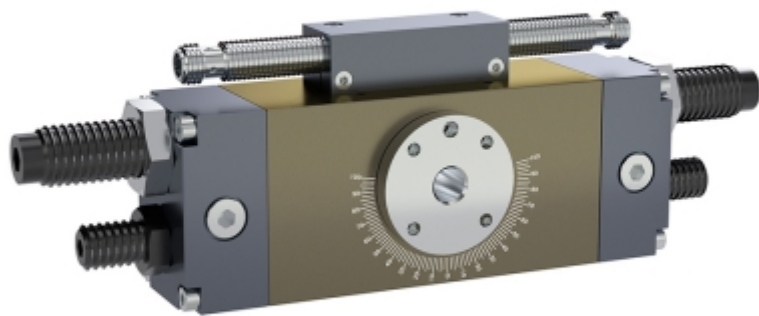
URS

[Download datasheet](#)

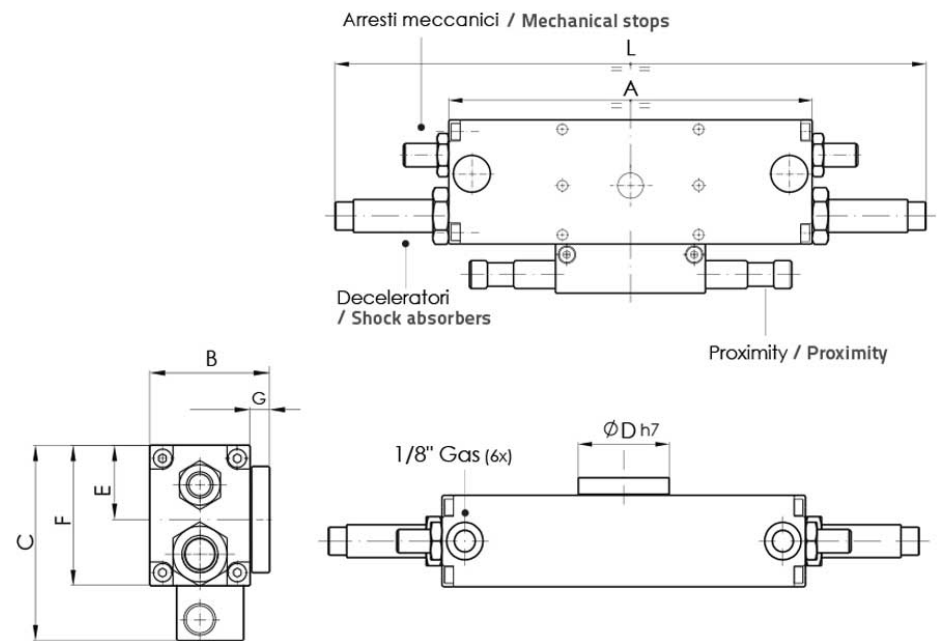
[3D download](#)

[To download, please login >>](#)

Product image



Technical drawing



Material: Body - Aluminium 6082 & Transmission - Nitrified Steel

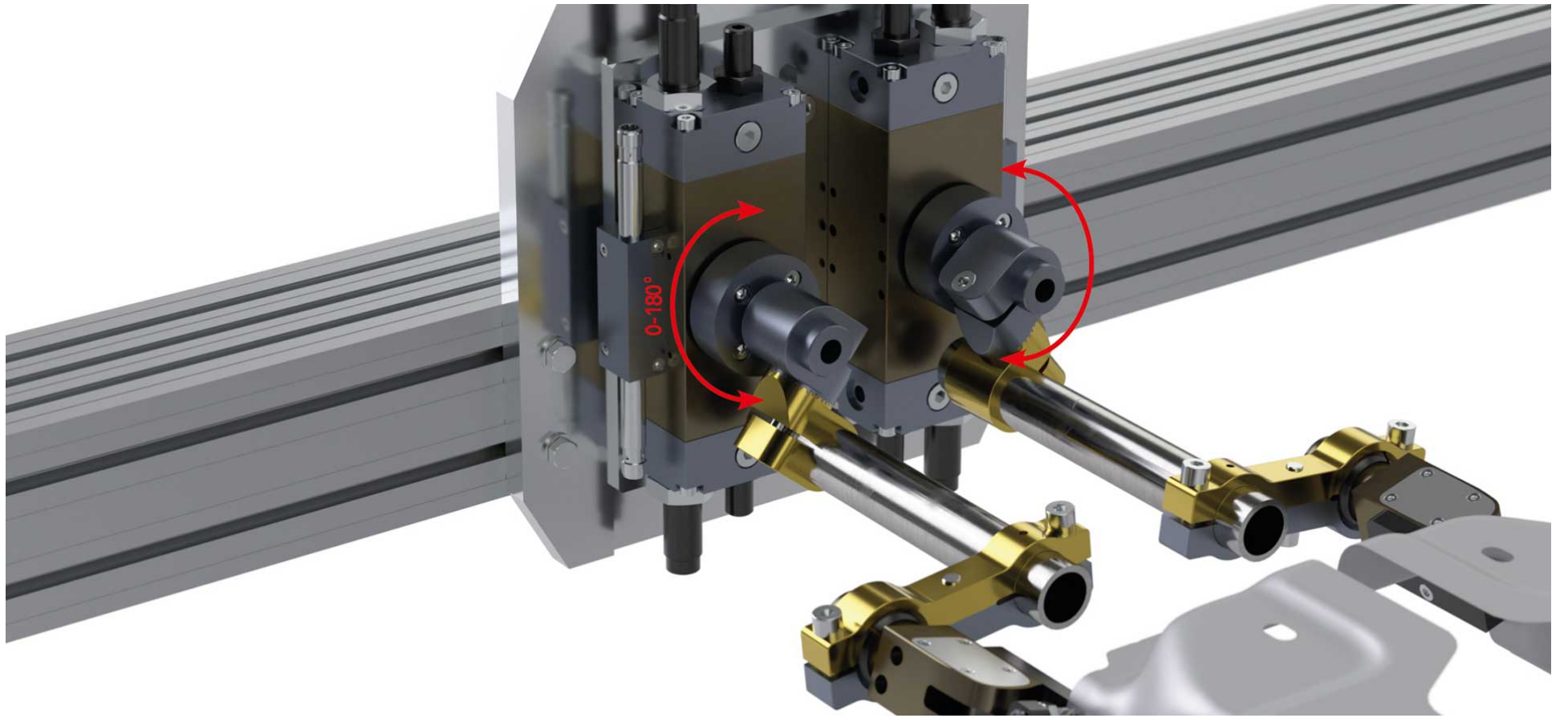
Treatment: Hard anodizing 50 µm

Bolts: included

Technical data

COD.	A	B	C	ØD	E	F	G	L (min)	L (max)	Weight (kg)
URS22-180	160	46,5	74	40	28	53	7,5	250	280	1,4
URS32-180	191	57	90	50	38	69	8	260	300	2

Application example



011.957.61.06
011.957.44.79
info@samecsrl.com



SAMEC SRL

VAT Id Nr.: IT05549590015
Rea Torino Nr. 717144
Share Capital € 150.000,00
Foreign operator Nr. To 070366

Awards and certifications

UNI EN ISO 9001:2015
QUALITY POLICY
PRIVACY POLICY
COOKIE POLICY
COOKIES PREFERENCES