

Lateral element - UMK-SE 11,25



2970002

<https://www.phoenixcontact.com/pc/products/2970002>

Please be informed that the data shown in this PDF document is generated from our Online Catalog. Please find the complete data in the user documentation. Our General Terms of Use for Downloads are valid.

Universal module, comprising: Side element, 11.25 mm wide, with marker groove



Commercial Data

Item number	2970002
Packing unit	10 pc
Minimum order quantity	10 pc
Product Key	ACHDCA
Catalog Page	Page 760 (C-1-2013)
GTIN	4017918087531
Weight per Piece (including packing)	6.15 g
Weight per Piece (excluding packing)	6.09 g
Customs tariff number	85389099
Country of origin	PL

Lateral element - UMK-SE 11,25

2970002

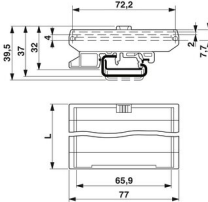
<https://www.phoenixcontact.com/pc/products/2970002>

Technical Data

Product properties

Product type	Panel mounting base side part
Product family	UMK SE
Type	Lateral element
Housing type	Press-drawn section housings
Ventilation openings present	no
Housing series	UMK

Dimensions

Dimensional drawing	
Depth	15.5 mm
Length	11.25 mm

External dimensions

Profile width (external)	77 mm
--------------------------	-------

Internal dimensions

Profile width (internal)	72.2 mm
--------------------------	---------

Material specifications

Color	green (6021)
Flammability rating according to UL 94	V2
Surface characteristics	untreated
Housing material	Polyamide

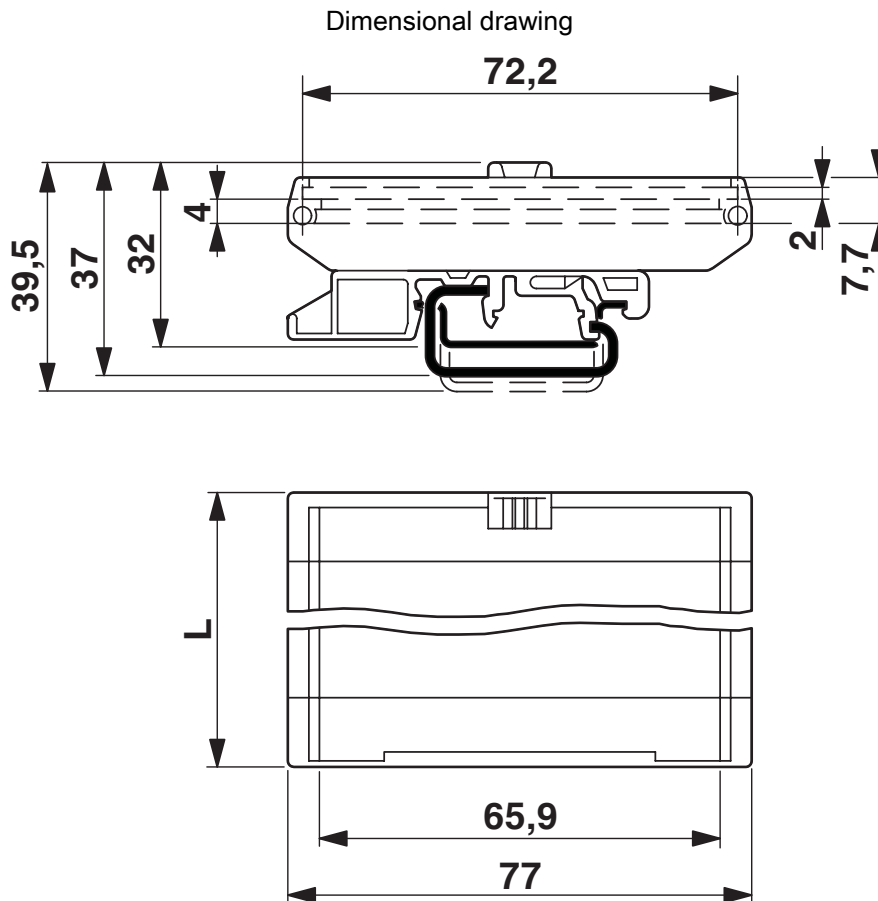
Lateral element - UMK-SE 11,25

2970002

<https://www.phoenixcontact.com/pc/products/2970002>



Drawings



Lateral element - UMK-SE 11,25

2970002

<https://www.phoenixcontact.com/pc/products/2970002>



Approvals



EAC

Approval ID: B.01687



UL Recognized

Approval ID: FILE E 240868

Lateral element - UMK-SE 11,25



2970002

<https://www.phoenixcontact.com/pc/products/2970002>

Classifications

ECLASS

ECLASS-9.0	27182701
ECLASS-10.0.1	27182701
ECLASS-11.0	27182701

ETIM

ETIM 8.0	EC002779
----------	----------

UNSPSC

UNSPSC 21.0	31261500
-------------	----------

Lateral element - UMK-SE 11,25



2970002

<https://www.phoenixcontact.com/pc/products/2970002>

Environmental Product Compliance

China RoHS	Environmentally friendly use period: unlimited = EFUP-e No hazardous substances above threshold values
------------	---

Phoenix Contact 2023 © - all rights reserved
<https://www.phoenixcontact.com>

PHOENIX CONTACT GmbH & Co. KG
Flachmarktstraße 8
D-32825 Blomberg
+49 (0) 5235-3 00
info@phoenixcontact.com