



Brand of NTN corporation

Technical data

UCP211

Bearing units

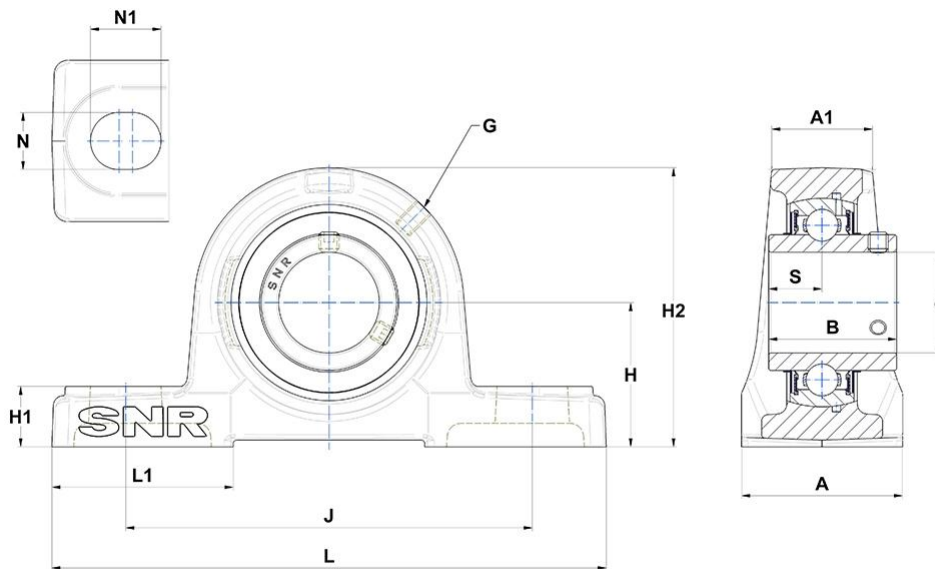


Grey cast housing, radial insert ball bearing with socket set screws, seal with slinger

KIT CONTENT

UC211G2, P211

VISUAL (S)



PRODUCT DEFINITION

Brand	SNR
A - Housing width	60 mm
A1 - Housing top width	40 mm
B - Width of Inner Ring	55,6 mm
d - Shaft diameter	55 mm
G - Grease fitting	M6x1

PRODUCT DEFINITION

H - Distance mounting base to centerline spheric. seating diam.	63,5 mm
H1 - Housing foot height	22 mm
H2 - Housing height	126 mm
J - Mounting holes distance	171 mm
L - Housing length	219 mm
L1 - Housing foot length	70 mm
N - Mounting hole dimension	20 mm
N1 - Mounting hole length	25 mm
S - Distance front side/bearing centre	22,2 mm

PRODUCT PERFORMANCE

C - Dynamic load rating	43,55 kN
C0 - Static load rating	29,2 kN
Operating temperature min.	-20 °C
Operating temperature max.	100 °C

OTHER FEATURES

Mass	3,72 kg
Recommended tightening torque for set screw	22 N-m