

FYH[®]

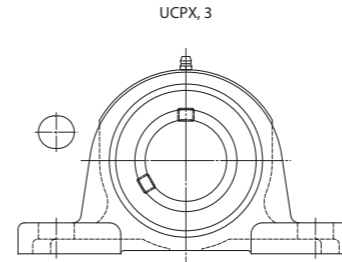
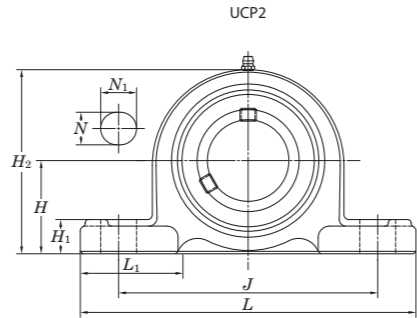
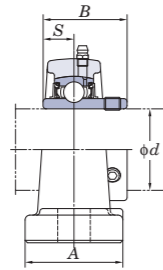
MOUNTED BEARING UNITS



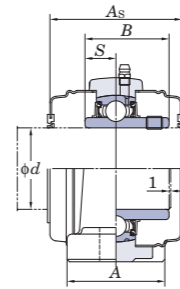
NIPPON PILLOW BLOCK CO., LTD.

CAT.NO.3320

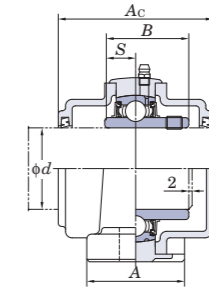
UCP
Cylindrical bore (with set screws)
d 12 ~ (45) mm



With Pressed Steel Cover



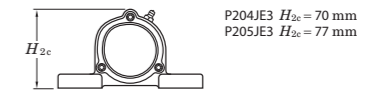
With Cast Iron Cover



Variations of tolerance of distance from mounting bottom to center of spherical bore (ΔH_{2c})

Housing No.		ΔH_{2c}
P203~P210	PX05~PX10	+0.15
P211~P218	PX11~PX18	+0.2
PX20	P319~P328	+0.3

Forms and dimensions of H_{2c} of P204JE3 and P205JE3 (housing with cast iron cover) are shown below.



Shaft Dia. mm inch	Dimensions inch mm												Bolt Size inch mm	Standard			Mass kg	Basic Load Ratings kN		Factor f_0	With Pressed Steel Cover				With Cast Iron Cover					
	H	L	A	J	N	N_1	H_1	H_2	L_1	B	S	Unit No.		Housing No.	Bearing No.	Unit No.		Dimension mm inch	Mass kg		Unit No.	Dimension mm inch	Mass kg							
12 15 17	1/2 5/8	1 3/16	5	1 1/2	3 3/4	1/2	23/32	5/8	2 3/8	1 13/32	1.220	0.500	3/8 M10	UCP201 UCP201-8 UCP202 UCP202-10 UCP203	P203	UC201 UC201-8 UC202 UC202-10 UC203	0.63 0.63 0.61 0.61 0.60	12.8	6.65	13.2	UCP201C	UCP201CD	45	1 25/32	0.63	—	—	—	—	
		—	—	—	—	—	—	—	—	—	—	—									—	—	—	—						
		UCP202C	UCP202CD	45	1 25/32	0.61	—	—	—	—	—	—									—	—	—	—	—					
		UCP203C	UCP203CD	45	1 25/32	0.60	—	—	—	—	—	—									—	—	—	—	—					
20	3/4	1 5/16	5	1 1/2	3 3/4	1/2	23/32	5/8	2 9/16	1 13/32	1.220	0.500	3/8 M10	UCP204-12 UCP204	P204	UC204-12 UC204	0.66 0.66	12.8	6.65	13.2	UCP204C	UCP204CD	45	1 25/32	0.66	UCP204FC	UCP204FCD	62	2 7/16	0.96
		—	—	—	—	—	—	—	—	—	—	—									—	—	—	—	—	—				
25	7/8 15/16 1	1 7/16	5 1/2	1 1/2	4 1/8	1/2	23/32	5/8	2 3/4	1 1/2	1.343	0.563	3/8 M10	UCP205-14 UCP205-15 UCP205 UCP205-16	P205	UC205-14 UC205-15 UC205 UC205-16	0.80 0.80 0.80 0.80	14.0	7.85	13.9	UCP205C	UCP205CD	49	1 15/16	0.80	UCP205FC	UCP205FCD	66	2 19/32	1.2
		—	—	—	—	—	—	—	—	—	—	—									—	—	—	—						
		UCPX05C	UCPX05CD	53	2 3/32	1.5	—	—	—	—	—	—									—	—	—	—	—					
		UCP305C	UCP305CD	76	3	2.3	—	—	—	—	—	—									—	—	—	—	—					
30	1 1/8 1 3/16 1 1/4	1 11/16	6 1/2	1 7/8	4 3/4	21/32	13/16	21/32	3 5/16	1 7/8	1.500	0.626	1/2 M14	UCP206-18 UCP206 UCP206-19 UCP206-20	P206	UC206-18 UC206 UC206-19 UC206-20	1.3 1.3 1.3	19.5	11.3	13.9	UCP206C	UCP206CD	53	2 3/32	1.3	UCP206FC	UCP206FCD	70	2 3/4	1.8
		—	—	—	—	—	—	—	—	—	—	—									—	—	—	—						
		UCPX06C	UCPX06CD	60	2 3/8	2.1	—	—	—	—	—	—									—	—	—	—	—					
		UCP306C	UCP306CD	82	3 7/32	2.8	—	—	—	—	—	—									—	—	—	—	—					
35	1 1/4 1 5/16 1 3/8 1 7/16	1 7/8	6 9/16	1 7/8	5	21/32	13/16	23/32	3 3/4	1 27/32	1.689	0.689	1/2 M14	UCP207-20 UCP207-21 UCP207-22 UCP207 UCP207-23	P207	UC207-20 UC207-21 UC207-22 UC207 UC207-23	1.6 1.6 1.6 1.6	25.7	15.4	13.9	UCP207C	UCP207CD	60	2 3/8	1.6	UCP207FC	UCP207FCD	78	3 1/16	2.3
		—	—	—	—	—	—	—	—	—	—	—									—	—	—	—						
		UCPX07C	UCPX07CD	69	2 23/32	2.7	—	—	—	—	—	—									—	—	—	—	—					
		UCP307C	UCP307CD	88	3 15/32	3.8	—	—	—	—	—	—									—	—	—	—	—					
40	1 1/2 1 9/16 1 1/2 1 1/2	1 5/16	7 1/4	2 1/8	5 13/32	21/32	13/16	23/32	3 27/32	2 3/32	1.937	0.748	1/2 M14	UCP208-24 UCP208-25 UCP208 UCP208	P208	UC208-24 UC208-25 UC208	2.0 2.0 2.0	29.1	17.8	14.0	UCP208C	UCP208CD	69	2 23/32	2.0	UCP208FC	UCP208FCD	86	3 3/8	2.8
		—	—	—	—	—	—	—	—	—	—	—									—	—	—	—						
		UCPX08C	UCPX08CD	69	2 23/32	3.5	—	—	—	—	—	—									—	—	—	—	—					
		UCP308C	UCP308CD	96	3 25/32	4.8	—	—	—	—	—	—									—	—	—	—	—					
45	1 5/8 1 11/16 1 3/4 1 11/16	2 1/8	7 15/32	2 1/8	5 3/4	21/32	13/16	25/32	4 3/16	2 5/32	1.937	0.748	1/2 M14	UCP209-26 UCP209-27 UCP209-28 UCP209	P209	UC209-26 UC209-27 UC209-28 UC209	2.2 2.2 2.2	34.1	21.3	14.0	UCP209C	UCP209CD	69	2 23/32	2.2	UCP209FC	UCP209FCD	88	3 15/32	3.0
		—	—	—	—	—	—	—	—	—	—	—									—	—	—	—						
		UCPX09C	UCPX09CD	74	2 29/32	3.7	—	—	—	—	—	—									—	—	—	—	—					
		UCP309C	UCP309CD	—	—	—	—	—	—	—	—	—									—	—	—	—	—					

Remarks 1. In Part No. of unit and units with covers, fitting codes follow bore diameter numbers. (See Table 10.5 in P.62.)
2. Part No. of applicable grease fittings are shown below.
A-1/4-28UNF 201~210, X05~X09, 305~308
A-R1/8..... 211~218, X10~X20, 309~328

3. As for the triple seal type product (from 201 to 205 are the double seal type products), suffix code L3 (or L2) follows the Part No. of unit or bearing. (Example of Part No.: UCP206JL3, UC206L3)
4. For the dimensions and forms of applicable bearings, see the dimensional tables of ball bearing for unit.
5. Representative examples of the forms of housing are indicated.
6. Housings of nodular graphite cast iron are also available.



**EXTRA
SOLID**

NIPPON PILLOW BLOCK CO., LTD.

HEAD OFFICE

2306 Hirao Mihara-ku Sakai Osaka 587-0022 Japan

TEL: +81-72-361-3750 FAX: +81-72-361-4173

www.fyhbearings.com

E-mail: info@fyhbearings.com

INTERNATIONAL DIVISION

E-mail: exports@fyh.co.jp

FYH BEARING UNITS USA INC.

13201 FYH Drive Huntley, Illinois 60142, USA

TEL: +1-847-487-9111 FAX: +1-847-487-9222

E-mail: sales@fyhusa.com

DOMESTIC BRANCHES IN JAPAN

Tokyo

Kase Building 116-5 F 1-3-49 Katsushima Shinagawa Tokyo 140-0012 Japan

TEL: +81-3-5767-7270 FAX: +81-3-5767-7280

E-mail: tokyo@fyh.co.jp

Nagoya

2-1-2 Niban Atsuta-ku Nagoya Aichi 456-0052 Japan

TEL: +81-52-652-1211 FAX: +81-52-652-0744

E-mail: nagoya@fyh.co.jp

Sapporo

E-mail: sapporo@fyh.co.jp

Fukuoka

E-mail: kyusyu@fyh.co.jp

Hiroshima

E-mail: fukuyama@fyh.co.jp

