



Brand of NTN corporation

Technical data

UCP.208

Bearing units

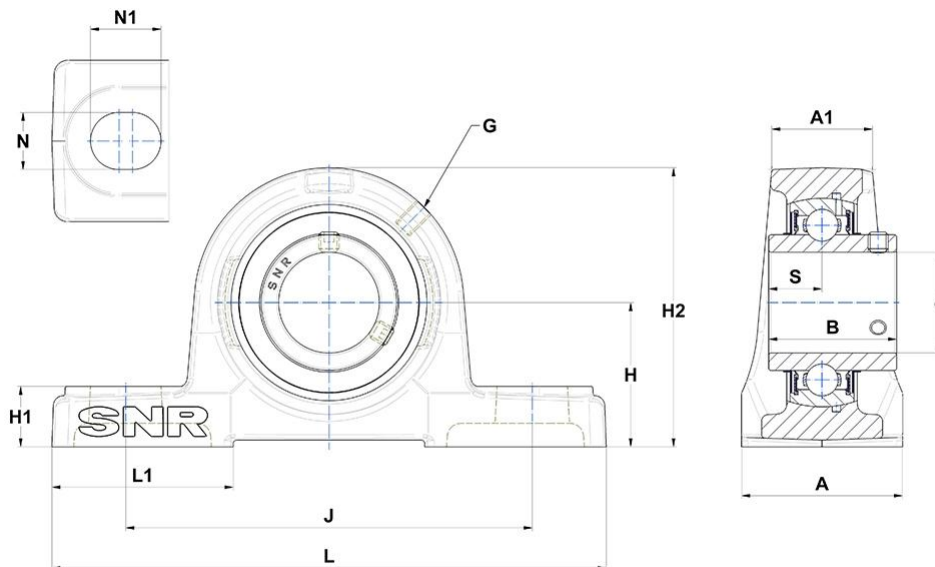


Grey cast housing, radial insert ball bearing with socket set screws, seal with slinger

KIT CONTENT

UC.208.G2, P208

VISUAL (S)



PRODUCT DEFINITION

Brand	SNR
A - Housing width	54 mm
A1 - Housing top width	34 mm
B - Width of Inner Ring	49,2 mm
d - Shaft diameter	40 mm
G - Grease fitting	M6x1

PRODUCT DEFINITION

H - Distance mounting base to centerline spheric. seating diam.	49,2 mm
H1 - Housing foot height	19 mm
H2 - Housing height	100 mm
J - Mounting holes distance	137 mm
L - Housing length	184 mm
L1 - Housing foot length	52 mm
N - Mounting hole dimension	17 mm
N1 - Mounting hole length	23 mm
S - Distance front side/bearing centre	19 mm

PRODUCT PERFORMANCE

C - Dynamic load rating	29,6 kN
C0 - Static load rating	18,2 kN
Operating temperature min.	-20 °C
Operating temperature max.	100 °C

OTHER FEATURES

Mass	2,14 kg
Recommended tightening torque for set screw	11.5 N-m