

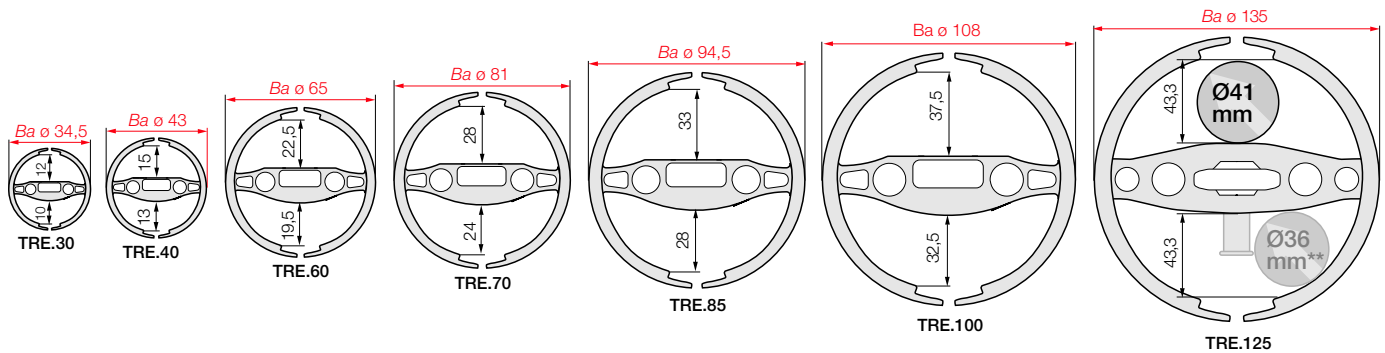
triflex® R | Series TRE | "Easy"-Design - simply press cables in

Standard	Series TRE Standard	Series TRE B-Version	Series TRE C-Version	Bi 1 [mm]	Bi 2 [mm]	Ba [mm]	R [mm]	d1** [mm]	d2** [mm]	Pitch [mm]	Links/m	Weight [kg/m]
	TRE.30. 050.0	-	-	12	10	34,5	050	10	8	11,3	89	≈ 0,26
	TRE.40. 058.0	TRE.40. 058.0.B	-	15	13	43	058	13	11	13,9	72	≈ 0,36
	TRE.60. 087.0	TRE.60. 087.0.B	-	22,5	19,5	65	087	20,5	17,5	20,4	49	≈ 0,83
	TRE.70. 110.0	TRE.70. 110.0.B	-	28	24	81	110	26	22	25,6	39	≈ 1,30
	TRE.85. 135.0	TRE.85. 135.0.B	-	33	28	94,5	135	31	26	30,6	33	≈ 1,67
	TRE.100.145.0	TRE.100.145.0.B	TRE.100.145.0.C	37,5	32,5	108	145	35,5	30,5	34,5	29	≈ 2,35
	TRE.125.182.0	-	X 1)	43,3	43,3	135	182	41	41 2)	44,6	23	≈ 4.40

1) TRE.125: C-version is standard!

2) Max. cable diameter Ø 41 mm. Max. cable diameter changes to Ø 36 mm only, if shortening/lengthening of a filled triflex® R is required

**For quick and easy insertion / removal of cables using the easy chain® principle, we recommend a maximum cable diameter of 70% of the specified value



Optional | B-version - 4 x higher torsion forces

NEW in this catalog



The advanced ball and socket connection now uses an additional arrester for even higher stability. Especially designed for heavy duty applications with high accelerations and top speeds. ● Up to 4 times stronger with improved bending radius strength ● Able to handle even higher torsion forces ● Made of only one single part per e-chain® link ► www.igus.eu/3Dstabil

Optional | C-version - quick assembly, 50% higher forces

NEW in this catalog



Now available with proven bolt connection for even faster assembly and disassembly ● Linear pull force capacity increased up to 4.000 N ● Up to 4 times stronger and improved bending radius strength ● C-version drastically reduces installation time ● Stronger lock for torsion limitation ● igubal® Spherical Bearing for non-slip traction ► www.igus.eu/3Dstabil

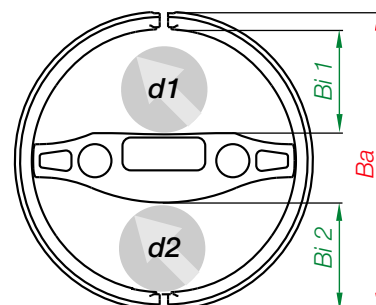
Order key



TRE. 100. 145. 0. B/C



Optional **B/C**-version
 Standard color black
 Bending radius **R**
 Width index Ø
 Series / "Easy"-design



TRE - "Easy"-design, with **Bi 40** mm inner width and **R 058** mm radius, color black = Part No. **TRE.40.058.0**