

# Red Spot offset bolted tags fuse links



## Product description

Eaton's Bussmann® series Red Spot offset bolted tags BS fuse links (in sizes A1 to A4) are specifically designed for the protection of general industrial applications, e.g. power distribution, cable protection, motor protection.

## Features

- Good peak and let-through current limitation
- 1:1.6 Selective coordinate ratio between 'minor' and 'major' fuse
- gM type offer enhanced motor starting capability
- Power loss values well within the limits of IEC 60269-2

**Catalogue symbol:**

- NIT(amp)
- NET(amp)
- TIA(amp)
- TIS(amp)
- TCP(amp)
- TFP(amp)

**Standard/Agency information:**

- BS88-2
- IEC 60269-2

**Breaking range and utilisation category:**

- gG
- gM

**Technical data:**

- Breaking capacity: AC: ASTA 20 certified to 80 kA, generally at 660 Volts a.c. to BS88-2 1988 (IEC 60269-2)
- Minimum interrupting rating:  $1.6 \times I_n$

**Packaging:**

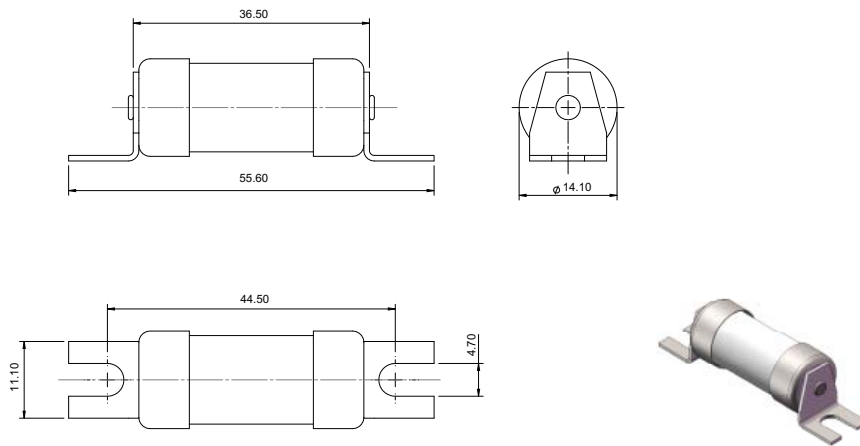
- NIT, NET, TIA and TIS: 20
- TCP and TFP: 10

Red Spot offset bolted tags fuse links

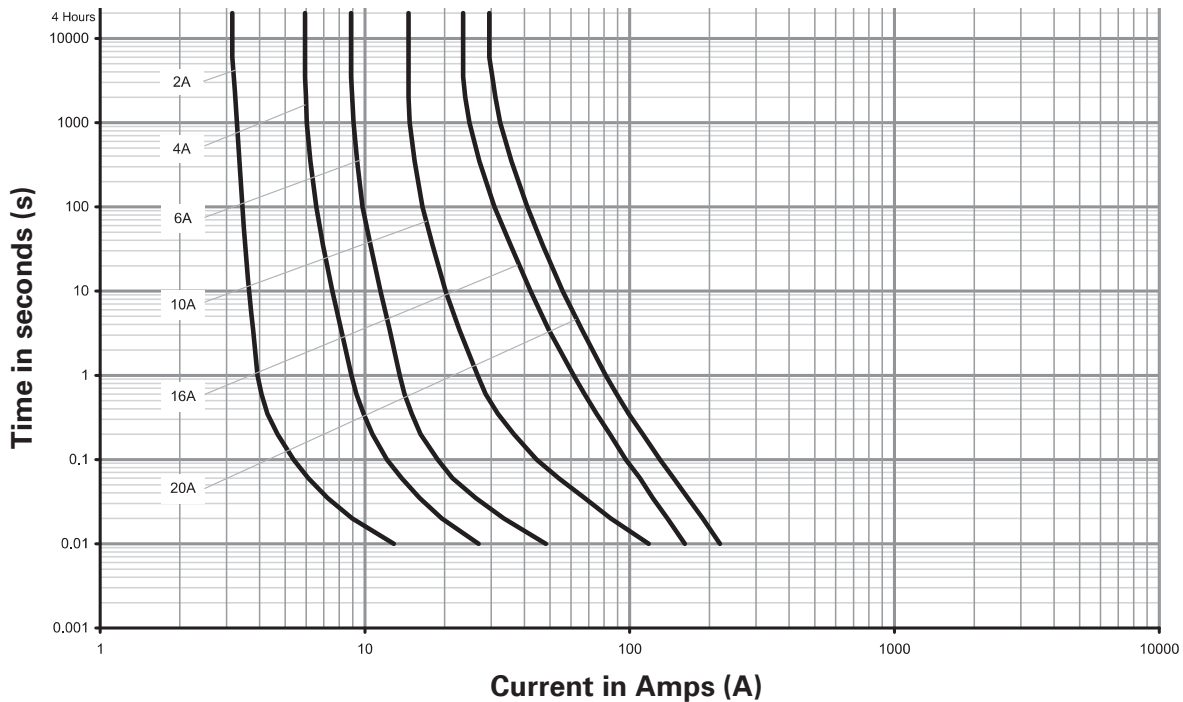
NIT

Catalogue numbers	Rated voltage	Rated current (Amps)	BS Reference	Breaking capacity	Operating class	I <sup>2</sup> t (A <sup>2</sup> s)		Fixing centre (mm)	Pack quantity	Alternative fuse links	Compatible fuse holders
						Pre-arcing	Total at rated voltage				
NIT2	550 V a.c./ 250 V d.c.	2	A1	80 kA	gG	2.2	15	44	20	NITD	RS20 or CM32FC
NIT4		4	A1	80 kA	gG	7.2	50				
NIT6		6	A1	80 kA	gG	22	150				
NIT10		10	A1	80 kA	gG	170	1000				
NIT16		16	A1	80 kA	gG	200	1350				
NIT20		20	A1	80 kA	gG	360	2200				

Dimensions - mm



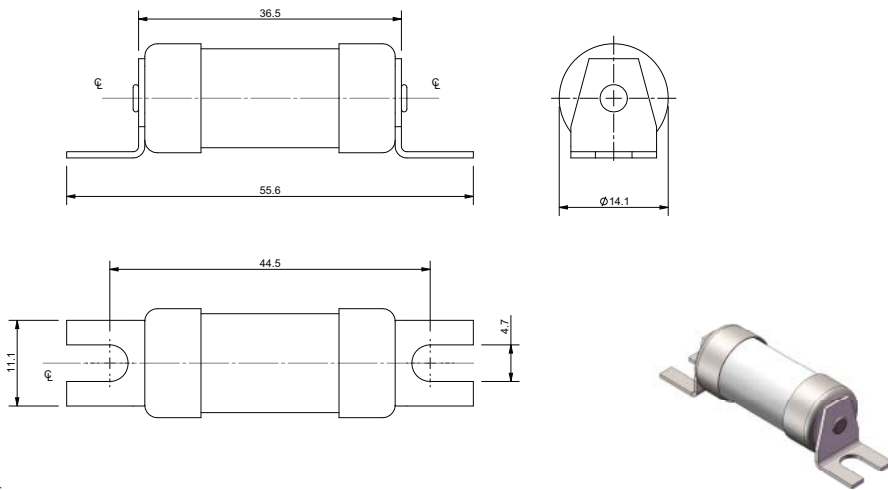
Time current curve



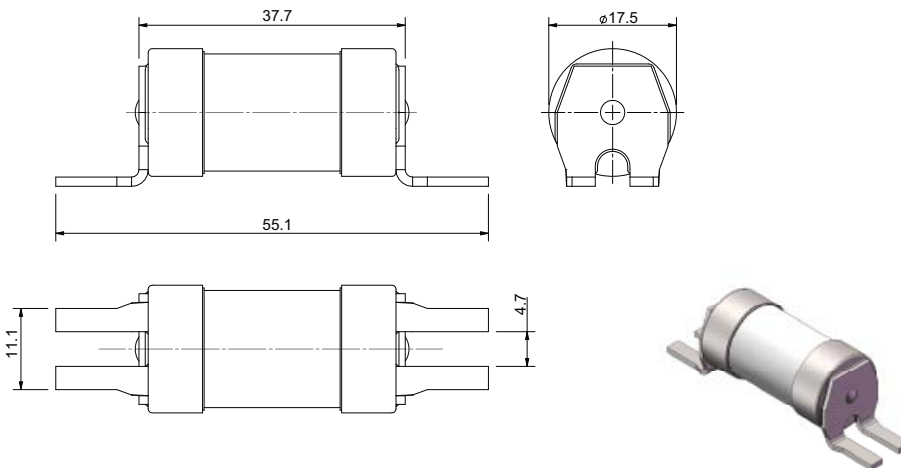
NET

Catalogue numbers	Rated voltage	Rated current (Amps)	BS Reference	Breaking capacity	Operating class	I <sup>2</sup> t (A <sup>2</sup> s)		Fixing centre (mm)	Pack quantity	Alternative fuse links	Compatible fuse holders
						Pre-arcing	Total at rated voltage				
NET25	440 V a.c./ 250 V d.c.	25	A1	80 kA	gG	650	2900	44	20	NITD	CM32FC
NET32		32	A1	80 kA	gG	600	4050				
NET32M40	32M40	A1	80 kA	gM	2400	12,000					
NET32M50	32M50	A1	80 kA	gM	3200	15,000					
NET32M63	32M63	A1	80 kA	gM	5400	25,000					

Dimensions - mm



NET25 and NET32

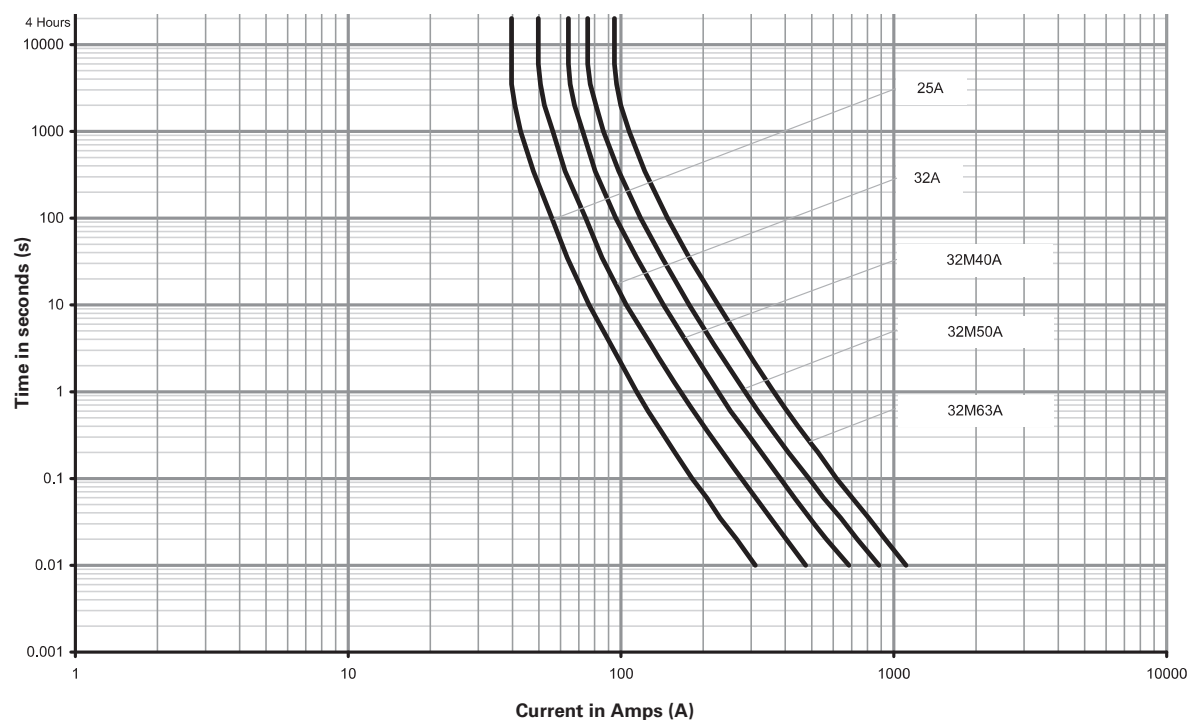


NET32M

Red Spot offset bolted tags fuse links

NET

Time current curve

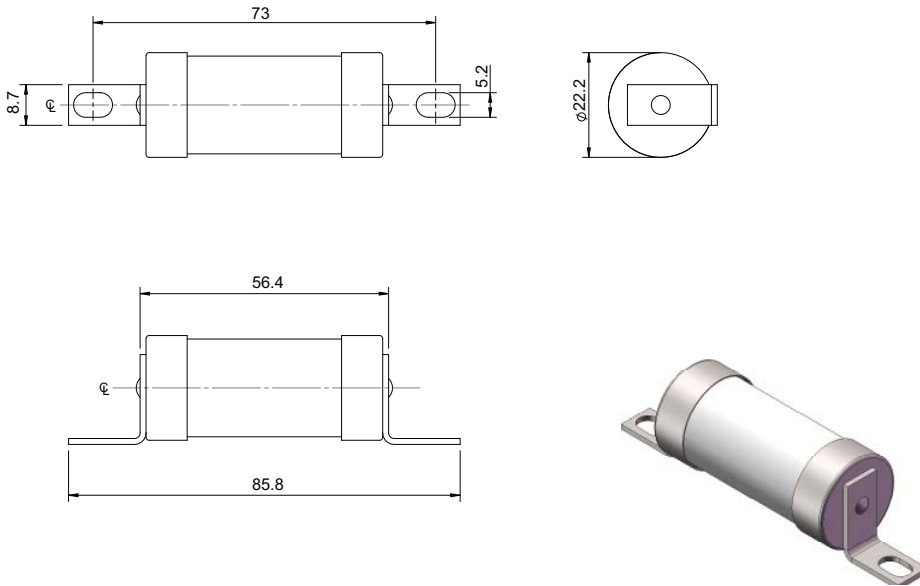


TIA

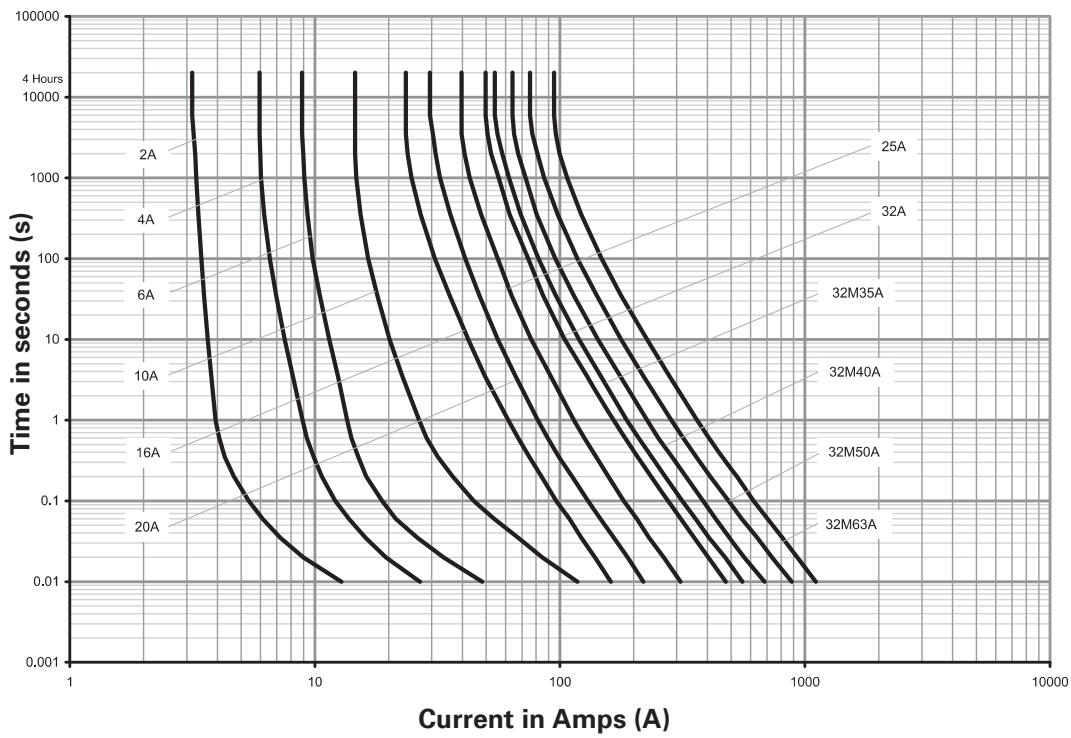
Catalogue numbers	Rated voltage	Rated current (Amps)	BS Reference	Breaking capacity	Operating class	I <sup>2</sup> t (A <sup>2</sup> s)		Fixing centre (mm)	Pack quantity	Alternative fuse links	Compatible fuse holders
						Pre-arcing	Total at rated voltage				
TIA2	660-690 V a.c./ 460 V d.c.	2	A2	80 kA	gG	2	15	73	20	H07-660	CM32F or RS32
TIA4		4	A2	80 kA	gG	7	50				
TIA6		6	A2	80 KA	gG	22	150			AAO at 550 V a.c.	
TIA10		10	A2	80 kA	gG	170	1000				
TIA16		16	A2	80 KA	gG	150	1100				
TIA20		20	A2	80 kA	gG	300	1670				
TIA25		25	A2	80 KA	gG	500	3400				
TIA32		32	A2	80 kA	gG	1080	5900				
TIA32M35		32M35	A2	80 KA	gM	1380	6500				
TIA32M40		32M40	A2	80 KA	gM	1920	8380				
TIA32M50		32M50	A2	80 kA	gM	3410	13260				
TIA32M63		32M63	A2	80 KA	gM	6500	25000				

TIA

Dimensions - mm



Time current curve

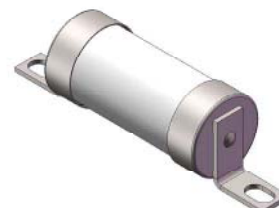
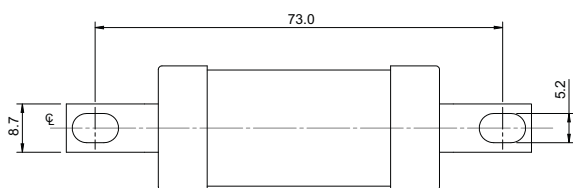
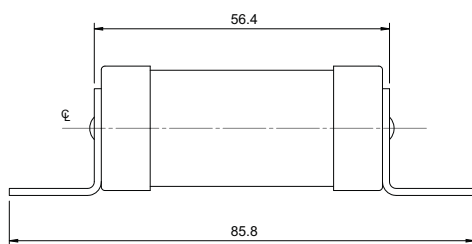


Red Spot offset bolted tags fuse links

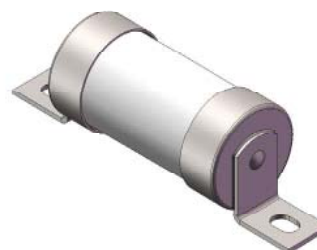
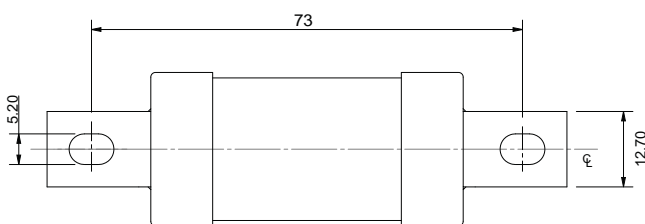
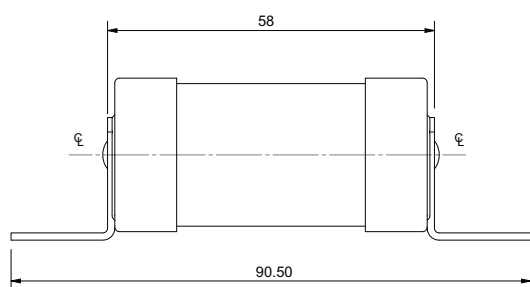
TIS

Catalogue numbers	Rated voltage	Rated current (Amps)	BS Reference	Breaking capacity	Operating class	I <sup>2</sup> t (A <sup>2</sup> s)		Fixing centre (mm)	Pack quantity	Alternative fuse links	Compatible fuse holders
						Pre-arcing	Total at rated voltage				
TIS35	660-690 V a.c./ 460 V d.c.	35	A3	80 kA	gG	1380	6500	73	20	K07-660	RS63H or CM63F
TIS40		40	A3	80 kA	gG	1920	8380				
TIS50		50	A3	80 kA	gG	3410	13260				
TIS63		63	A3	80 kA	gG	6500	25000			BA0 at 550 V a.c.	
TIS63M80		63M80	A3	80 kA	gM	14000	66000				
TIS63M100		63M100	A3	80 kA	gM	17000	100000				

Dimensions - mm



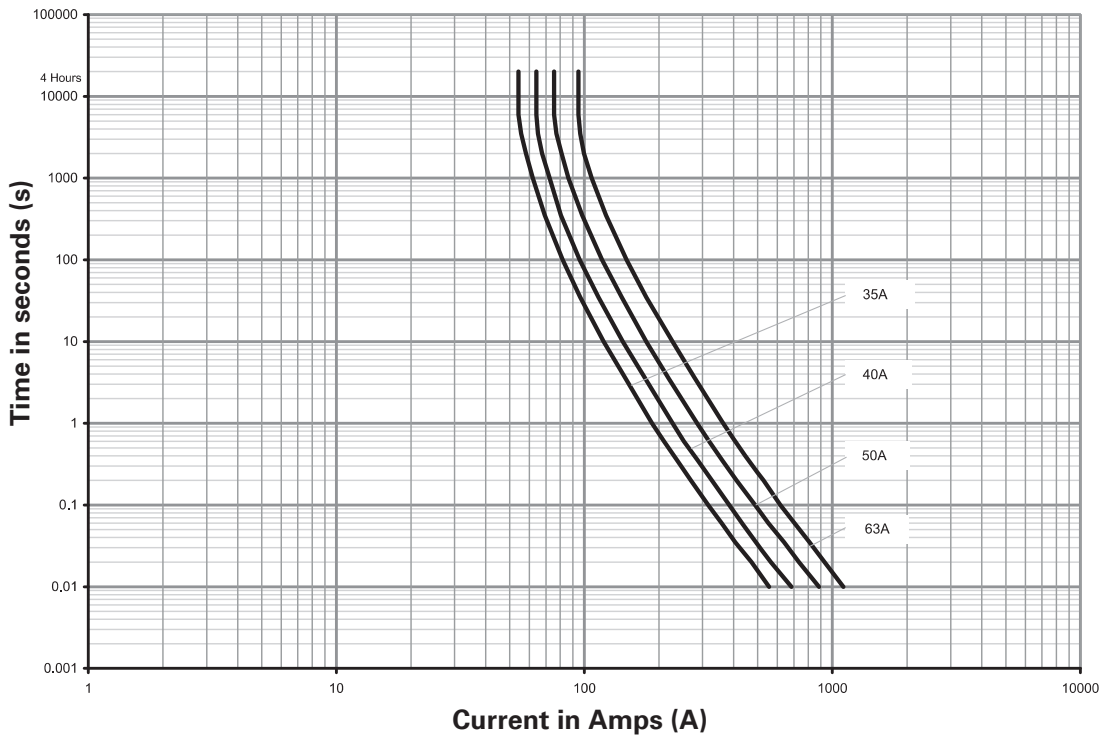
TIS35 to TIS63



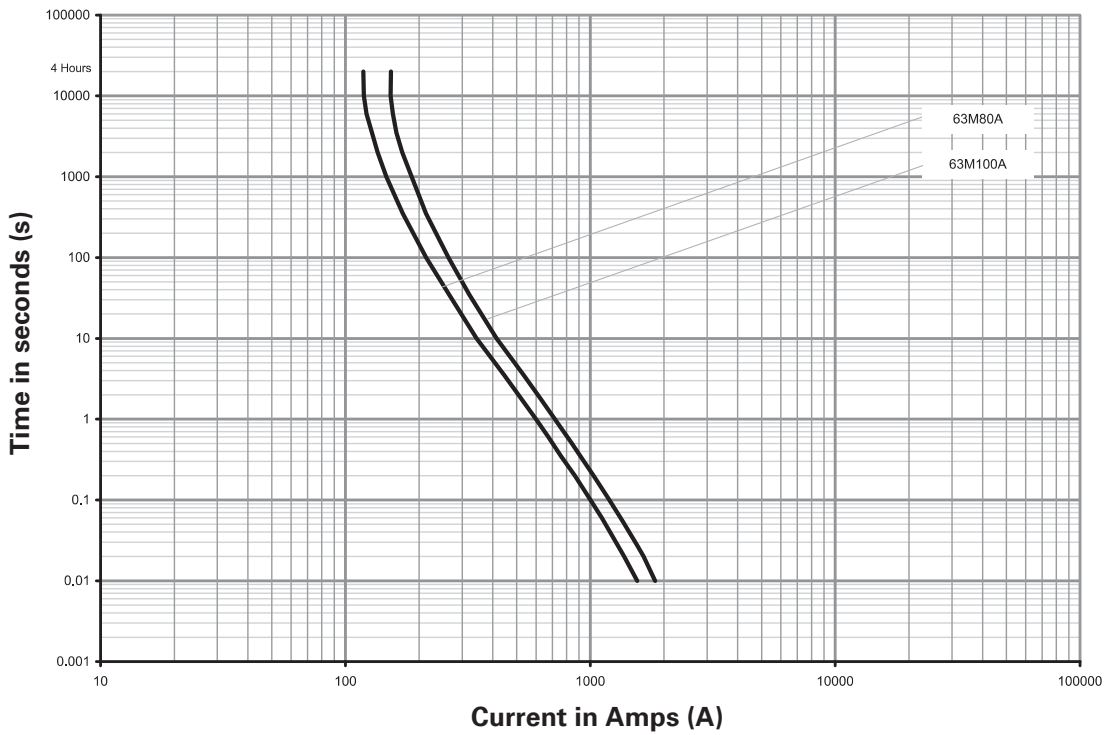
TIS63M80 and TIS63M100

TIS

Time current curve



TIS35 to TIS63 A



TIS63M80 and TIS63M100

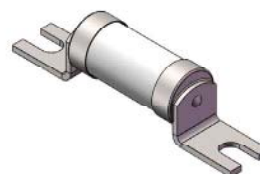
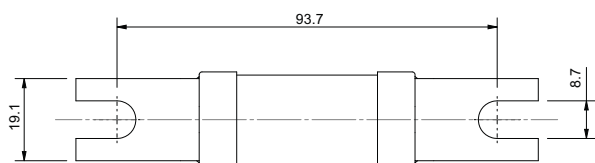
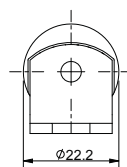
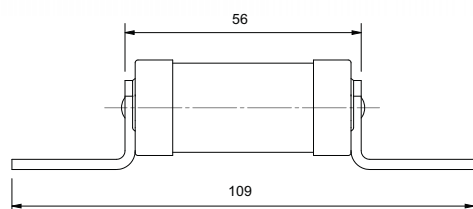


Red Spot offset bolted tags fuse links

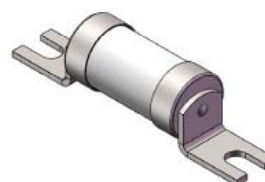
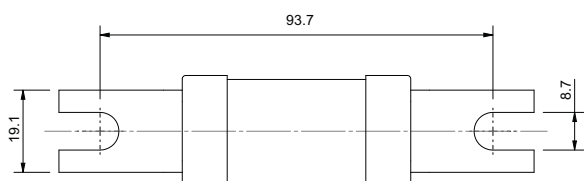
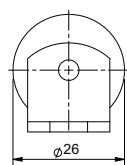
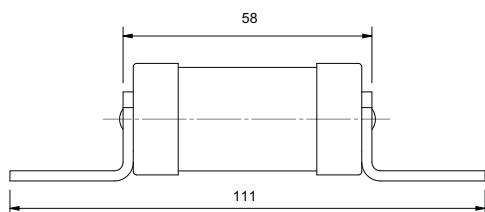
TCP

Catalogue numbers	Rated voltage	Rated current (Amps)	BS Reference	Breaking capacity	Operating class	I <sup>t</sup> (A <sup>2</sup> s)		Fixing centre (mm)	Pack quantity	Alternative fuse links	Compatible fuse holders
						Pre-arcing	Total at rated voltage				
TCP32	660-690 V a.c./ 460 V d.c.	32	A4	80 kA	gG	1080	5900	94	20	L14-660	RS100H
TCP40		40	A4	80 kA	gG	1920	8380				
TCP50		50	A4	80 kA	gG	3410	13260				
TCP63		63	A4	80 kA	gG	6500	25000				
TCP80	6690-690 V a.c./ 350 V d.c.	80	A4	80 kA	gG	14000	66000			CEO at 550 V a.c.	
TCP100		100	A4	80 kA	gG	17000	100000				
TCP100M125		100M125	A4	80 kA	gM	25000	140000				
TCP100M160		100M160	A4	80 kA	gM	62000	270000				
TCP100M200		100M200	A4	80 kA	gM	105000	430000				

Dimensions - mm



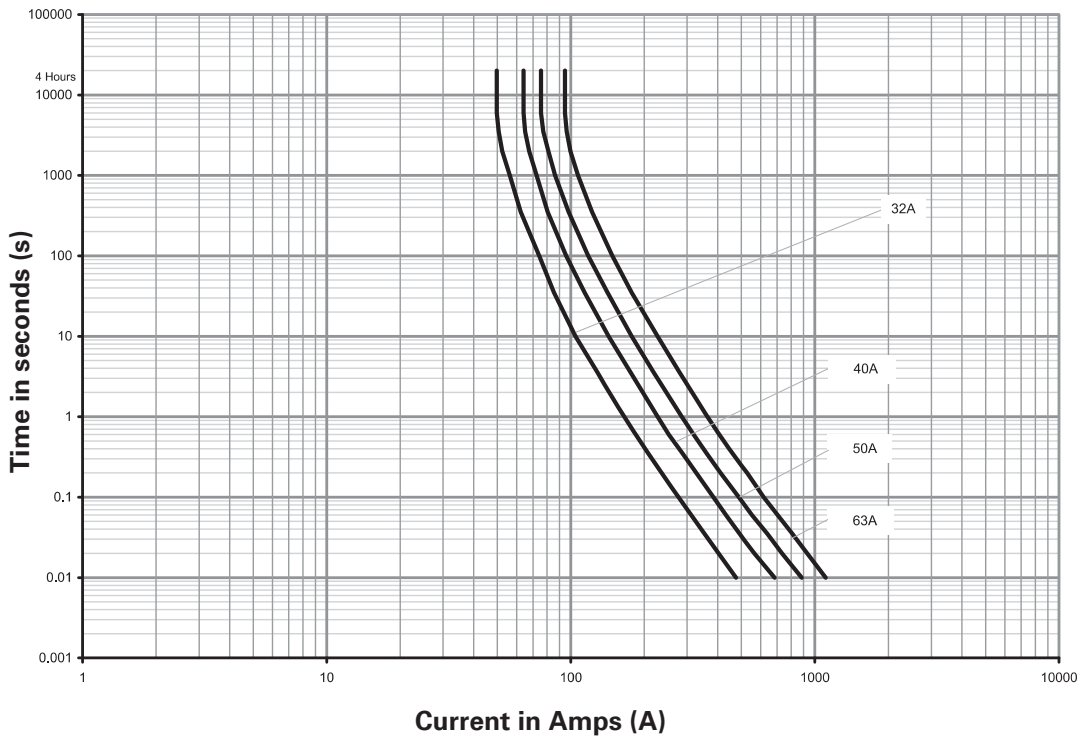
TCP32 to TCP63



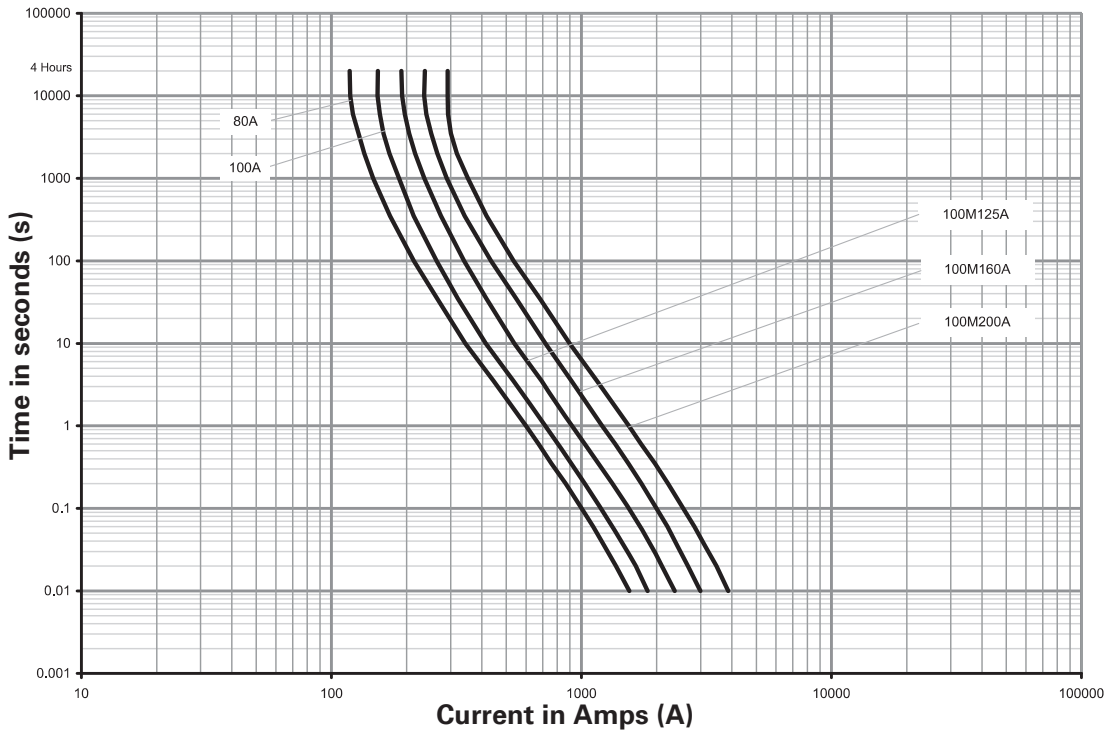
TCP80 and TCP100

TCP

Time current curve



TCP32 to TCP63 A



TCP80 to TCP100M200