



SZ-VB01

Adjustable angle mounting bracket (horizontal)

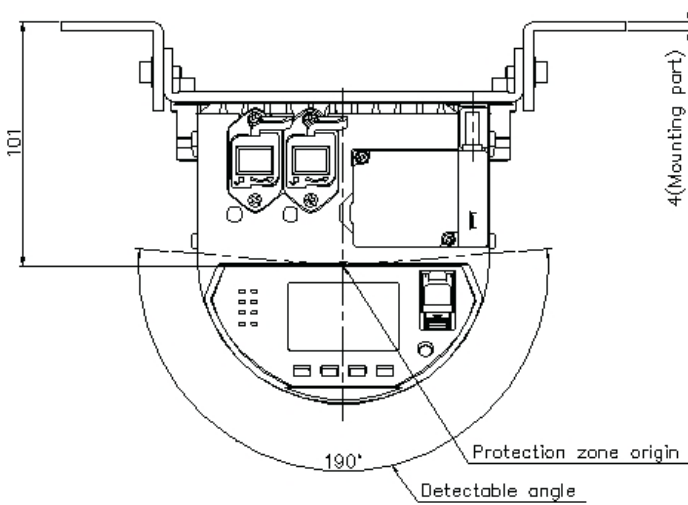
SPECIFICATIONS

Model	SZ-VB01
Type	Mounting bracket
Applicable product	SZ-V Series
Number included	1
Material	SPHC
Note	Accessories: M5 screw x 4
Weight	Approx. 900 g

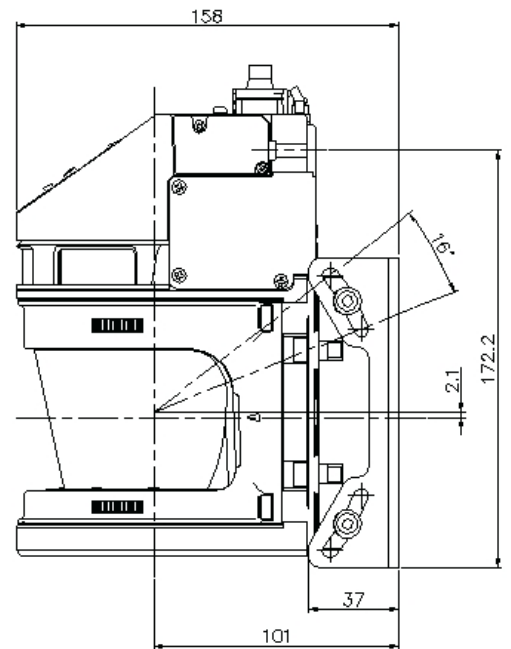
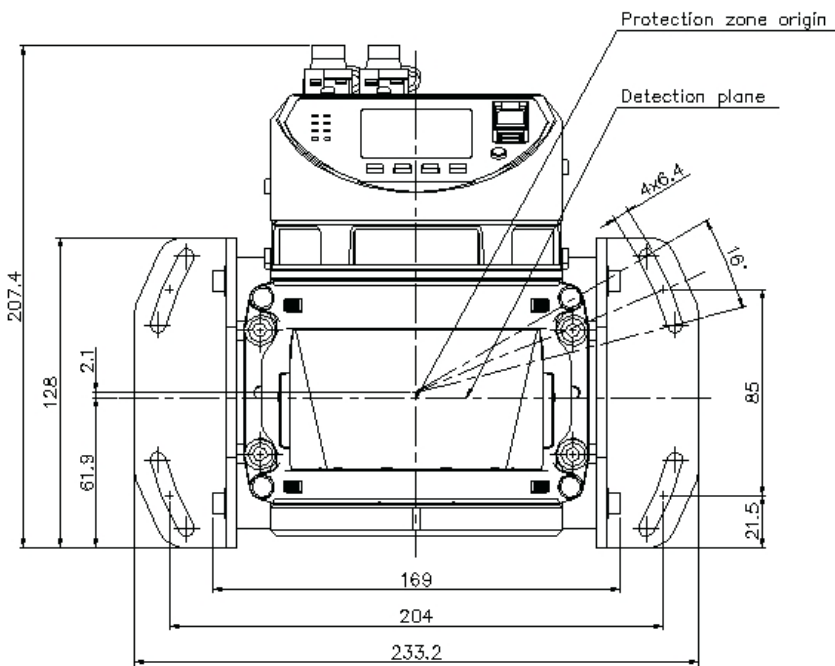
Dimensions

* Download CAD file or product manual for larger image/text and more detail.

sz-v32n_x_vb01_dimension_01.gif

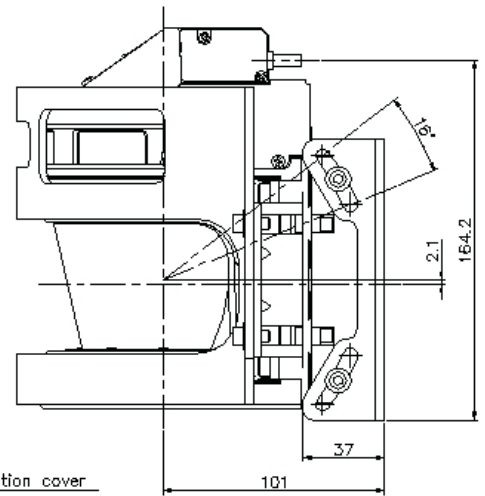
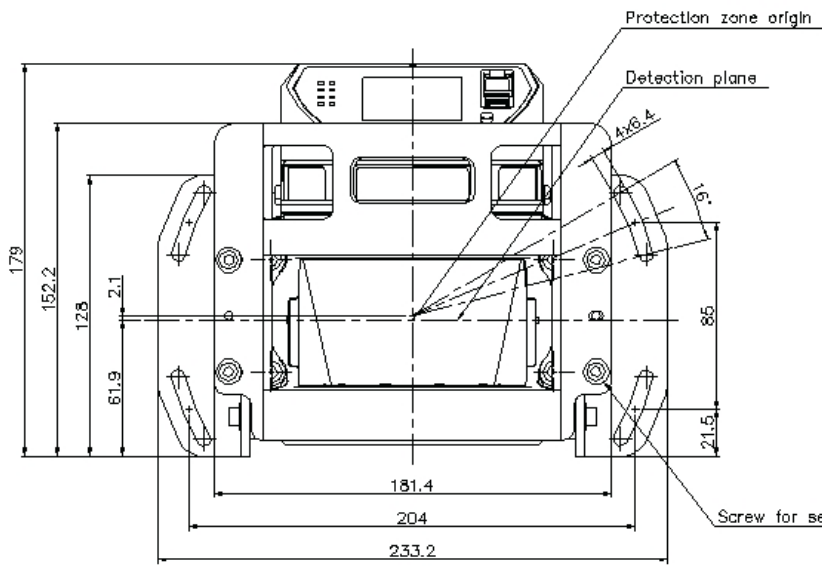
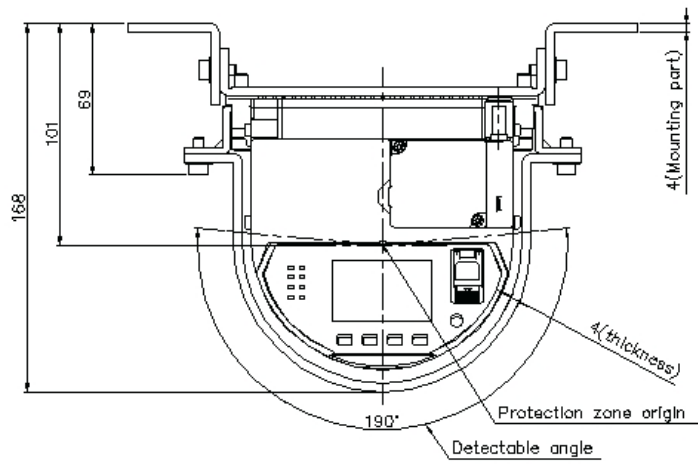


SZ-V32N(X)+SZ-VB01



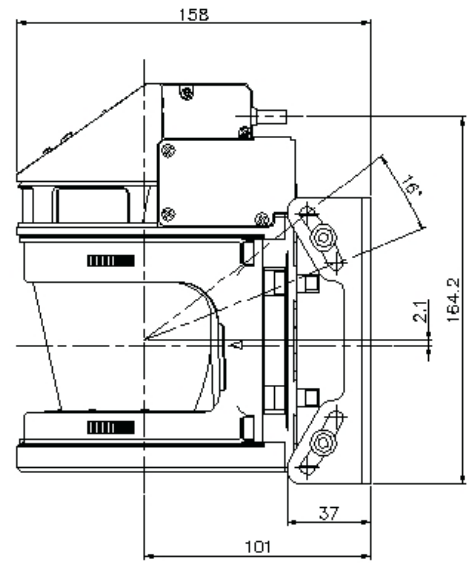
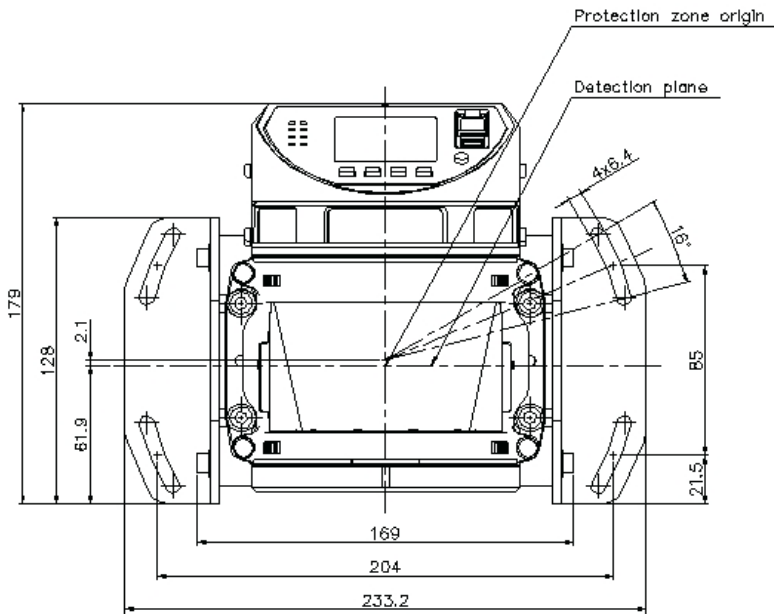
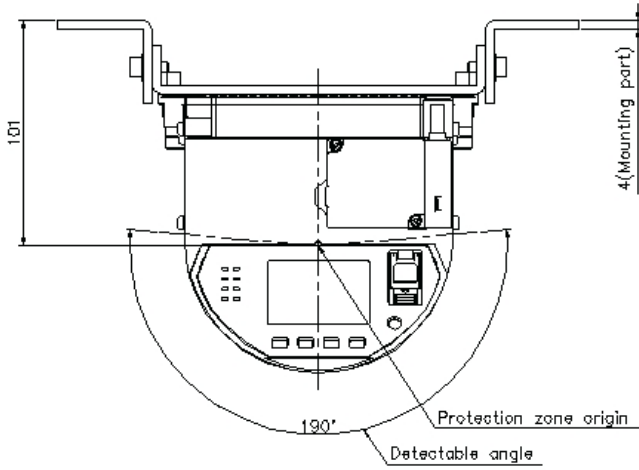
szv04_32_b01_b21_dimension_01.gif

SZ-V04(X)_V32(X)+SZ-VB01+SZ-VB21



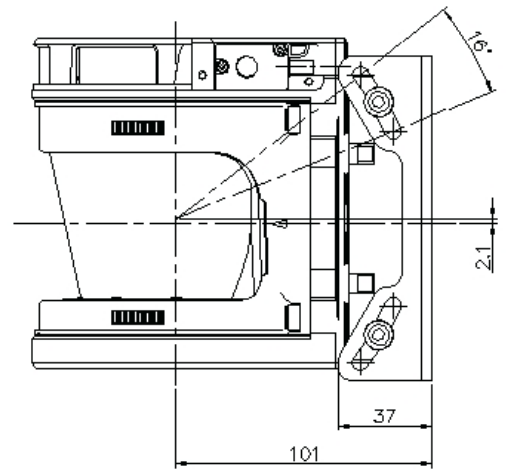
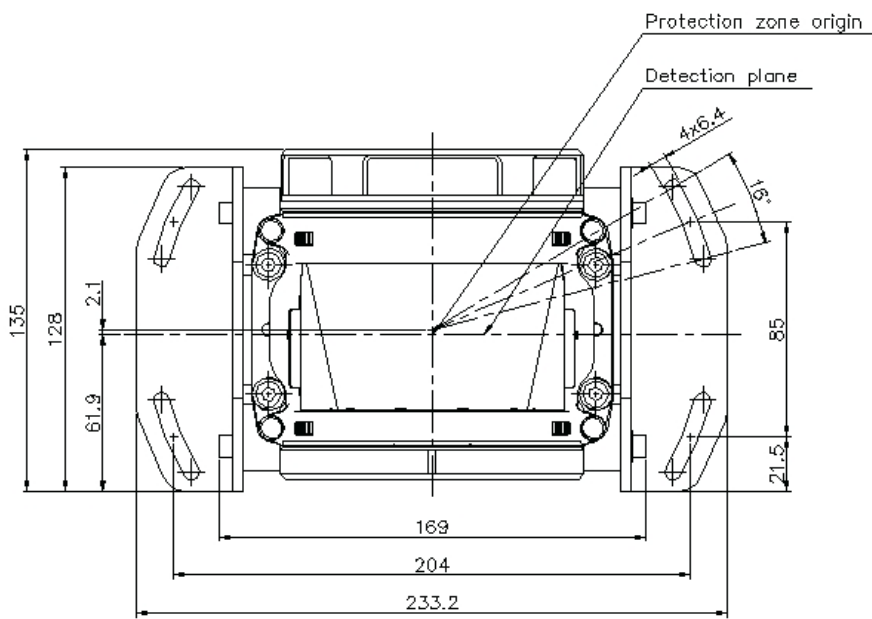
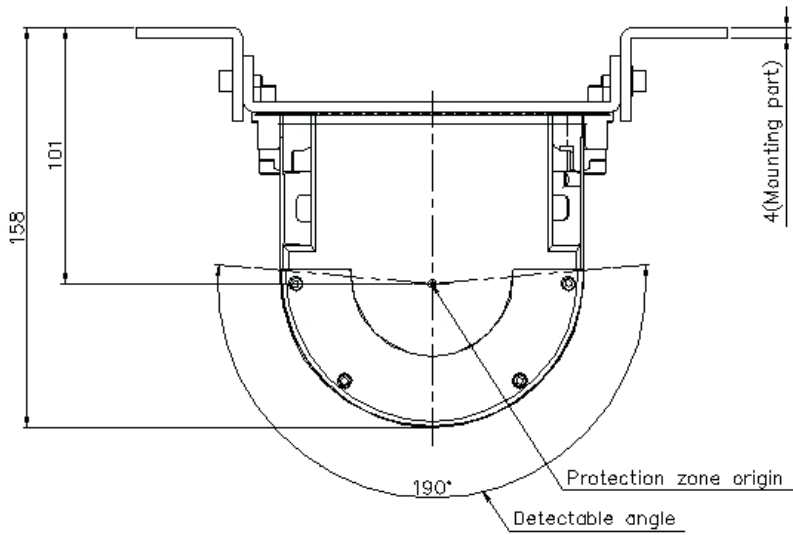
szv04_v32_x_vb01_dimension_01.gif

SZ-V04(X)_V32(X)+SZ-VB01



szvh1_vh1x_vb01_dimension_01.gif

SZ-VH1(X)+SZ-VB01



szvh1_x_vb01_21_dimension_01.gif

SZ-VH1(X)+SZ-VB01+SZ-VB21

