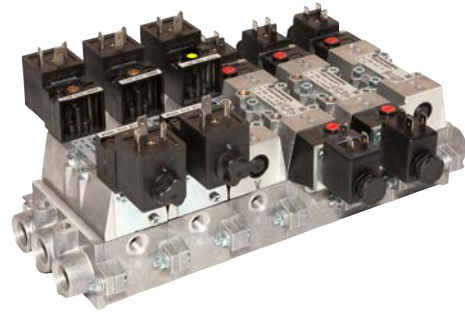


- > Sub-base mounted, ISO 5599-1 sizes 1, 2 or 3
- > Specially coated glandless spool and sleeve for long trouble-free life
- > Integral flow regulators available on ISO 1 and 2 sizes for cylinder speed control
- > Low power solenoids feature
- > Manual override as standard
- > Impulse actuated bistable valve with detent mechanism
- > Wide range of sub-bases and accessories



### Technical features

**Medium:**

Compressed air, 40 µm filtered, lubricated or non-lubricated

**Operation:**

Glandless spool valve, solenoid pilot or air pilot actuated

**Mounting:**

On sub-bases

**Sizes:**

ISO 1, 2 and 3

**Maximum operating pressure:**

Solenoid valves; 10 (145 psi) or 16 bar (232 psi)

depending on solenoid pilot operator

Air pilot operated valves; 16 bar (232 psi)

Refer to technical specification table for details

**Ambient/Media temperature:**

Solenoid pilot actuated valves

-15 ... +50°C (+5 ... 122°F)

Air pilot actuated valves

-15 ... +80°C (+5 ... 176°F)

Air supply must be dry enough to avoid ice formation at temperatures below +2°C (+35°F).

**Materials:**

Body: die-cast aluminium

Spool & sleeve: hard anodised aluminium with special PTFE coating

Seals: NBR

Locking plate: die-cast zinc or steel

blue zinc coated

Screws: steel, blue zinc coated

Plastic parts: POM

Flow regulators: brass

### Electrical details for solenoid operators

<b>Voltage tolerance</b>	± 10%		
<b>Rating</b>	100% continuous duty		
<b>Inlet orifice</b>	1,0 mm		
<b>Electrical connection (corresponding to choosen coil)</b>	EN 175301-803 - Form A, 30 mm		
	EN 175301-803 - Form B, 22 mm		
	Industrial Standard, 22 mm		
<b>Solenoid coil mounting</b>	Four positions x 90°		
<b>Manual override</b>	End solenoid models	Push and turn to lock (plastic)	# = 0
		Push only (plastic)	# = 1
	CNOMO solenoid models	Push and turn to lock (plastic)	# = 0
		Push only (brass)	# = 1
<b>Protection class</b>	IP 65 (with sealed plug)		

**5/2 Solenoid pilot actuated valves - 10 bar solenoid pilot pressure**

Symbol	ISO size	Flow regulator	Actuation	Pilot supply	Flow (l/min)	Operating pressure (bar)	Pilot pressure (bar)	Weight (kg)	Drawing No.	Model End solenoid actuated valves	CNOMO solenoid actuated valves
	1	—	Solenoid/air spring	Internal	1230	1 ... 10	—	0,33	1 & 3	SXE9573-A70-0#-*1)	SXE9573-Z70-6#-*1)
	2	—	Solenoid/air spring	Internal	2450	1 ... 10	—	0,59	1 & 3	SXE9574-A70-0#-*1)	SXE9574-Z70-6#-*1)
	3	—	Solenoid/air spring	Internal	4400	1 ... 10	—	0,85	1 & 3	SXE9575-A70-0#-*1)	SXE9575-Z70-6#-*1)
	1	Built-in	Solenoid/air spring	Internal	1230	1 ... 10	—	0,33	1 & 3	SXE9573-A80-0#-*1)	SXE9573-Z80-6#-*1)
	2	Built-in	Solenoid/air spring	Internal	2450	1 ... 10	—	0,59	1 & 3	SXE9574-A80-0#-*1)	SXE9574-Z80-6#-*1)
	2	Built-in	Solenoid/air spring	Internal	2450	1 ... 10	—	0,59	1 & 3	SXE9574-A80-0#-*1)	SXE9574-Z80-6#-*1)
	1	—	Solenoid/air spring	External *3)	1230	-0,9 ... 16	1 ... 10	0,33	1 & 3	SXE9573-A75-0#-*1)	SXE9573-Z75-6#-*1)
	1	Built-in	Solenoid/air spring	External *3)	1230	-0,9 ... 16	1 ... 10	0,33	1 & 3	SXE9573-A85-0#-*1)	SXE9573-Z85-6#-*1)
	2	—	Solenoid/air spring	External *3)	2450	-0,9 ... 16	1 ... 10	0,59	1 & 3	SXE9574-A75-0#-*1)	SXE9574-Z75-6#-*1)
	3	—	Solenoid/air spring	External *3)	4400	-0,9 ... 16	1 ... 10	0,85	1 & 3	SXE9575-A75-0#-*1)	SXE9575-Z75-6#-*1)
	2	Built-in	Solenoid/air spring	External *3)	2450	-0,9 ... 16	1 ... 10	0,59	1 & 3	SXE9574-A85-0#-*1)	SXE9574-Z85-6#-*1)
	2	Built-in	Solenoid/air spring	External *3)	2450	-0,9 ... 16	1 ... 10	0,59	1 & 3	SXE9574-A85-0#-*1)	SXE9574-Z85-6#-*1)
	1	—	Solenoid/spring	Internal	1230	1,8 ... 10	—	0,33	1 & 3	SXE9573-A71-0#-*1)	SXE9573-Z71-6#-*1)
	2	—	Solenoid/spring	Internal	2450	1,8 ... 10	—	0,59	1 & 3	SXE9574-A71-0#-*1)	SXE9574-Z71-6#-*1)
	3	—	Solenoid/spring	Internal	4400	1,8 ... 10	—	0,85	1 & 3	SXE9575-A71-0#-*1)	SXE9575-Z71-6#-*1)
	1	Built-in	Solenoid/spring	Internal	1230	1,8 ... 10	—	0,33	1 & 3	SXE9573-A81-0#-*1)	SXE9573-Z81-6#-*1)
	2	Built-in	Solenoid/spring	Internal	2450	1,8 ... 10	—	0,59	1 & 3	SXE9574-A81-0#-*1)	SXE9574-Z81-6#-*1)
	2	Built-in	Solenoid/spring	Internal	2450	1,8 ... 10	—	0,59	1 & 3	SXE9574-A81-0#-*1)	SXE9574-Z81-6#-*1)
	1	—	Solenoid/spring	External *3)	1230	-0,9 ... 16	1,8 ... 10	0,33	1 & 3	SXE9573-A76-0#-*1)	SXE9573-Z76-6#-*1)
	2	—	Solenoid/spring	External *3)	2450	-0,9 ... 16	1,8 ... 10	0,59	1 & 3	SXE9574-A76-0#-*1)	SXE9574-Z76-6#-*1)
	3	—	Solenoid/spring	External *3)	4400	-0,9 ... 16	1,8 ... 10	0,85	1 & 3	SXE9575-A76-0#-*1)	SXE9575-Z76-6#-*1)
	1	Built-in	Solenoid/spring	External *3)	1230	-0,9 ... 16	1,8 ... 10	0,33	1 & 3	SXE9573-A86-0#-*1)	SXE9573-Z86-6#-*1)
	2	Built-in	Solenoid/spring	External *3)	2450	-0,9 ... 16	1,8 ... 10	0,59	1 & 3	SXE9574-A86-0#-*1)	SXE9574-Z86-6#-*1)
	2	Built-in	Solenoid/spring	External *3)	2450	-0,9 ... 16	1,8 ... 10	0,59	1 & 3	SXE9574-A86-0#-*1)	SXE9574-Z86-6#-*1)
	1	—	Solenoid/solenoid	Internal	1230	2 ... 10	—	0,45	2 & 4	SXE0573-A50-0#-*1)	SXE0573-Z50-6#-*1)
	2	—	Solenoid/solenoid	Internal	2450	2 ... 10	—	0,72	2 & 4	SXE0574-A50-0#-*1)	SXE0574-Z50-6#-*1)
	3	—	Solenoid/solenoid	Internal	4400	2 ... 10	—	0,96	2 & 4	SXE0575-A50-0#-*1)	SXE0575-Z50-6#-*1)
	1	Built-in	Solenoid/solenoid	Internal	1230	2 ... 10	—	0,45	2 & 4	SXE0573-A60-0#-*1)	SXE0573-Z60-6#-*1)
	2	Built-in	Solenoid/solenoid	Internal	2450	2 ... 10	—	0,72	2 & 4	SXE0574-A60-0#-*1)	SXE0574-Z60-6#-*1)
	2	Built-in	Solenoid/solenoid	Internal	2450	2 ... 10	—	0,72	2 & 4	SXE0574-A60-0#-*1)	SXE0574-Z60-6#-*1)
	1	—	Solenoid/solenoid	External *3)	1230	-0,9 ... 16	2 ... 10	0,45	2 & 4	SXE0573-A55-0#-*1)	SXE0573-Z55-6#-*1)
	2	—	Solenoid/solenoid	External *3)	2450	-0,9 ... 16	2 ... 10	0,72	2 & 4	SXE0574-A55-0#-*1)	SXE0574-Z55-6#-*1)
	3	—	Solenoid/solenoid	External *3)	4400	-0,9 ... 16	2 ... 10	0,96	2 & 4	SXE0575-A55-0#-*1)	SXE0575-Z55-6#-*1)
	1	Built-in	Solenoid/solenoid	External *3)	1230	-0,9 ... 16	2 ... 10	0,45	2 & 4	SXE0573-A65-0#-*1)	SXE0573-Z65-6#-*1)
	2	Built-in	Solenoid/solenoid	External *3)	2450	-0,9 ... 16	2 ... 10	0,72	2 & 4	SXE0574-A65-0#-*1)	SXE0574-Z65-6#-*1)
	2	Built-in	Solenoid/solenoid	External *3)	2450	-0,9 ... 16	2 ... 10	0,72	2 & 4	SXE0574-A65-0#-*1)	SXE0574-Z65-6#-*1)
	1	—	Solenoid/solenoid *2)	Internal	1230	2 ... 10	—	0,45	2 & 4	—	SXE1573-Z50-6#-*1)
	2	—	Solenoid/solenoid *2)	Internal	2450	2 ... 10	—	0,72	2 & 4	—	SXE1574-Z50-6#-*1)
	3	—	Solenoid/solenoid *2)	Internal	4400	2 ... 10	—	0,96	2 & 4	—	SXE1575-Z50-6#-*1)
	1	—	Solenoid/solenoid *2)	External *3)	1230	-0,9 ... 16	2 ... 10	0,45	2 & 4	—	SXE1573-Z55-6#-*1)
	2	—	Solenoid/solenoid *2)	External *3)	2450	-0,9 ... 16	2 ... 10	0,72	2 & 4	—	SXE1574-Z55-6#-*1)
	2	—	Solenoid/solenoid *2)	External *3)	2450	-0,9 ... 16	2 ... 10	0,72	2 & 4	—	SXE1574-Z55-6#-*1)

# Insert code for manual override: 0 = push and turn (standard - End solenoid), 1 = push only  
 \*1) Insert voltage code from tables below or without coil; SXE\*\*7\*-A\*-00K (end solenoid) or SXE\*\*7\*-Z\*\*-6\*K (CNOMO solenoid)  
 \*2) Pilot side 14 priority  
 \*3) External pilot supply for ISO1 at port 14 only; ISO2 and ISO3 at port 12 or 14 (unconnected port 12 or 14 has to be plugged).

**Voltage codes and spare coils for 10 bar models (End & CNOMO solenoid operator)**

**22 mm coil for connector interface acc. to industrial standard**

Voltage	Power Inrush/Hold	Model	Code
12 V d.c.	2 W	QM/48/12J/21	12J
24 V d.c.	2 W	QM/48/13J/21	13J
24 V 50/60 Hz	4/2,5 VA	QM/48/14J/21	14J
48 V 50/60 Hz	4/2,5 VA	QM/48/16J/21	16J
110/120 V 50/60 Hz	4/2,5 VA	QM/48/18J/21	18J
220/240 V 50/60 Hz	6/5,0 VA	QM/48/19J/21	19J

**22 mm coil for connector interface acc. EN 175 301-803, form B**

Voltage	Power Inrush/Hold	Model	Code
12 V d.c.	2 W	V10626-A12L	12L
24 V d.c.	2 W	V10626-A13L	13L
24 V 50/60 Hz	4/2,5 VA	V10626-A14L	14L
48 V 50/60 Hz	4/2,5 VA	V10626-A16L	16L
110/120 V 50/60 Hz	4/2,5 VA	V10626-A18L	18L
220/240 V 50/60 Hz	6/5,0 VA	V10626-A19L	19L

**30 mm coil for connector interface acc. EN 175 301-803, form A**

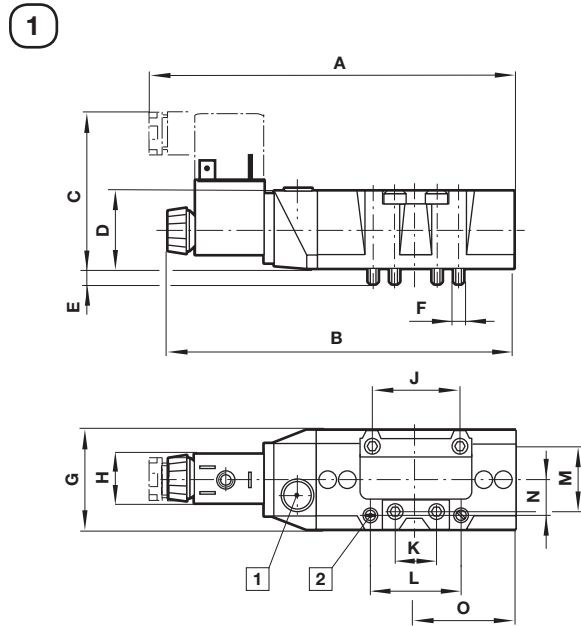
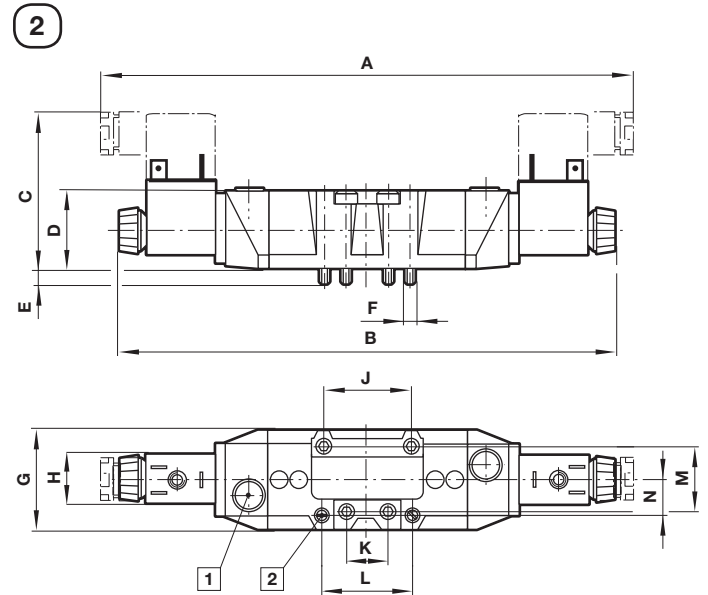
Voltage	Power Inrush/Hold	Model	Code
12 V d.c.	1,5 W	V10633-A22N	22N
24 V d.c.	1,5 W	V10633-A23N	23N
24 V 50/60 Hz	3/2 VA	V10633-A24N	24N
48 V 50/60 Hz	3/2 VA	V10633-A26N	26N
110/120 V 50/60 Hz	3/2 VA	V10633-A28N	28N
220/240 V 50/60 Hz	3/2 VA	V10633-A29N	29N

**Connector plugs - ordered separately**

Industrial standard 22 mm 2-pole + PE	22 mm, EN 175301-803 (DIN 43650 B) Form B 2-pole + PE	30 mm, EN 175301-803 (DIN 43650 B) Form A 2-pole + PE
0657868	0680003	0570275

**Drawings**

 Dimensions in mm  
 Projection/First angle

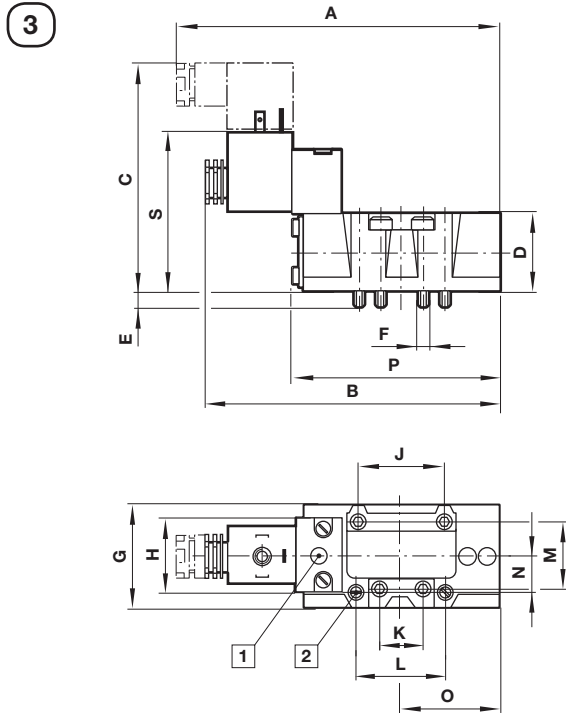
**SXE 957\*-A models**  
**Single end solenoid pilot valves**

**SXE 057\*-A and SXE9\*7\*-A models**  
**Double end solenoid pilot valves**


① Manual override  
 ② Flow regulators

ISO size	A	B	C	D	E	F	G	H	J
1	154	146	66	33	7,5	M5	42	22/30	36
2	181	173	71	42	8	M6	55	22/30	48
3	207,5	197	72	43	11,5	M8	62,5	22/30	64
ISO size	K	L	M	N	O	kg	Model		
1	18	38	28	15	42	0,33	SXE 9573-A...		
2	24	48	38	20	53	0,59	SXE 9574-A...		
3	32	-	48	-	65,5	0,85	SXE 9575-A...		

ISO size	A	B	C	D	E	F	G	H	J
1	222	204	65	33	7,5	M5	42	22/30	36
2	255	239	71	42	8	M6	55	22/30	48
3	284	263	72	43	11,5	M8	62,5	22/30	64
ISO size	K	L	M	N	kg	Model			
1	18	38	28	15	0,45	SXE 0573-A..., SXE 9.73-A...			
2	24	48	38	20	0,72	SXE 0574-A..., SXE 9.74-A...			
3	32	-	48	-	0,96	SXE 0575-A..., SXE 9.75-A...			

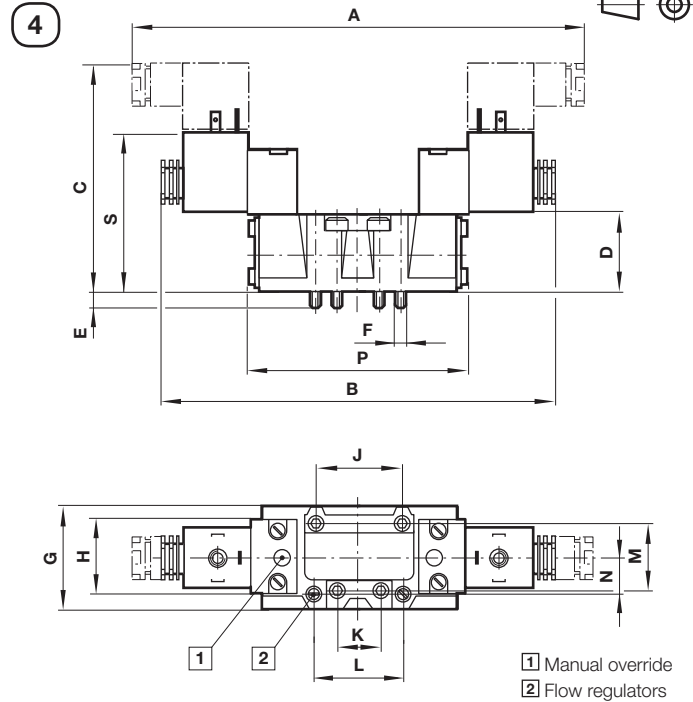
**SXE 957\*-Z models**  
**Single CNOMO solenoid pilot valves**



ISO size	A	B	C	D	E	F	G	H	J	K
1	137,5	128	98	33	7,5	M5	42	32	36	18
2	157,5	148	107	42	8	M6	55	32	48	24
3	181	170	108	43	11,5	M8	62,5	32	64	32
ISO size	L	M	N	O	P	S	kg	Model		
1	38	28	15	42	88	62	0,6	SXE 9573-Z...		
2	48	38	20	53	112	71	0,8	SXE 9574-Z...		
3	-	48	-	65,5	135,5	78,5	1,0	SXE 9575-Z...		

**SXE 057\*-Z and SXE9\*7\*-Z models**  
**Double CNOMO solenoid pilot valves**

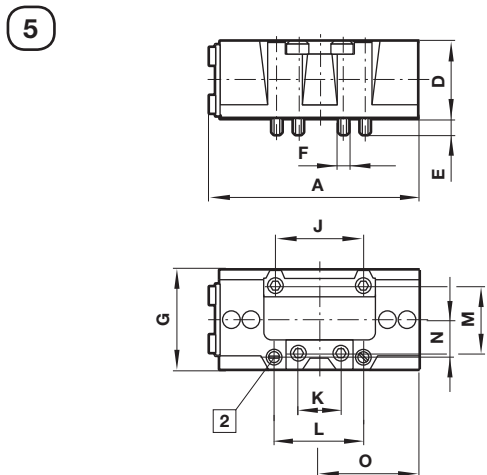
Dimensions in mm  
Projection/First angle



ISO size	A	B	C	D	E	F	G	H	J	K
1	191	171	89	33	7,5	M5	42	32	36	18
2	208	189	107	42	8	M6	55	32	48	24
3	231	212	108	43	11,5	M8	62,5	32	64	32
ISO size	L	M	N	P	S	kg	Model			
1	38	28	15	92,5	62	1,0	SXE0573-Z..., SXE 9.73-Z...			
2	48	38	20	119	71	1,2	SXE 0574-Z..., SXE 9.74-Z...			
3	-	48	-	140 (142)	78,5	1,4	SXE 0575-Z..., SXE 9.75-Z...			

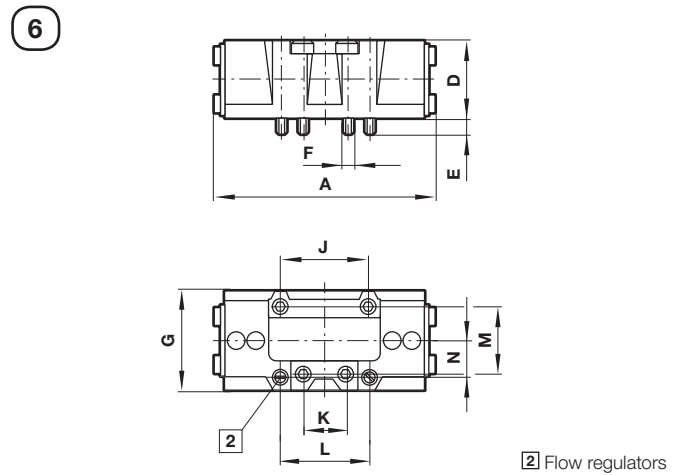
( ) for 5/3 way valves

**SXP957\* models**  
**Single air pilot valve**



ISO size	A	D	E	F	G	J	K
1	88	33	7,5	M5	42	36	18
2	112	42	8	M6	55	48	24
3	135,5	43	11,5	M8	62,5	64	32
ISO size	L	M	N	O	kg	Model	
1	38	28	15	42	0,3	SXP9573-..., SXP*573-...	
2	48	38	20	53	0,5	SXP9574-..., SXP*574-...	
3	-	48	-	65,5	0,7	SXP9575-..., SXP*574-...	

**SXP\*57\*, SXP967\*, SXP977\* & SXP987\* models**  
**Double air pilot valve**



ISO size	A	D	E	F	G	J	K
1	92,5	33	7,5	M5	42	36	18
2	119	42	8	M6	55	48	24
3	140 (142)	43	11,5	M8	62,5	64	32
ISO size	L	M	N	kg	Model		
1	38	28	15	0,3	SXP0573-..., SXP9*73-...		
2	48	38	20	0,5	SXP*574-..., SXP9*74-...		
3	-	48	-	0,7	SXP*575-..., SXP9*75-...		

( ) for 5/3 way valves