

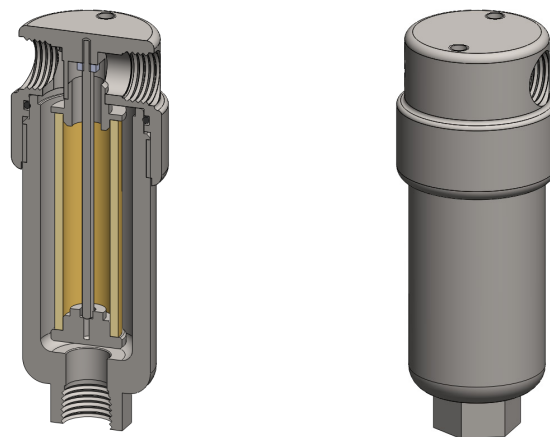
| | |
|------------------|------------------------------|
| Materials | 316L Stainless Steel |
| Pressure | 350 Bar |
| Ports | 1/8", 1/4" & 1/2" |
| Element | 12.57.□ |

SS127 series filter housings are specified for general 1/8" & 1/4" line size applications. The SS117 series housings should be considered for applications where response time is critical. Higher pressure versions are available, see the SS129 series for applications up to 700 bar.

Standard housings have NPT ports and a Viton seal. Other seal types are available as an option. BSPT and BSPP port types are also available.

The housings are free from welds and comply with NACE MR-01-75 and are CE marked in accordance with PED 97/23/EC.

These housings can also be supplied in a wide range of exotic materials, such as Hastelloy, Monel, Titanium etc.



Technical Specifications

| Housing Model | SS127.101 | SS127.111 | SS127.201 | SS127.221 | SS127.401 | SS127.421 |
|--------------------------------------|-----------|-----------|-----------|-----------|-----------|-----------|
| Port Size | 1/8" NPT | 1/8" NPT | 1/4" NPT | 1/4" NPT | 1/2" NPT | 1/2" NPT |
| Drain | None | 1/8" NPT | None | 1/4" NPT | None | 1/4" NPT |
| Maximum Pressure, Bar (1) | 350 | 350 | 350 | 350 | 350 | 350 |
| Maximum Temperature, °C (2) | 200 | 200 | 200 | 200 | 200 | 200 |
| Materials of Construction (3) | | | | | | |
| Head, Bowl & Internals | 316L SS | 316L SS | 316L SS | 316L SS | 316L SS | 316L SS |
| Seal (4) | Viton | Viton | Viton | Viton | Viton | Viton |
| Filter Element Code (5) | 12.57.□ | 12.57.□ | 12.57.□ | 12.57.□ | 12.57.□ | 12.57.□ |
| Adsorber Cartridge Code (6) | 12.57.AS□ | 12.57.AS□ | 12.57.AS□ | 12.57.AS□ | 12.57.AS□ | 12.57.AS□ |
| Principal Dimensions in mm | | | | | | |
| Diameter | 36 | 36 | 36 | 36 | 50 | 50 |
| Height | 103.5 | 103.5 | 103.5 | 103.5 | 115.5 | 115.5 |
| Volume, cc | 35 | 35 | 35 | 35 | 37.5 | 37.5 |
| Weight, kg | 0.5 | 0.5 | 0.5 | 0.5 | 0.87 | 0.87 |
| Accessories | | | | | | |
| Support Core | SCSS12 | SCSS12 | SCSS12 | SCSS12 | SCSS12 | SCSS12 |
| Mounting Bracket | MBSS11 | MBSS11 | MBSS11 | MBSS11 | MBSS11 | MBSS11 |

Notes

- (1) Above 200°C the pressure rating is reduced, consult us for the exact rating at any specific temperature
- (2) Maximum temperature 200°C using standard seal. For temperatures up to 324°C use a Chemraz seal
- (3) Material abbreviations, 316L SS = 316L Stainless Steel
- (4) Add suffix for other seal types, PTFE = .T, Chemraz = .C, Nitrile = N, Kalrez = .K, EPDM = .E, Silicone = .S, (e.g. SS127.221.T)
- (5) Replace the □ with the grade required, e.g. 12.57.5CK, 12.57.S20V, 12.57.T20
- (6) Replace the □ with the type required, e.g. 12.57.AS01



Contact Us

Classic Filters Ltd.
Sextant Park
Neptune Close
Rochester
Kent
England
ME2 4LU

T +44 (0)1634 724224
F +44 (0)1634 724234
E info@classicfilters.com
W www.classicfilters.com

Follow Us



<http://www.linkedin.com/company/classic-filters-ltd.>



<http://www.twitter.com/classicfilters>