

4-gas Detector with Pump

H₂S
CO
O₂
LEL

GasAlert MaxXT II



**WATER
RESISTANT** 

Go the distance, and save

GasAlertMax XT II is the smart, simple, economical way to compliance. Workers feel safe and incidents are minimized so everyone will be able to do more. That means savings realized from business continuity and productivity.



Simple operation, with SmartSample pump.

GasAlertMax XT II reliably monitors up to four hazards and combines straightforward one-button operation with our robust, motorized pump for intelligent, remote sampling, ideal for confined spaces. The GasAlertMax XT II is fully compatible with MicroDock II automated test and calibration system.

Standard Package Contents

- Detector complete with specified sensor(s), stainless steel alligator clip and concussion-proof housing
- Rechargeable lithium polymer battery
- Charging adaptor
- 3 ft. / 1 m calibration hose with quick connect
- 10 ft. / 3 m sampling hose with particulate filter and quick connect
- Reversible screwdriver
- Kit of five spare pump filters
- Manual
- Multi-language CD manual

General Specifications

Size	5.1 x 2.8 x 2.0 in. / 13.1 x 7.0 x 5.2 cm
Weight	11.5 oz. / 328 g
Typical battery life	13 hours @ 32°F / 0°C 8 hours @ -4°F / -20°C Recharges in 6 hours
Certifications and approvals	 Class I, Div. 1, Gr. A, B, C, D IECEX: Ga Ex ia IIC T4 ATEX:  II 1 G Ga Ex ia IIC T4 INMETRO: BR-Ex ia IIC T4
Warranty	Full two year warranty including all sensors

6570-0

	Order Number	
	Yellow	Black
GasAlertMax XT II 4-Gas Detector		
%LEL, O ₂ , H ₂ S, CO	XT-XWHM-Y-NA	XT-XWHM-B-NA
GasAlertMax XT II 3-Gas Detector		
%LEL, O ₂ , H ₂ S	XT-XWH0-Y-NA	XT-XWH0-B-NA
%LEL, O ₂ , CO	XT-XW0M-Y-NA	XT-XW0M-B-NA
O ₂ , H ₂ S, CO	XT-X0HM-Y-NA	XT-X0HM-B-NA
%LEL, H ₂ S, CO	XT-0WHM-Y-NA	XT-0WHM-B-NA
GasAlertMax XT II 2-Gas Detector		
%LEL, O ₂	XT-XW00-Y-NA	XT-XW00-B-NA
H ₂ S, CO	XT-00HM-Y-NA	XT-00HM-B-NA
O ₂ , H ₂ S	XT-X0H0-Y-NA	XT-X0H0-B-NA
O ₂ , CO	XT-X00M-Y-NA	XT-X00M-B-NA
%LEL, H ₂ S	XT-0WH0-Y-NA	XT-0WH0-B-NA
%LEL, CO	XT-0W0M-Y-NA	XT-0W0M-B-NA
GasAlertMax XT II 1-Gas Detector		
O ₂	XT-X000-Y-NA	XT-X000-B-NA
%LEL	XT-0W00-Y-NA	XT-0W00-B-NA
H ₂ S	XT-00H0-Y-NA	XT-00H0-B-NA
CO	XT-000M-Y-NA	XT-000M-B-NA

GasAlertMax XT II Region Codes

For orders outside North America, change order number suffix "-NA" to:

"-EU"	Europe	"-BR"	Brazil
"-UK"	United Kingdom	"-OR"	Other region with 3-pin UK plug
"-AU"	Australia	"-OE"	Other region with 2-pin UK plug
"-CN"	China/New Zealand		

Gas Legend

%LEL	Combustible
O ₂	Oxygen
H ₂ S	Hydrogen sulfide
CO	Carbon monoxide



MicroDock II
Automatic test and calibration station
(see MicroDock II section for additional information)

Confined Space Kit

GasAlertMax XT II confined space kit – includes GasAlertMax XT II detector (%LEL, O₂, H₂S, CO), IR connectivity kit, 0.5 LPM regulator, sampling probe, calibration gas (2.5% CH₄, 18% O₂, 25 ppm H₂S, 100 ppm CO)

GasAlertMax XT II deluxe confined space kit – includes IR connectivity kit, 0.5 LPM regulator, 10 ft. / 3 m hose, 3 ft. / 1 m hose, sampling probe, concussion-proof boot, auxiliary filter and Fleet Manager II software CD

Detector and calibration gas sold separately

Carrying case for **GasAlertMax XT II** with foam insert

Order Number

XT-XWHM-Y-NA-CS

XT-CK-DL

XT-CK-CC

Carrying Accessories

Concussion-proof boot with stainless steel alligator-style clip

Carrying holster for detector and sampling hose

Neck strap with safety release

Extension strap (4 ft. / 1.2 m)

Short strap (6 in. / 15.2 cm)

Chest harness

Order Number

GA-BXT

GA-HXT

GA-NS-1

GA-ES-1

GA-LY-1

GA-CH-2

Power Options and Spares

Multi-unit (5) cradle charger

Multi-unit (5) power adaptor

12-24 Vdc vehicle power adaptor

12-24 Vdc direct-wire power adaptor

Replacement power adaptor

Order Number

XT-C01-MC5

GA-PA-1-MC5-NA*

GA-VPA-1

GA-PA-3

GA-PA-1-NA*

**For regions outside North America replace “-NA” with: “-EU” for Europe, “-UK” for United Kingdom and “-AU” for Australia/China.*



Confined Space Kit
XT-XWHM-Y-NA-CS



Multi-Unit Cradle Charger
XT-C01-MC5
Simultaneously charge five detectors



Concussion-Proof Boot
GA-BXT



Multi-Unit Power Adaptor
GA-PA-1-MC5-NA*
Simultaneously charge five detectors



Carrying Holster
GA-HXT
Sampling Probe
GA-PROB1-1



Vehicle Power Adaptor
12-24 Vdc
GA-VPA-1



Direct-Wire Power Adaptor
12-24 Vdc
GA-PA-3
Used for emergency vehicles and other applications

Datalogging Accessories

IR connectivity kit with Fleet Manager II software

Order Number

GA-USB1-IR

Sampling/Testing Equipment and Spares

MicroDock II

- base station and **GasAlertMax XT II** docking module with charging cable
- base station and **GasAlertMax XT II** docking module without charging cable
- **GasAlertMax XT II** docking module with charging cable
- **GasAlertMax XT II** docking module without charging cable

DOCK2-2-1C1M-00-G
DOCK2-2-1M-00-G
DOCK2-0-1C1M-00-G
DOCK2-0-1M-00-G

*GasAlertMax XT II modules are backwards compatible with legacy GasAlertMax XT models.
For complete MicroDock II system configuration information, see MicroDock II section.*

Quick connect fitting spares for hoses, kit of 2

M0931K

Auxiliary filter for GasAlertMax XT II pump, kit of 5

M5-AF-K2

Auxiliary filter for GasAlertMax XT II pump, kit of 100

M5-AF-K2-100

Hydrophobic pump filter replacement, kit of 5

XT-RF-H5

Hydrophobic pump filter replacement, kit of 50

XT-RF-H50

Hydrophobic pump filter replacement, kit of 100

XT-RF-H100

Particulate pump filter replacement, kit of 5

GA-PFMAX

Particulate pump filter replacement, kit of 50

GA-PFMAX-50

Particulate pump filter replacement, kit of 100

GA-PFMAX-100

Sensor Spares

Order Number

Replacement MICROpeL® combustible (LEL) sensor

SR-W-MP75C

Replacement Oxygen (O₂) sensor

SR-X10-C1

Replacement MICROcel® oxygen (O₂) sensor *(for legacy GasAlertMax XT models)*

SR-X-MC

Replacement MICROcel® hydrogen sulfide (H₂S) sensor

SR-H-MC

Replacement MICROcel® carbon monoxide (CO) sensor

SR-M-MC

Dummy sensor for combustible (LEL) sensor location

SR-W-MC-DUM

Dummy sensor for oxygen (O₂) sensor location

SR-DUMM1

Dummy sensor for oxygen (O₂) sensor location *(for legacy GasAlertMax XT models)*

SR-X-MC-DUM

Dummy sensor for toxic sensor locations

SR-TOX-MC-DUM

Replacement quad sensor screens, kit of 2, for GasAlertMax XT II

XT-SS-1

Replacement quad sensor screens, kit of 10, for GasAlertMax XT II

XT-SS-K2

Replacement quad sensor screens, kit of 2, for legacy GasAlertMax XT models

XT-SS

Replacement quad sensor screens, kit of 10, for legacy GasAlertMax XT models

XT-SS-K1



Auxiliary Pump Filter
M5-AF-K2 / M5-AF-K2-100
*For high dust environments;
available in kits of 5 or 100*



IR Connectivity Kit
GA-USB1-IR
*Use for data download and
instrument set-up options*



Quick Connect Fitting

M0931K
Quick connect fitting for hoses, kit of two

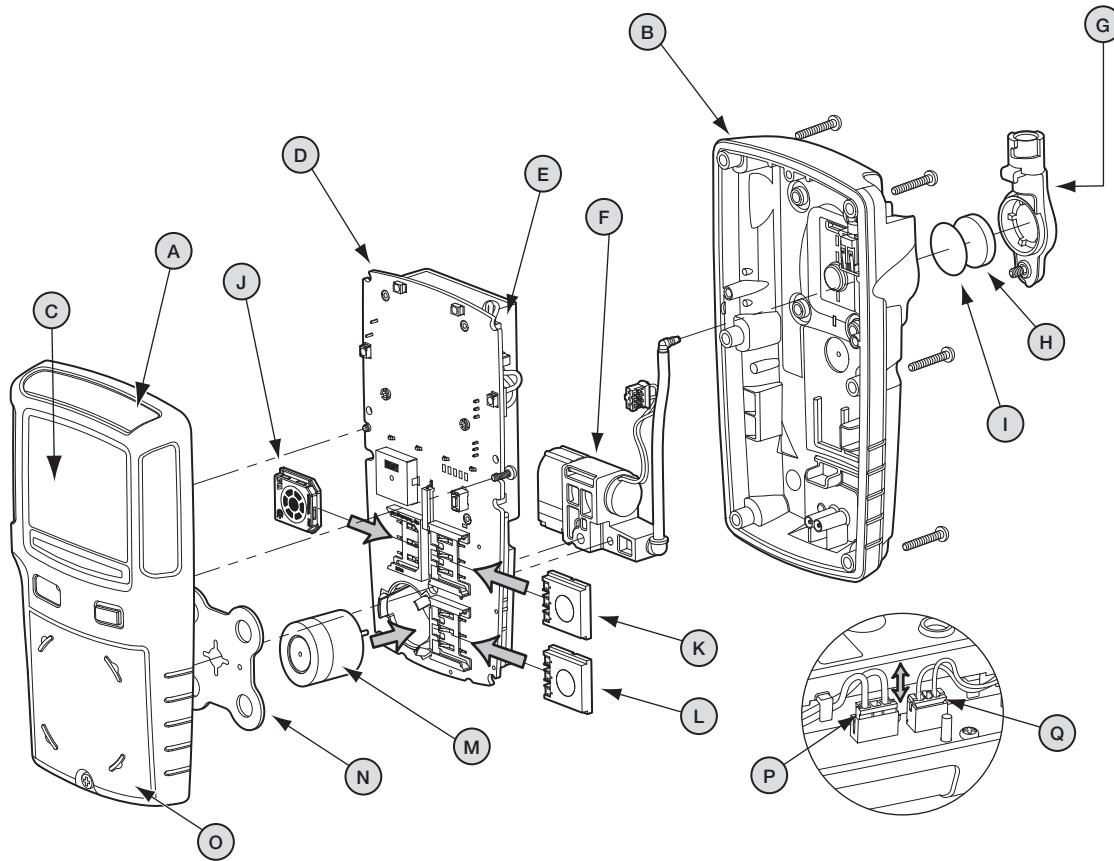
Hydrophobic Pump Filter

XT-RF-H5 / XT-RF-H50 / XT-RF-H100

Particulate Pump Filter

GA-PFMAX / GA-PFMAX-50 / GA-PFMAX-100

Both are available in kits of 5, 50 or 100



How to Replace the Battery

1. With monitor OFF, use No. 1 Phillips screwdriver to loosen retaining screw on pump enclosure (G)
2. Lift pump enclosure (G) so it unhooks from back enclosure (B)
3. Use No. 1 Phillips screwdriver to remove 6 screws from back enclosure (B)
4. Lift back enclosure (B) straight up
5. Lift battery (E) straight up, un-tread wires and disconnect battery wires from the battery connector (P)
6. Connect new battery wires (P), re-tread wires and place new battery on PCB (D)
7. Replace back enclosure (B)
8. Replace 6 screws in back enclosure (B) and hand-tighten until firm
9. Replace pump enclosure (G) and hand-tighten retaining screw until firm

How to Replace the Pump Module

1. With monitor OFF, use No. 1 Phillips screwdriver to loosen retaining screw on pump enclosure (G)
2. Lift pump enclosure (G) so it unhooks from back enclosure (B)
3. Use No. 1 Phillips screwdriver to remove 6 screws from back enclosure (B)
4. Lift back enclosure (B) straight up
5. Lift battery straight up and un-tread pump module (F) wires
6. Disconnect hose with connector from the black housing of the pump module (F)
7. Lift pump module (F) straight up and disconnect pump module (F) wires from the pump connector (Q)
8. Connect new pump module wires (Q), re-tread wires and place new pump module (F) on PCB (D)
9. Reconnect hose with connector to the black housing of the pump module (F)
10. Return battery to PCB (D) and replace back enclosure (B)
11. Replace 6 screws in the back enclosure (B) and hand-tighten until firm
12. Replace pump enclosure (G) and hand-tighten retaining screw until firm

Service Parts	Order Number	Legend
Replacement front enclosure (yellow) for legacy GasAlertMax XT	XT-FC1	A
Replacement front enclosure (yellow) for GasAlertMax XT II	XT-FC1-1	
Replacement back enclosure (yellow) for GasAlertMax XT II*	XT-BC1	B
Replacement back enclosure (black) for GasAlertMax XT II*	XT-BC1B	
Replacement front enclosure (black) for legacy GasAlertMax XT	XT-FC1B	
Replacement front enclosure (black) for GasAlertMax XT II	XT-FC1B-1	
Replacement sensor enclosure (yellow) for GasAlertMax XT II*	XT-SC1	O
Replacement sensor enclosure (black) for GasAlertMax XT II*	XT-SC1B	
Replacement pump enclosure (yellow) for GasAlertMax XT II*	XT-PC1	G
Replacement pump enclosure (black) for GasAlertMax XT II*	XT-PC1B	
Replacement main PCB for GasAlertMax XT II	XT-MPCB1	D
Replacement main PCB with screws for GasAlertMax XT II	XT-MPCB2	
Replacement battery kit for GasAlertMax XT II*	XT-BAT-K1	E
Replacement pump kit for GasAlertMax XT II*	XT-RPUMP-K1	F
Replacement alligator clip for GasAlertMax XT II*	XT-AG-1	
Replacement LCD kit for GasAlertMax XT II*	XT-LCD-K1	C
Replacement screw kit for GasAlertMax XT II*	XT-SCREW-K1	
GasAlertMax XT II upgrade kit, black (Brazil region only)	XT-XWHM-B-BR-K	
GasAlertMax XT II upgrade kit, black	XT-XWHM-B-NA-K	
GasAlertMax XT II upgrade kit, yellow (Brazil region only)	XT-XWHM-Y-BR-K	
GasAlertMax XT II upgrade kit, yellow	XT-XWHM-Y-NA-K	

**Also compatible with legacy GasAlertMax XT models*

How to Replace a Sensor

1. With monitor OFF, use No. 1 Phillips screwdriver to loosen retaining screw on pump enclosure (G)
2. Lift pump enclosure (G) so it unhooks from back enclosure (B)
3. Use No. 1 Phillips screwdriver to remove 6 screws from back enclosure (B)
4. Lift back enclosure (B) straight up
5. Use No. 1 Phillips screwdriver to remove 2 screws from back of PCB (D)
6. Lift PCB (D) together with battery and sensors straight up
7. Remove sensor (J-L) by sliding out or sensor (M) by pulling straight up from PCB (D)
8. Insert new sensor (J-M) into PCB (D)
9. Replace PCB (D) and 2 screws and hand-tighten until firm
10. Replace back enclosure (B)
11. Replace 6 screws in the back enclosure (B) and hand-tighten until firm
12. Replace pump enclosure (G) and hand-tighten retaining screw until firm

How to Replace the Sensor Screen

1. With monitor OFF, use No. 1 Phillips screwdriver to loosen retaining screw on pump enclosure (G)
2. Lift pump enclosure (G) so it unhooks from back enclosure (B)
3. Use No. 1 Phillips screwdriver to remove 6 screws from back enclosure (B)
4. Lift back enclosure (B) straight up
5. Use No. 1 Phillips screwdriver to remove 2 screws from back of PCB (D)
6. Lift PCB (D) together with battery and sensors straight up
7. Remove sensor screen (N) from front enclosure (A) by pulling straight up
8. Insert new sensor screen (N) into front enclosure (A)
9. Replace PCB (D) and 2 screws and hand-tighten until firm
10. Replace back enclosure (B)
11. Replace 6 screws in the back enclosure (B) and hand-tighten until firm
12. Replace pump enclosure (G) and hand-tighten retaining screw until firm