



SR-20AH

High-resolution lens attachment

SPECIFICATIONS

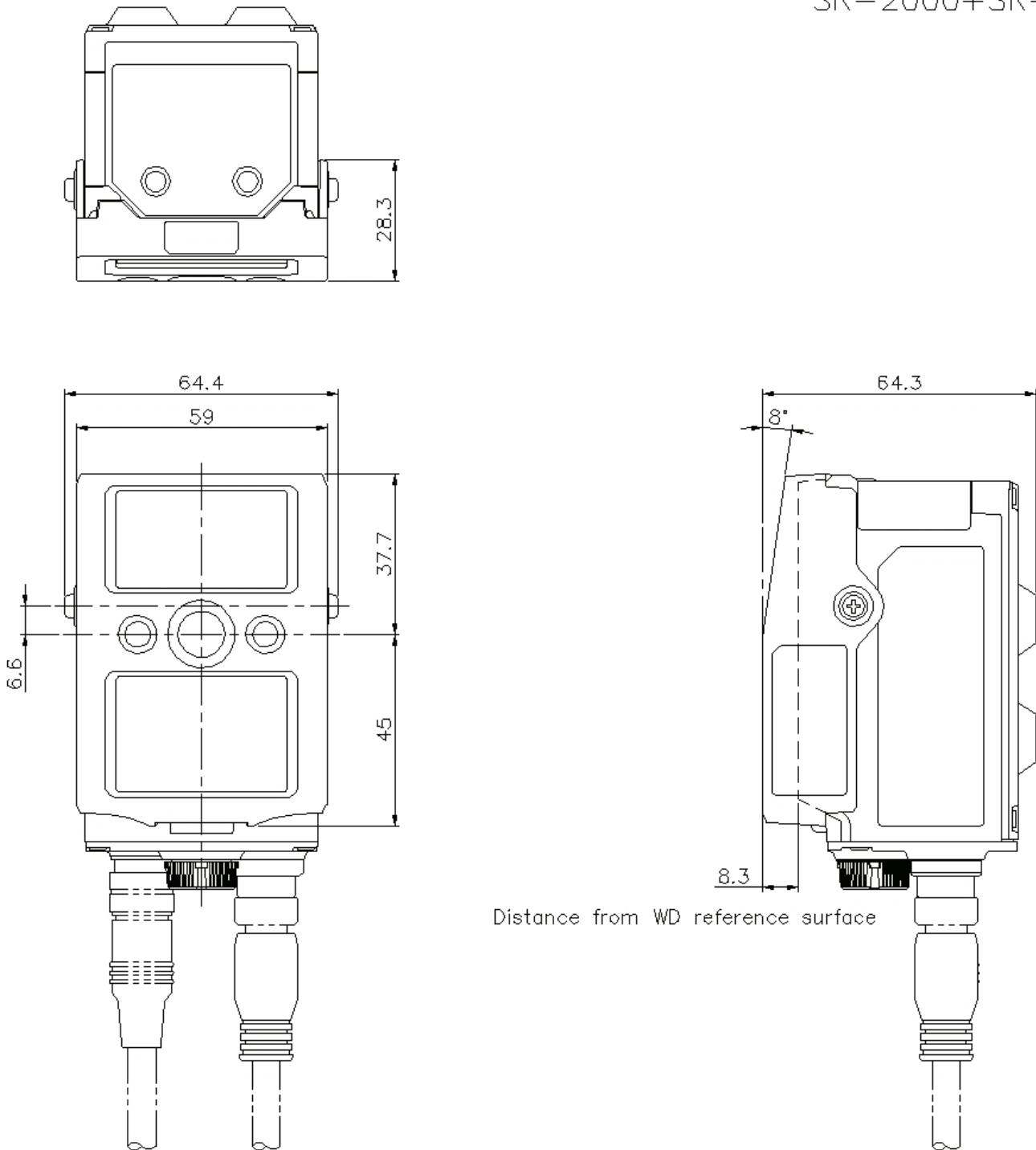
Model	SR-20AH ^{*1}		
Reading specifications	Minimum resolution	2D code	0.012 mm
		Barcode	0.082 mm
	Reading distance	35 to 70 mm	
	Field of view for reading	at 70 mm : 26 x 19 mm	
Weight	Approx. 50 g		
^{*1} When mounting the SR-2000			

Dimensions

* Download CAD file or product manual for larger image/text and more detail.

sr-2000_sr-20ah_dimension_01.gif

SR-2000+SR-20AH



sr-20ah_dimension_01.gif

SR-20AH

