



SR-1000W

Automatic Focus Code Reader



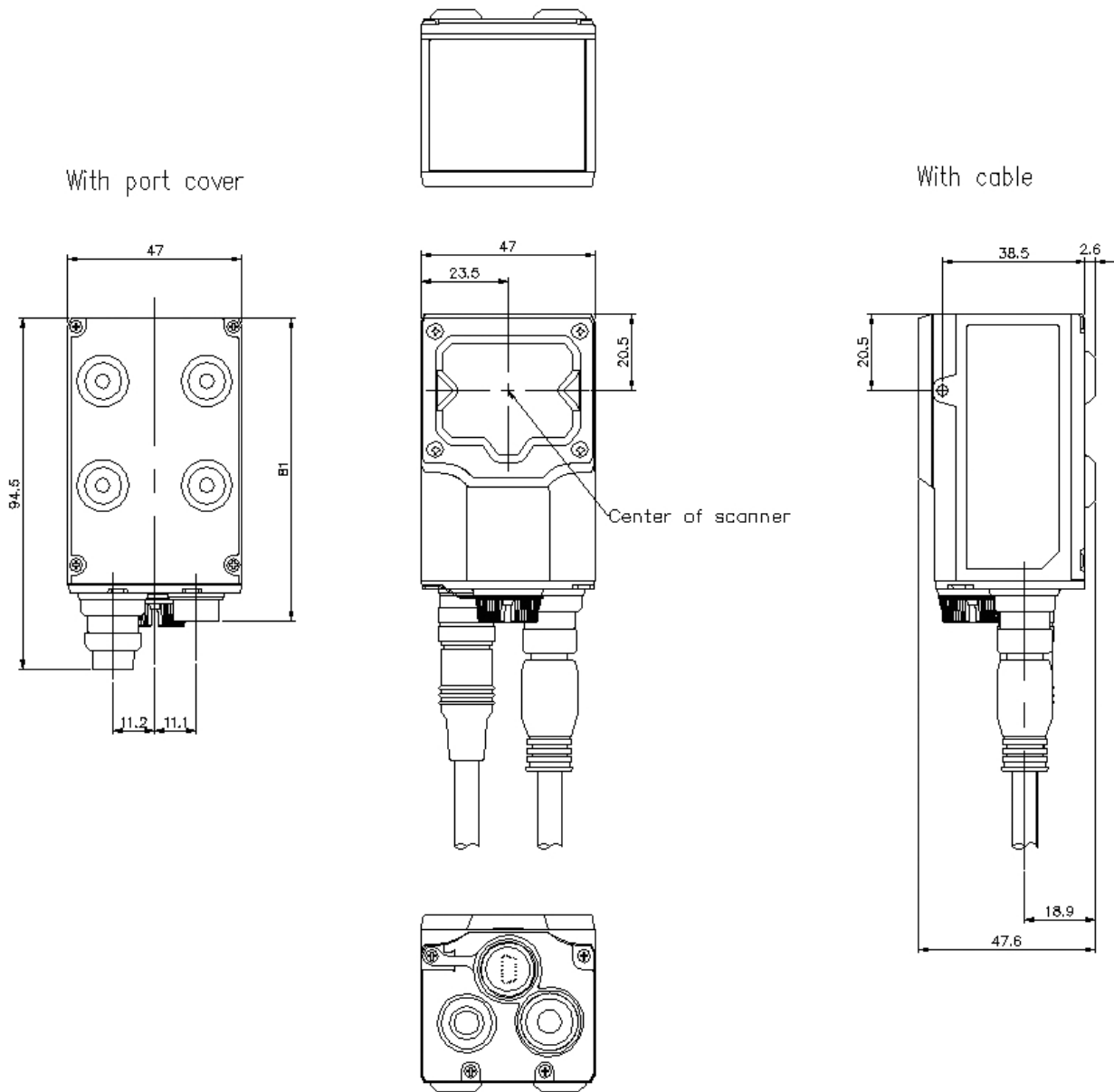
Specifications

Model		SR-1000W		
Type		Wide-field type		
Receiver	Sensor	CMOS Image Sensor		
	Number of pixels	1280 × 1024 pixels		
	Focus	Autofocus ^{*1}		
Light emitter	Light source	High intensity red LED		
	Pointer light source	High intensity green LED		
Reading specifications	Supported symbols	2D code	QR, MicroQR, DataMatrix (ECC200), GS1 DataMatrix, PDF417, Micro PDF417, GS1 Composite (CC-A, CC-B, CC-C)	
		Barcode	CODE39, ITF, 2of5 (Industrial 2of5), COOP 2of5, NW-7 (Codabar), CODE128, GS1-128, GS1 DataBar, CODE93, JAN/EAN/UPC, Trioptic CODE39, CODE39 Full ASCII, PharmacoCode	
	Minimum resolution	2D code	0.082 mm	
		Barcode		
	Reading distance	50 to 600 mm		
Field of view for reading	257 × 206 mm (Typical example at 400 mm)			
I/O specifications	Control input	Number of Inputs	2	
		Input type	Bidirectional voltage input	
		Maximum rating	26.4 VDC	
		Minimum ON voltage	15 VDC	
		Maximum OFF current	0.2 mA or less	
	Control output	Number of Outputs	3	
		Output type	Photo MOS relay output	
		Maximum rating	30 VDC	
		Maximum load current	1 output : 50 mA or less, Total of 3 outputs : 100 mA or less	
		Leakage current when OFF	0.1 mA or less	
		Residual voltage when ON	1 V or less	
	Ethernet	Communication standard	IEEE 802.3 compliant, 10BASE-T/100BASE-TX	
		Supported protocol	TCP/IP, SNMP, FTP, BOOTP, MC Protocol, Omron PLC link, KV STUDIO, EtherNet/IP™, PROFINET	
	Serial communication	Communication standard	RS-232C compliant	
		Communication speed	9600, 19200, 38400, 57600, 115200 bps	
Supported protocol		No-protocol, MC Protocol, SYSWAY, KV STUDIO		
USB	Communication standard	USB 2.0 Full Speed compliant		
Rating	Power voltage	24 VDC ±10 %		
	Current consumption	Approx. 700 mA		
Environmental resistance	Enclosure rating	IP65		
	Ambient light	Sunlight: 10,000 lux, Incandescent lamp: 6,000 lux, Fluorescent lamp: 2,000 lux		
	Ambient temperature	0 to +45 °C		
	Storage temperature	-10 to +50 °C		
	Relative humidity	35 to 85 % RH (No condensation)		
	Storage relative humidity			
	Operating environment	No dust or corrosive gas present		
Vibration resistance	10 to 55 Hz, Double amplitude 0.75 mm, 3 hours in each of the X, Y, and Z directions			
Weight	Approx. 200 g			
*1 The focal position can be adjusted automatically during installation.				

Dimensions

* Download CAD file or product manual for larger image/text and more detail.

sr-1000_1000w_4_dimension_01.gif



SR-1000_1000W_dimension_02.gif

When mounting bracket is attached

