



## SR-1000

Automatic Focus Code Reader



## Specifications

Model		SR-1000		
Type		Standard type		
Receiver	Sensor		CMOS Image Sensor	
	Number of pixels		1280 × 1024 pixels	
	Focus		Autofocus*1	
Light emitter	Light source		High intensity red LED	
	Pointer light source		High intensity green LED	
Reading specifications	Supported symbol	2D code	QR, MicroQR, DataMatrix (ECC200), GS1 DataMatrix, PDF417, Micro PDF417, GS1 Composite (CC-A, CC-B, CC-C)	
		Barcode	CODE39, ITF, 2of5 (Industrial 2of5), COOP 2of5, NW-7 (Codabar), CODE128, GS1-128, GS1 DataBar, CODE93, JAN/EAN/UPC, Trioptic CODE39, CODE39 Full ASCII, Pharmacode	
	Minimum resolution	2D code	0.063 mm <b>0.002"</b>	
		Barcode	0.082 mm <b>0.003"</b>	
	Reading distance		110 to 1000 <b>4.33" to 39.37"</b>	
	Field of view for reading		122 × 97 mm <b>4.80" x 3.82"</b> (Typical example at 400 mm <b>15.75"</b> )	
I/O specifications	Control input	Number of Inputs	2	
		Input type	Bidirectional voltage input	
		Maximum rating	26.4 VDC	
		Minimum ON voltage	15 VDC	
		Maximum OFF current	0.2 mA or less	
	Control output	Number of Outputs	3	
		Output type	Photo MOS relay output	
		Maximum rating	30 VDC	
		Maximum load current	1 output : 50 mA or less, Total of 3 outputs : 100 mA or less	
		Leakage current when OFF	0.1 mA or less	
		Residual voltage when ON	1 V or less	
	Ethernet	Communication standard	IEEE 802.3 compliant, 10BASE-T/100BASE-TX	
		Supported protocol	TCP/IP, SNMP, FTP, BOOTP, MC Protocol, Omron PLC link, KV STUDIO, Ethernet/IP®, PROFINET	
	Serial communication	Communication standard	RS-232C compliant	

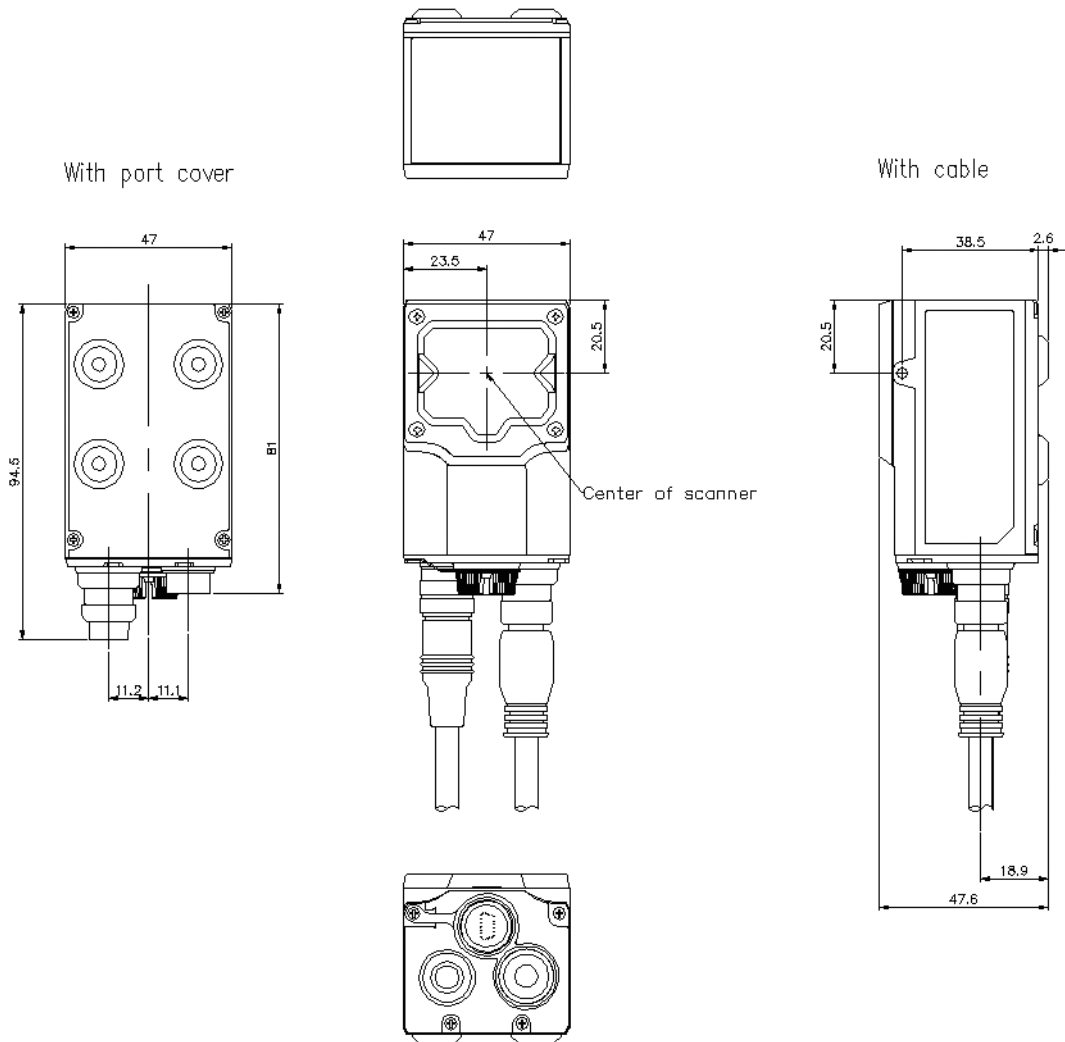
		Communication speed	9600, 19200, 38400, 57600, 115200 bps
		Supported protocol	No-protocol, MC Protocol, SYSWAY, KV STUDIO
	USB	Communication standard	USB 2.0 Full Speed compliant
Rating	Power voltage		24 VDC $\pm$ 10 %
	Current consumption		Approx. 700 mA
Environmental resistance	Enclosure rating		IP65
	Ambient light		Sunlight: 10,000 lux, Incandescent lamp: 6,000 lux, Fluorescent lamp: 2,000 lux
	Ambient temperature		0 to +45 °C <b>32 to 113 °F</b>
	Storage temperature		-10 to +50 °C <b>14 to 122 °F</b>
	Relative humidity		35 to 85 % RH (No condensation)
	Storage relative humidity		
	Operating environment		No dust or corrosive gases present
	Vibration resistance		10 to 55 Hz, Double amplitude 0.75 mm <b>0.030"</b> , 3 hours in each of the X, Y, and Z directions
Weight			Approx. 200 g

\*1 The focal position can be adjusted automatically during installation.

# Dimensions

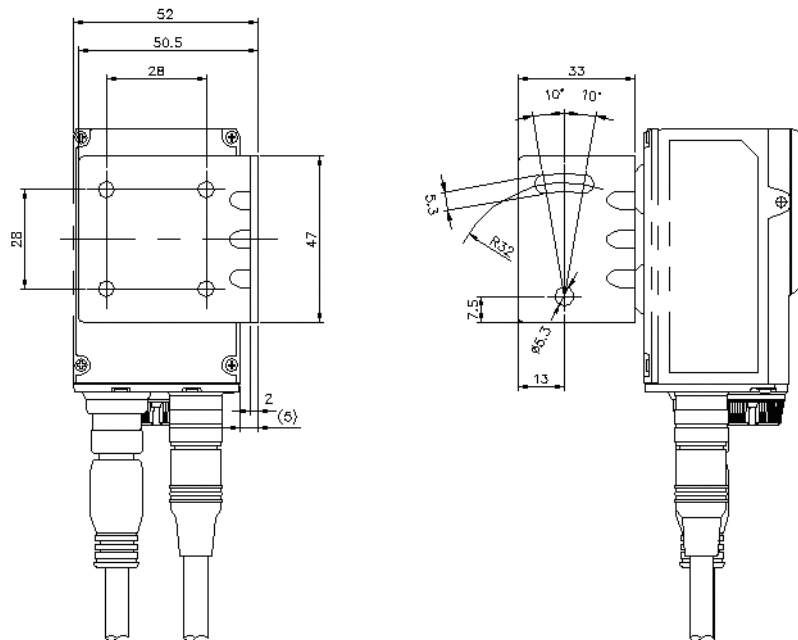
\* Download CAD file or product manual for larger image/text and more detail.

sr-1000\_1000w\_4\_dimension\_01.gif

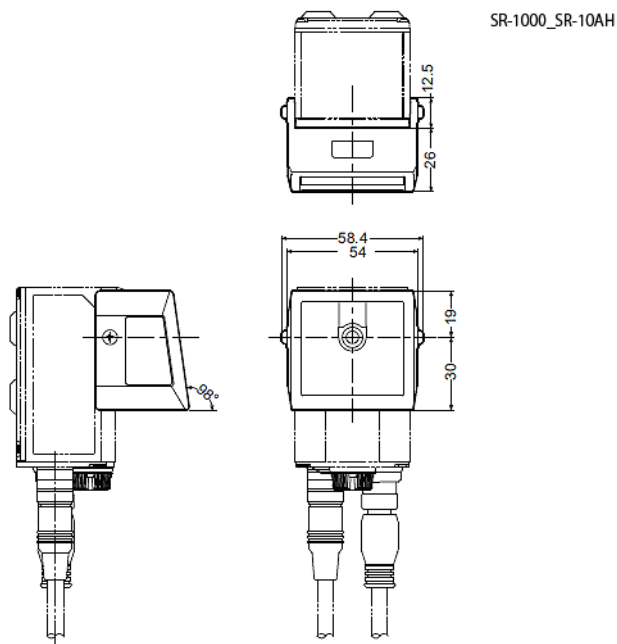


SR-1000\_1000W\_dimension\_02.gif

When mounting bracket is attached

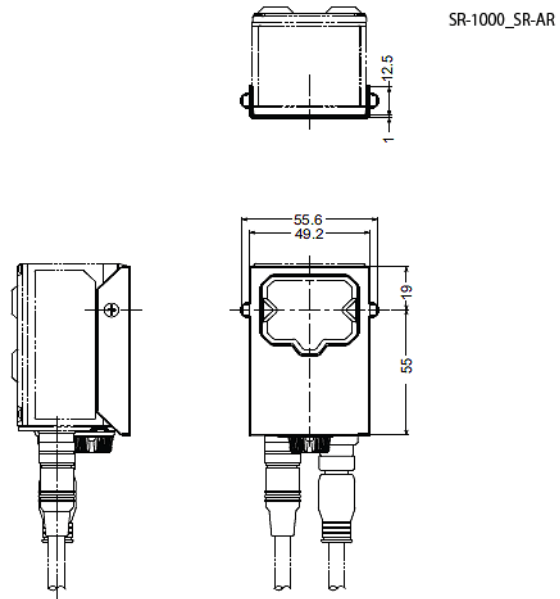


sr1000\_10ah\_dimension\_01.gif



SR-1000\_SR-10AH

sr1000\_10ar\_dimension\_01.gif



SR-1000+L-cable

