



spectrum 2

The multi-talented with first-class spectrum quality.



Scale 1:2

Quality in Control.

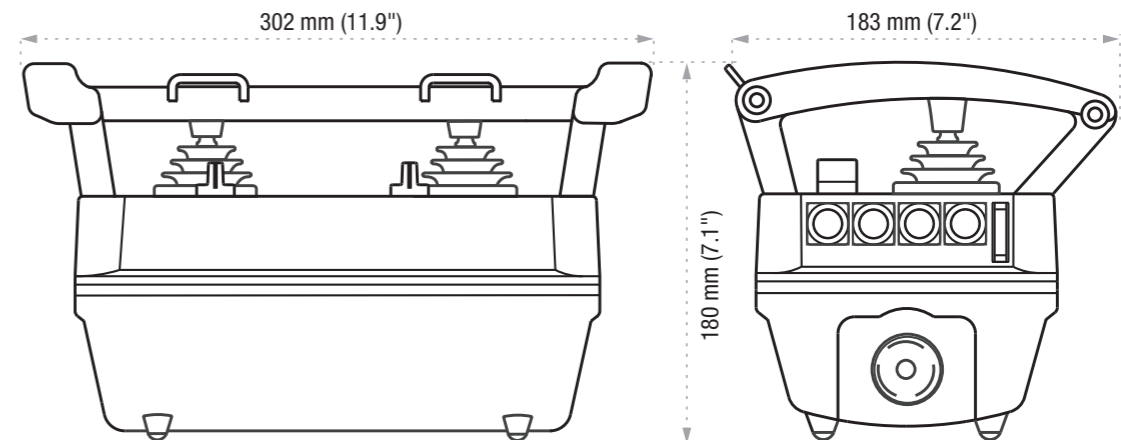


spectrum 2

Technical data

Radio transmitter	spectrum 2		
Combined with	FSE 319 / 507 / 510 / 516 / 524, FSE 726 / 727 / 736 / 737 / 776 / 777 radiobus®		
Control concepts	Point-to-point operation, catch-release, combined operation (tandem, trio, quattro), pre-selection of trolley / hoist; cable option		
Operating elements	Up to 3 joysticks or up to 6 linear levers; combination of push buttons, toggle switches, rotary switches (maintained / spring- return) and other operating elements; a total of 8 one-step push buttons on the sides; <i>optional</i> : joysticks with integrated button; z-axis switches for the simultaneous control of 3 drives		
Control functions	Up to 32 control functions (on / off); up to 8 analog functions for joysticks / linear levers; up to 4 additional analog functions, e. g. for potentiometer switches; number of control functions expandable by radiobus® modules		
Indication	LED / acoustic signal / transmitter vibration: operating status, battery status		
Safety	E-STOP: PL d category 3 according to EN ISO 13849-1:2015 Protection from unauthorized use: activation via HBC start-up sequence or merlin® TUC Auto Power Off: automatic deactivation of the transmitter after 15 min without command input Auto Movement Off: automatic deactivation of movement functions after 5 min without command input		
Enhanced safety functions	radiomatic® shock-off / zero-g / inclination switch; <i>optional</i> : access control with merlin® TUC, radiomatic® infrakey, micro / orthogonal drive, two-step enabling switch, radiomatic® touch-to-activate, front panel lighting, flashlight, shut-down on implausible control commands		
Feedback to the operator	Information and warnings via 16 LEDs and / or transmitter vibration; number of LEDs expandable by radiobus® modules		
Service concept	radiomatic® iLOG, radiomatic® ADCON, merlin® TMC (Teach Mode Card) for teaching of hydraulic functions		
Frequency ranges	ISM bands	Channel spacing	Radiated power
	country-specific use: 405 – 475 MHz 865 – 870 MHz 902 – 928 MHz	12.5 / 25 kHz 25 kHz 25 kHz	max. 10 mW
	country-independent use: 2.4 GHz: 2402 – 2480 MHz	1 MHz	max. 100 mW
	country-specific use: DECT: 1790 – 1930 MHz	1.728 MHz	max. 250 mW
Frequency management	Fixed frequency, radiomatic® AFS, DECT, Adaptive Frequency Hopping, radiomatic® AFM		
Antenna	Internal		
Battery technology	Rechargeable Li-ion exchange battery; <i>optional</i> : capacity gauge via LEDs; continuous operating time: typically 40 hours		
Charging time	< 6 h (typ.)		
Housing material	Plastic (PA6GF30)		
Weight	approx. 2 kg (4.4 lb.)		
Operating temperature	-20 °C ... +70 °C (-4 °F ... 158° F)		
Protection class	IP 65		

© 2021 HBC-radiomatic GmbH | PI_spectrum_2 | 41/21 | Specifications and design subject to change without notice! No part of this document may be reproduced in any manner whatsoever without the expressed written permission of HBC-radiomatic GmbH.



spectrum 2

spectrum 2 is a versatile radio control with HBC joysticks or linear levers as well as numerous further operating elements. A large selection of features and functions allows for individually customized configuration.

Valuable features at a glance:



Functionally safe commands

Enhanced safety functions for particular scenarios
Apart from the E-STOP, the radio control is available with further safe commands corresponding to PL d category 3 according to EN 13849-1:2015.



merlin® TUC (Transmitter User Card)

Simple and safe management of access rights
merlin® TUC protects the control against unauthorized use. In addition, this card allows you to unlock or lock machine functions for each different operator.



radiomatic® touch-to-activate

Protection against unintended initiation of commands
In order to enable movement commands, the operator has to touch the roll-over bar or the joystick button. This will protect the operator against unintended machine movements.



Front panel lighting and flashlight

Clear vision even in the dark
These useful features can be conveniently activated at the touch of a button.



Up to 3 HBC joysticks with all-metal finish, alternatively up to 6 linear levers.



Aluminum front panel with individual design.

Customizable combination of various HBC operating elements.

Scale 1:2



Version with linear levers.



E-STOP.



Front view.



High-performing Li-ion exchange batteries, optional with capacity gauge.



radiomatic® iLOG for the quick activation of a spare transmitter.



Carrying with the hip belt.