

120x120x38 mm

70~117 CFM



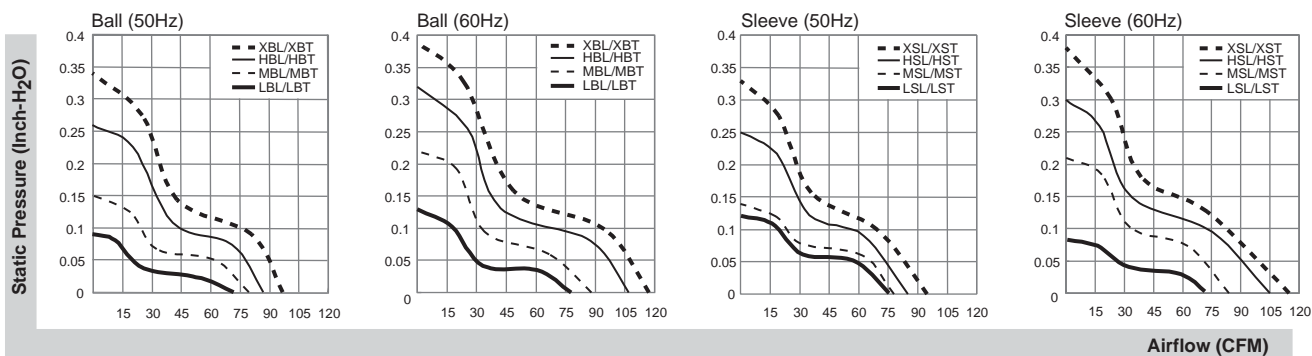
■ Specifications

| Model | P/N | Bearing | Rating Voltage | Freq. | Power Current | Power Consumption | Speed | Air Flow | Static Pressure | Noise | Weight |
|--------|------------|------------------------------|----------------|-------|---------------|-------------------|-----------|----------|-------------------------|---------|--------|
| | | ● VAPO ○ BALL ○ Sleeve | (VAC) | (Hz) | (AMP) | (WATTS) | (RPM) | (CFM) | (Inch-H ₂ O) | (dB(A)) | (g) |
| SP100A | 1123XSL.GN | ○ | 115 | 50/60 | 0.26/0.24 | 22/20 | 2700/3100 | 95/115 | 0.33/0.38 | 44/49 | 550 |
| SP100A | 1123XST.GN | ○ | 115 | 50/60 | 0.26/0.24 | 22/20 | 2700/3100 | 95/115 | 0.33/0.38 | 44/49 | 550 |
| SP101A | 1123HSL.GN | ○ | 115 | 50/60 | 0.21/0.18 | 20/18 | 2550/2900 | 85/105 | 0.25/0.30 | 43/48 | 550 |
| SP101A | 1123HST.GN | ○ | 115 | 50/60 | 0.21/0.18 | 20/18 | 2550/2900 | 85/105 | 0.25/0.30 | 43/48 | 550 |
| SP102A | 1123MSL.GN | ○ | 115 | 50/60 | 0.17/0.16 | 15/15 | 2400/2600 | 78/84 | 0.14/0.21 | 33/38 | 550 |
| SP102A | 1123MST.GN | ○ | 115 | 50/60 | 0.17/0.16 | 15/15 | 2400/2600 | 78/84 | 0.14/0.21 | 33/38 | 550 |
| SP103A | 1123LSL.GN | ○ | 115 | 50/60 | 0.13/0.11 | 11/11 | 2200/2000 | 76/70 | 0.12/0.08 | 38/36 | 550 |
| SP103A | 1123LST.GN | ○ | 115 | 50/60 | 0.13/0.11 | 11/11 | 2200/2000 | 76/70 | 0.12/0.08 | 38/36 | 550 |
| SP100A | 1123XBL.GN | ○ | 115 | 50/60 | 0.26/0.24 | 22/20 | 2850/3150 | 97/117 | 0.34/0.39 | 45/50 | 550 |
| SP100A | 1123XBT.GN | ○ | 115 | 50/60 | 0.26/0.24 | 22/20 | 2850/3150 | 97/117 | 0.34/0.39 | 45/50 | 550 |
| SP101A | 1123HBL.GN | ○ | 115 | 50/60 | 0.21/0.18 | 20/18 | 2750/3050 | 87/107 | 0.26/0.32 | 45/50 | 550 |
| SP101A | 1123HBT.GN | ○ | 115 | 50/60 | 0.21/0.18 | 20/18 | 2750/3050 | 87/107 | 0.26/0.32 | 45/50 | 550 |
| SP102A | 1123MBL.GN | ○ | 115 | 50/60 | 0.17/0.16 | 16/15 | 2500/2700 | 80/88 | 0.15/0.22 | 35/40 | 550 |
| SP102A | 1123MBT.GN | ○ | 115 | 50/60 | 0.17/0.16 | 16/15 | 2500/2700 | 80/88 | 0.15/0.22 | 35/40 | 550 |
| SP103A | 1123LBL.GN | ○ | 115 | 50/60 | 0.13/0.11 | 11/11 | 2150/2300 | 72/78 | 0.09/0.13 | 37/39 | 550 |
| SP103A | 1123LBT.GN | ○ | 115 | 50/60 | 0.13/0.11 | 11/11 | 2150/2300 | 72/78 | 0.09/0.13 | 37/39 | 550 |

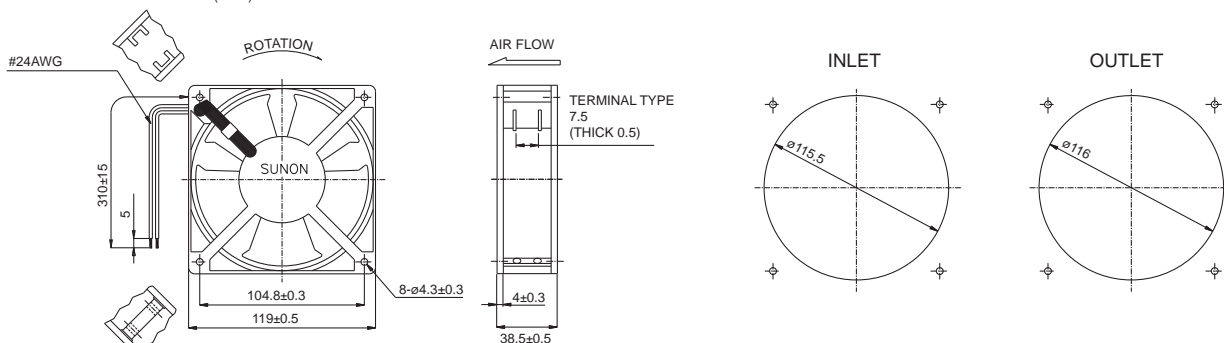
Frame : Aluminum alloy

Safety : UL-CUL/TUV/CE/CCC

■ Air Flow-Static Pressure Characteristics



■ External dimensions(mm)



*All model could be customized. Please contact with Sunon Sales.

*Specifications are subject to change without notice. Please Visit SUNON website at <http://www.sunon.com> for update information.

120x120x38 mm

70~117 CFM



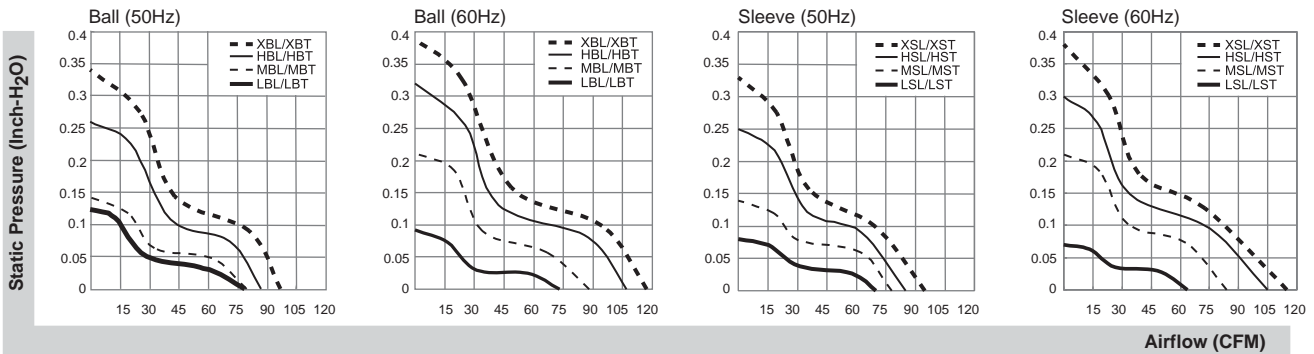
■ Specifications

| Model | P/N | Bearing | Rating Voltage | Freq. | Power Current | Power Consumption | Speed | Air Flow | Static Pressure | Noise | Weight |
|--------|------------|------------------------------|----------------|-------|---------------|-------------------|-----------|----------|-------------------------|---------|--------|
| | | ● VAPO ○ BALL ○ Sleeve | (VAC) | (Hz) | (AMP) | (WATTS) | (RPM) | (CFM) | (Inch-H ₂ O) | (dB(A)) | (g) |
| DP200A | 2123XSL.GN | ● | 220-240 | 50/60 | 0.14/0.12 | 22/21 | 2700/3100 | 95/115 | 0.33/0.38 | 44/49 | 550 |
| DP200A | 2123XST.GN | ○ | 220-240 | 50/60 | 0.14/0.12 | 22/21 | 2700/3100 | 95/115 | 0.33/0.38 | 44/49 | 550 |
| DP201A | 2123HSL.GN | ● | 220-240 | 50/60 | 0.125/0.11 | 20/19 | 2550/2900 | 85/105 | 0.25/0.30 | 43/48 | 550 |
| DP201A | 2123HST.GN | ○ | 220-240 | 50/60 | 0.125/0.11 | 20/19 | 2550/2900 | 85/105 | 0.25/0.30 | 43/48 | 550 |
| DP202A | 2123MSL.GN | ● | 220-240 | 50/60 | 0.09/0.08 | 16/15 | 2300/2500 | 78/84 | 0.14/0.21 | 33/38 | 550 |
| DP202A | 2123MST.GN | ○ | 220-240 | 50/60 | 0.09/0.08 | 16/15 | 2300/2500 | 78/84 | 0.14/0.21 | 33/38 | 550 |
| DP203A | 2123LSL.GN | ● | 220-240 | 50/60 | 0.06/0.05 | 11/10 | 2000/1800 | 70/63 | 0.08/0.07 | 36/32 | 550 |
| DP203A | 2123LST.GN | ○ | 220-240 | 50/60 | 0.06/0.05 | 11/10 | 2000/1800 | 70/63 | 0.08/0.07 | 36/32 | 550 |
| DP200A | 2123XBL.GN | ○ | 220-240 | 50/60 | 0.14/0.12 | 22/21 | 2850/3150 | 97/117 | 0.34/0.39 | 45/50 | 550 |
| DP200A | 2123XBT.GN | ○ | 220-240 | 50/60 | 0.14/0.12 | 22/21 | 2850/3150 | 97/117 | 0.34/0.39 | 45/50 | 550 |
| DP201A | 2123HBL.GN | ○ | 220-240 | 50/60 | 0.125/0.11 | 20/19 | 2750/3050 | 87/107 | 0.26/0.32 | 45/50 | 550 |
| DP201A | 2123HBT.GN | ○ | 220-240 | 50/60 | 0.125/0.11 | 20/19 | 2750/3050 | 87/107 | 0.26/0.32 | 45/50 | 550 |
| DP202A | 2123MBL.GN | ○ | 220-240 | 50/60 | 0.09/0.08 | 16/15 | 2400/2600 | 78/84 | 0.14/0.21 | 34/39 | 550 |
| DP202A | 2123MBT.GN | ○ | 220-240 | 50/60 | 0.09/0.08 | 16/15 | 2400/2600 | 78/84 | 0.14/0.21 | 34/39 | 550 |
| DP203A | 2123LBL.GN | ○ | 220-240 | 50/60 | 0.05/0.06 | 10/10 | 2300/2150 | 78/72 | 0.13/0.09 | 39/37 | 550 |
| DP203A | 2123LBT.GN | ○ | 220-240 | 50/60 | 0.05/0.06 | 10/10 | 2300/2150 | 78/72 | 0.13/0.09 | 39/37 | 550 |

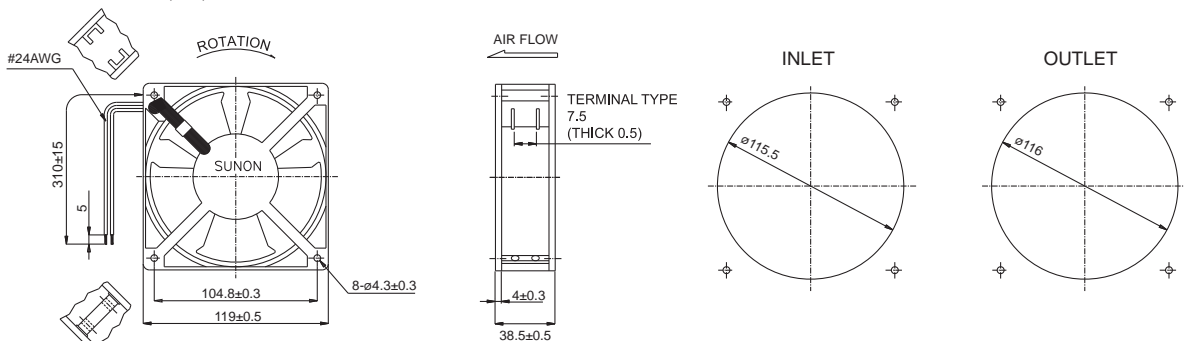
Frame : Aluminum alloy

Safety : UL-CUL/TUV/CE/CCC/BSMI

■ Air Flow-Static Pressure Characteristics



■ External dimensions(mm)



*All model could be customized. Please contact with Sunon Sales.

*Specifications are subject to change without notice. Please Visit SUNON website at <http://www.sunon.com> for update information.