

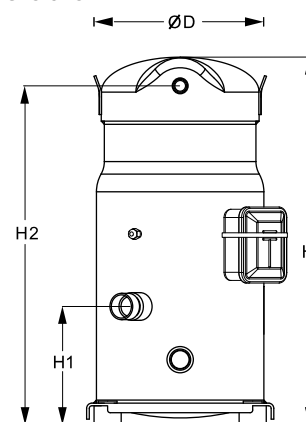
Datasheets

Danfoss scroll compressors **SM / SY / SZ / SH / WSH**



General Characteristics

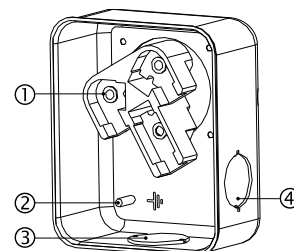
Model number (on compressor nameplate)		SM110S4VC
Code number for Singlepack*		SM110-4V1
Code number for Industrial pack**		SM110-4VM
Drawing number		8552037b
Suction and discharge connections		Brazed
Suction connection		1-3/8" ODF
Discharge connection		7/8" ODF
Oil sight glass		Threaded
Oil equalisation connection		3/8" flare SAE
Oil drain connection		None
LP gauge port		Schrader
IPR valve		None
Swept volume		144,2 cm ³ /rev
Displacement @ Nominal speed		25.1 m ³ /h @ 2900 rpm - 30.3 m ³ /h @ 3500 rpm
Net weight		73 kg
Oil charge		3,25 litre, Mineral - 160P
Maximum system test pressure Low Side / High side		25 bar(g) / 32 bar(g)
Maximum differential test pressure		24 bar
Maximum number of starts per hour		12
Refrigerant charge limit		10 kg
Approved refrigerants		R22, R417A-160SZ

Dimensions


D=254 mm
H=558 mm
H1=178,4 mm
H2=514,5 mm
H3=- mm

Electrical Characteristics

Nominal voltage	380-400V/3/50Hz - 460V/3/60Hz
Voltage range	340-440 V @ 50Hz - 414-506 V @ 60Hz
Winding resistance (between phases) +/- 7% at 25°C	1.05 Ω
Rated Load Amps (RLA)	15.7 A
Maximum Continuous Current (MCC)	22 A
Locked Rotor Amps (LRA)	130 A
Motor protection	Internal overload protector

Terminal box


IP54 (with cable gland)
1: Power connection, 3 x 4.8 mm (3/16")
2: Earth M4-12
3: Knock-out Ø 29 mm (1.14")
4: Knock-out Ø 25.5 mm (1.00")

Recommended Installation torques

Oil sight glass	50 Nm
Power connections / Earth connection	3 Nm / 2 Nm
Mounting bolts	21 Nm

Parts shipped with compressor

Mounting kit with grommets, bolts, nuts, sleeves and washers
Initial oil charge
Installation instructions

Approvals : CE certified, UL certified (file SA6873), -

*Singlepack: Compressor in cardboard box

**Industrial pack: 8 Unboxed compressors on pallet (order per multiples of 8)