

Bar mounting

SBQS-P

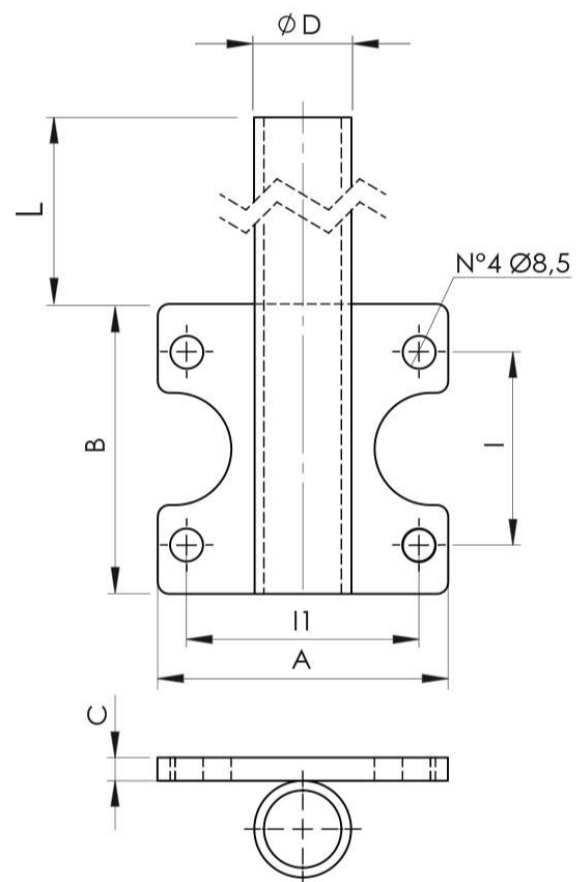
[Download datasheet](#)
[3D download](#)
[To download, please login >>](#)

Product image


Material: Steel

Treatment: Burnishing

Technical drawing



Technical data

COD.	A	B	C	ØD	E	I	I1	L (mm)	Weight (kg)
SBQS-P25-L	75	75	6	25	...	50	60	100÷500 (10 mm increments)	only the Platelet: 0,21
SBQS-P30-L	75	75	6	30	...	50	60		

Application example