

Bar mounting

SB2-40

[Download datasheet](#)

[3D download](#)

[To download, please login >>](#)

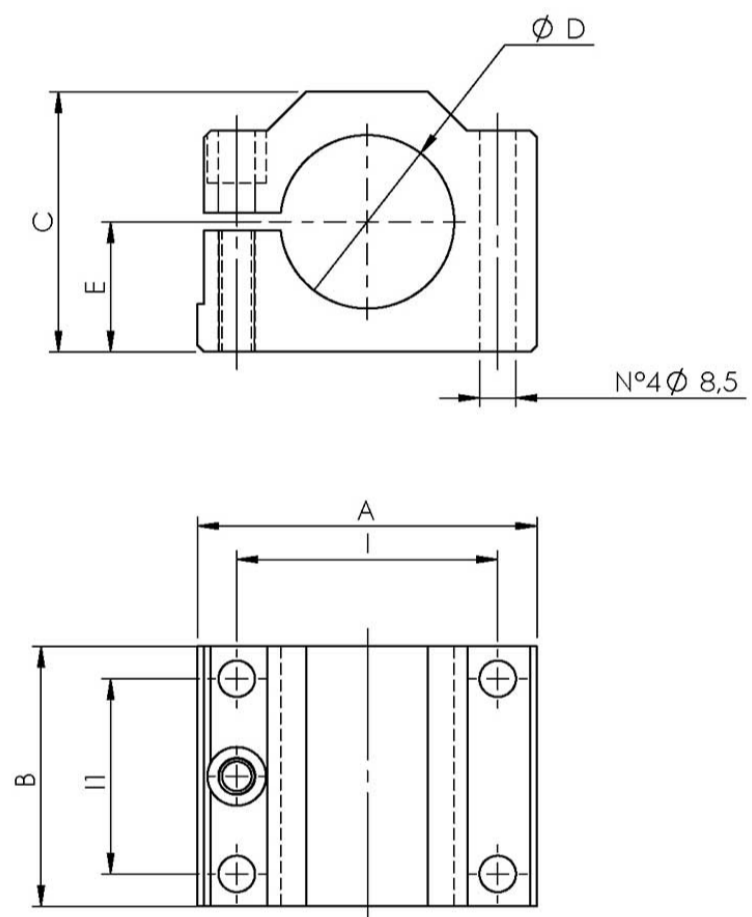
Product image



Material: Aluminium 6082

Treatment: Gunmetal anodizing

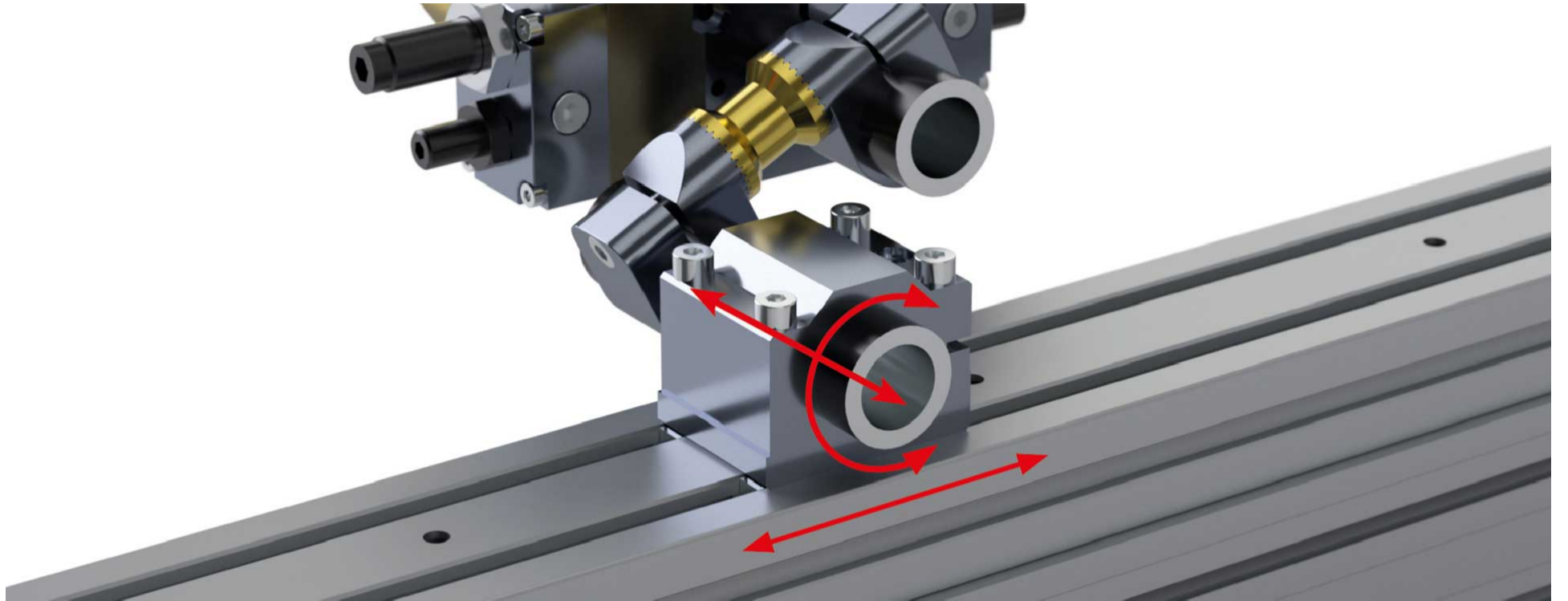
Technical drawing



Technical data

COD.	A	B	C	ØD	E	F	G	I	I1	Weight (kg)
SB2-4060	78	60	60	40	30	--	--	60	45	0,395
SB2-4070	78	70	60	40	30	--	--	60	50	0,52

Application example



SAMEC SRL

VAT Id Nr.: IT05549590015
Rea Torino Nr. 717144
Share Capital € 150.000,00
Foreign operator Nr. To 070366

Awards and certifications

UNI EN ISO 9001:2015
QUALITY POLICY
PRIVACY POLICY
COOKIE POLICY
COOKIES PREFERENCES