

Swivelling parallel bracket

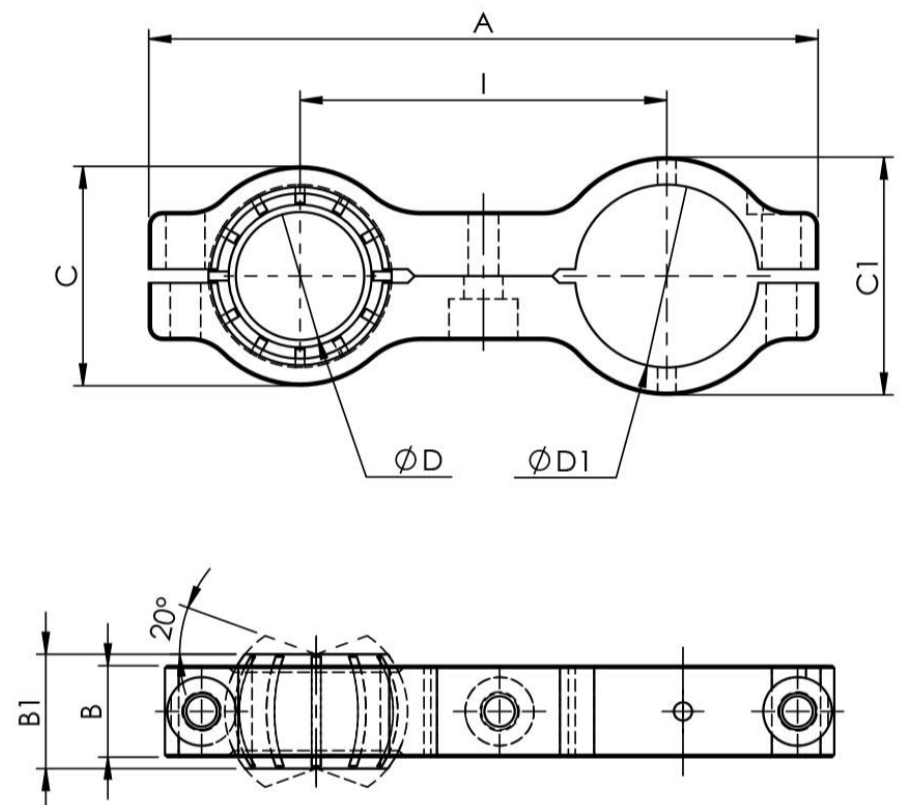
SAPKO

[Download datasheet](#)
[3D download](#)
[To download, please login >>](#)

Product image



Technical drawing


Material: Aluminium 6082

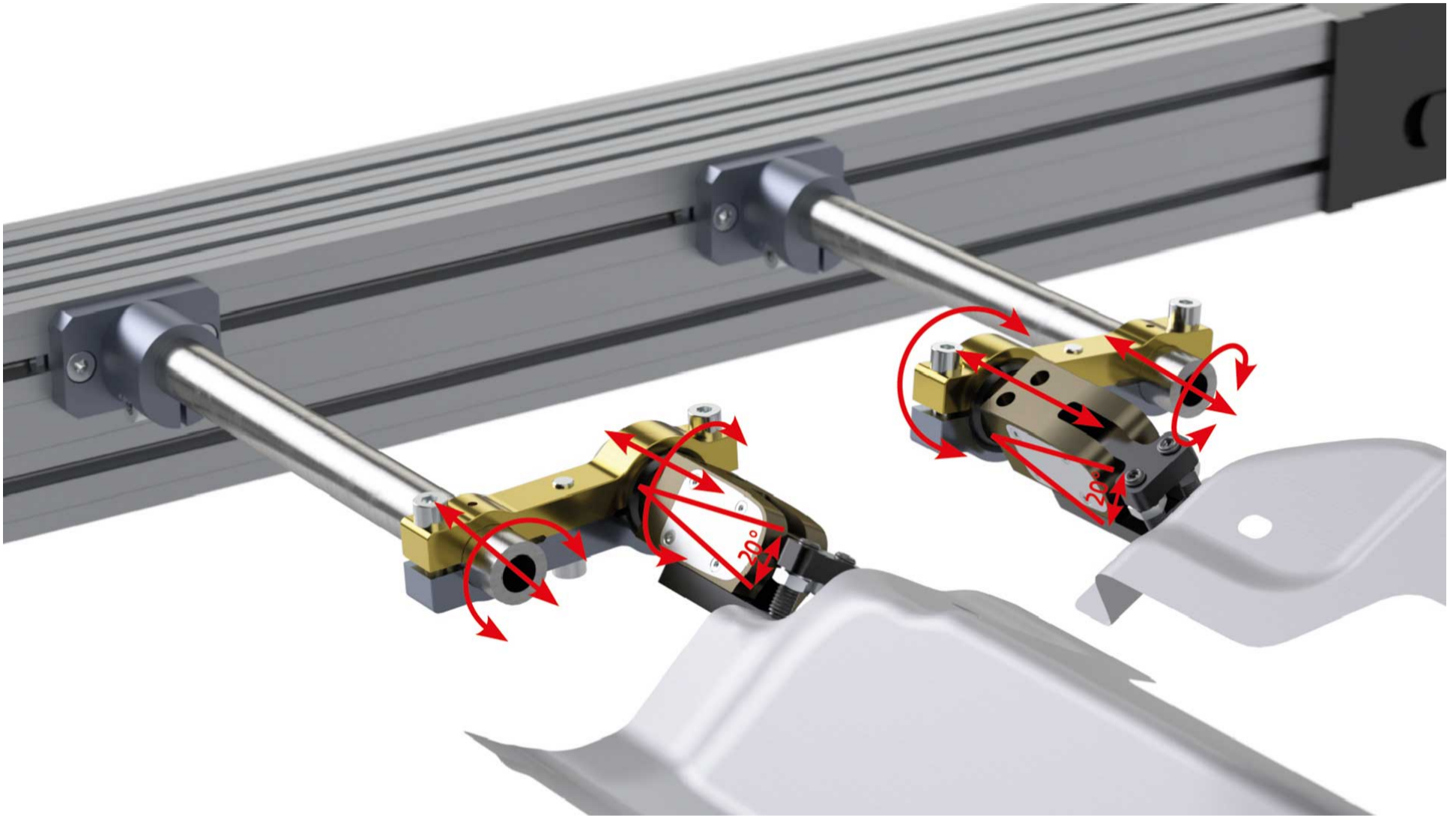
Treatment: Gold and gunmetal anodizing

Bolts: Included

Technical data

COD.	A	B	B1	C	C1	ØD	ØD1	I	Weight (kg)
SAPKO25-30	142	20	25	48	42	25	30	80	0,22
SAPKO25-40	146	20	25	48	52	25	40	80	0,22
SAPKO28-25	139	20	25	48	36	28	25	80	0,22
SAPKO28-30	142	20	25	48	42	28	30	80	0,21
SAPKO28-40	146	20	25	48	52	28	40	80	0,21
SAPKO30-25	139	20	25	48	36	30	25	80	0,22
SAPKO30-30	142	20	25	48	42	30	30	80	0,21

Application example



www.samec.com
info@samec.com



SAMEC SRL

VAT Id Nr.: IT05549590015
Rea Torino Nr. 717144
Share Capital € 150.000,00
Foreign operator Nr. To 070366

Awards and certifications

UNI EN ISO 9001:2015
QUALITY POLICY
PRIVACY POLICY
COOKIE POLICY
COOKIES PREFERENCES