

Swivelling parallel bracket

# SAPKO

[Download datasheet](#)

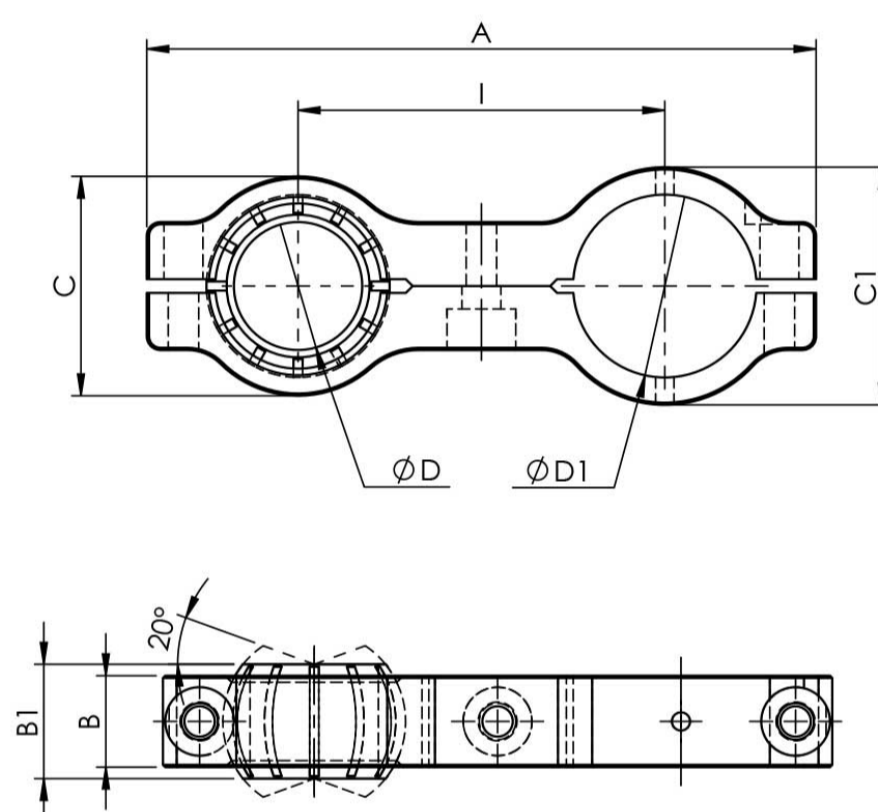
[3D download](#)

[To download, please login >>](#)

## Product image



## Technical drawing



**Material:** Aluminium 6082

**Treatment:** Gold and gunmetal anodizing

**Bolts:** Included

## Technical data

COD.	A	B	B1	C	C1	ØD	ØD1	I	Weight (kg)
SAPKO25-30	142	20	25	48	42	25	30	80	0,22
SAPKO25-40	146	20	25	48	52	25	40	80	0,22
SAPKO28-25	139	20	25	48	36	28	25	80	0,22
SAPKO28-30	142	20	25	48	42	28	30	80	0,21
SAPKO28-40	146	20	25	48	52	28	40	80	0,21
SAPKO30-25	139	20	25	48	36	30	25	80	0,22
SAPKO30-30	142	20	25	48	42	30	30	80	0,21