

Pneumatic miniclamp

SA25CT3225/3240

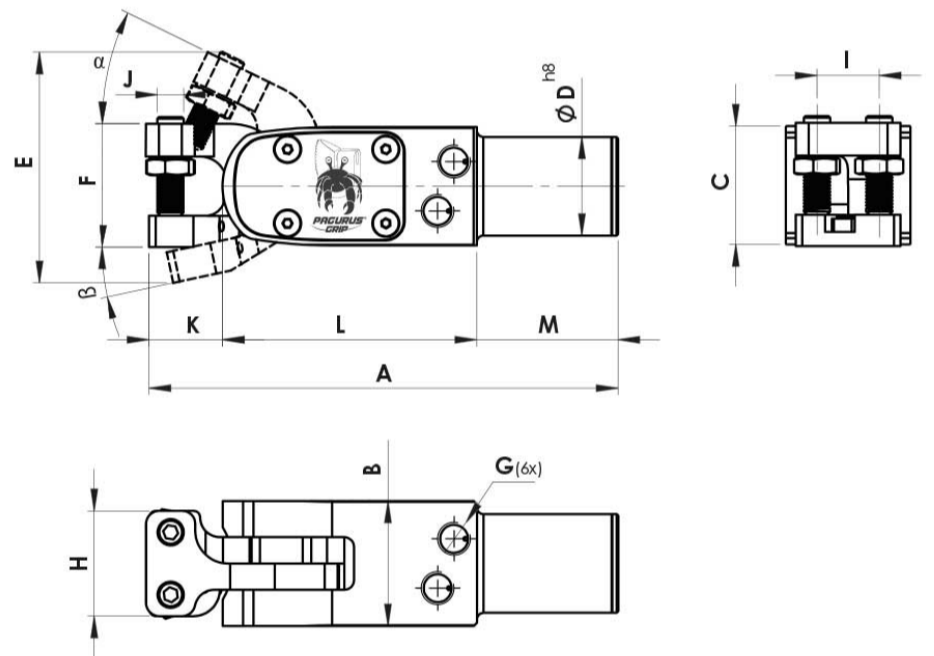
[Download datasheet](#)

[Go to 3D configurator](#)

Product image



Technical drawing



Material: Ergal 7075 & Steel

Treatment: Hard anodizing & Burnishing

Bolts: included

Type	SA25CT3225	SA25CT3240
Bore	25	25
Clamping force (6 bar)	158 daN	122 daN
Opening angle $\alpha + \beta$	25° + 11°	25° + 11°
Air consumption per cycle (6 bar)	12,6 cm ³	12,6 cm ³
Weight (kg)	0,51	0,52

Technical data

COD.	A	B	C	ØD	E	F	G	H	I	J	K	L	M	N
------	---	---	---	----	---	---	---	---	---	---	---	---	---	---