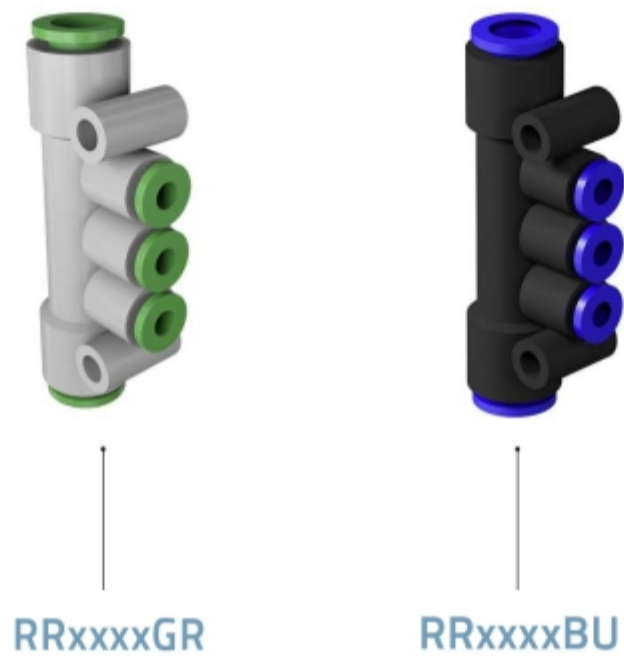


Reduction manifold

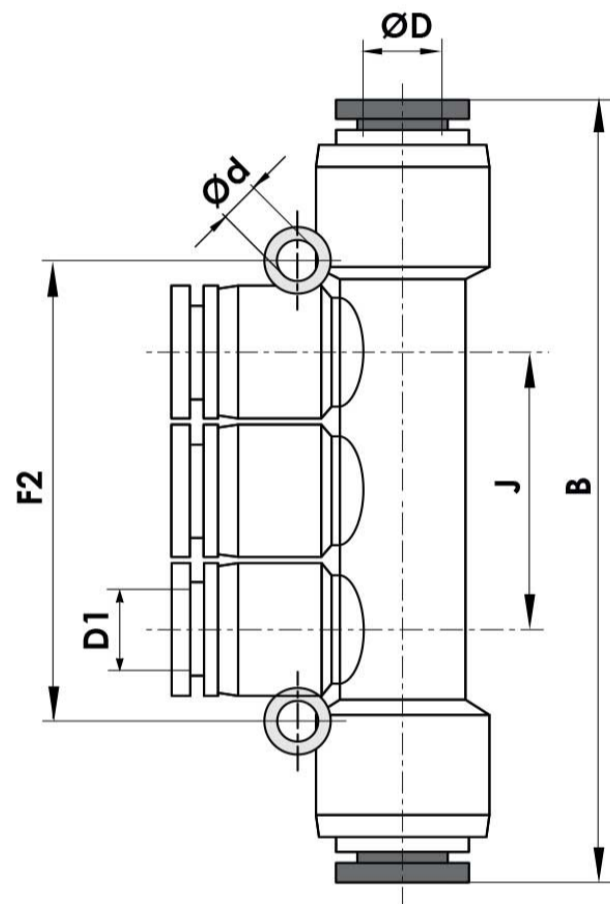
# RR

[Download datasheet](#)

## Product image



## Technical drawing



## Technical data

COD.	ØB	ØD	ØD1	Ød	J	F2	
RR0804GR	63,4	8	4	3,2	26	42	...
RR0806GR	63,4	8	6	3,2	26	42	...
RR0804BU	63,4	8	4	3,2	26	42	...
RR0806BU	63,4	8	6	3,2	26	42	...