

RM/92000/M, Short stroke cylinder

Magnetic piston, double acting



- > Ø 12 ... 100 mm
- > One third the basic length of a corresponding ISO/VDMA model
- > Low friction, long life seal design
- > Fully non-corrodible specification
- > Standard magnetic piston for full control system versatility



Technical features

Medium:

Compressed air, filtered, lubricated or non-lubricated

Operation:

Double acting, magnetic piston, non-cushioned

Operating pressure:

1 ... 10 bar (14 ... 145 psi)

Cylinder diameters:

12, 16, 20, 25, 32, 40, 50, 63, 80, 100 mm

Standard Strokes:

See table below

Non-standard strokes:

200 mm Ø 16 ... 25 mm
250 mm Ø 32 & 40 mm
300 mm Ø 50 ... 100 mm

Operating temperature:

-5 ... +80°C max. (+23 ... +176°F)
Air supply must be dry enough to avoid ice formation at temperatures below +2°C (+35°F).

Materials:

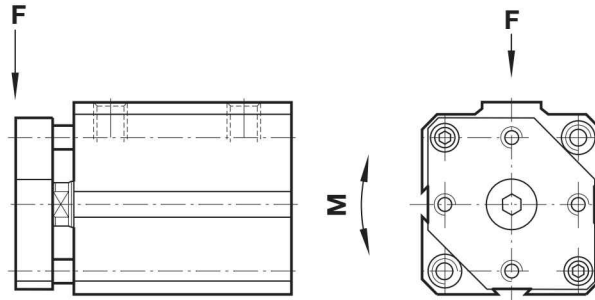
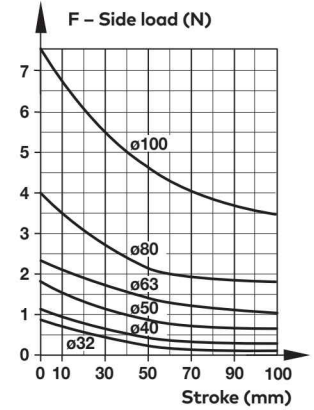
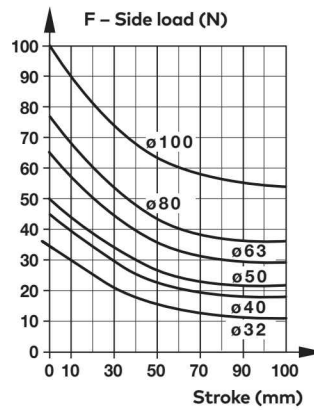
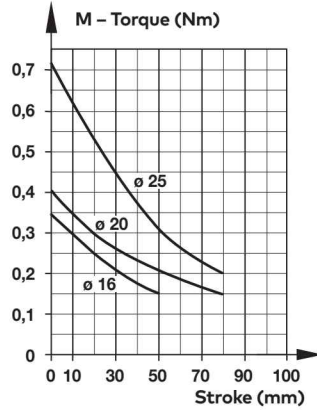
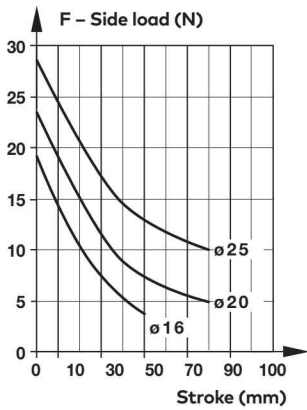
Barrel & end caps: Anodised aluminium alloy
Piston rod: stainless steel (Ø 12 ... 40 mm austenitic, Ø 50 ... 100 mm martensitic)
Seals: PUR and/or NBR

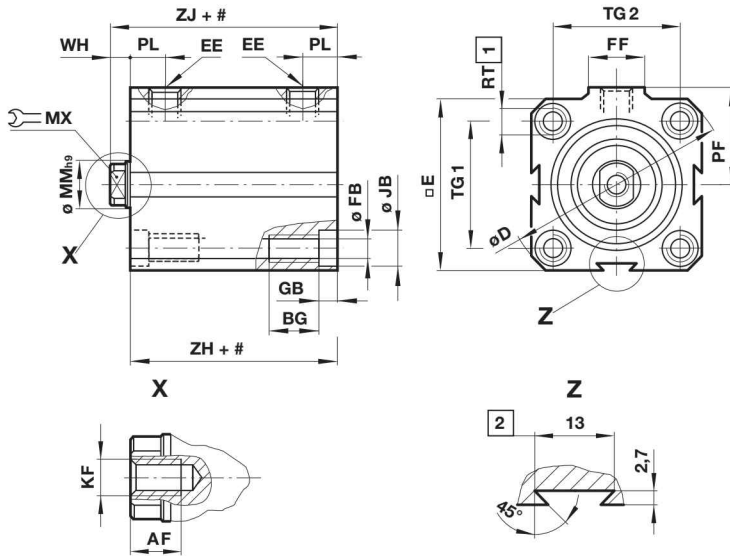
Technical data

Cylinder Ø (mm)	12	16	20	25	32	40	50	63	80	100
Port size	M 5	M 5	M 5	M 5	G 1/8	G 1/8	G 1/8	G 1/4	G 1/4	G 1/4
Piston rod Ø (mm)	6	8	10	12	16	16	20	20	25	25
Piston rod thread	M 3	M 4	M 5	M 6	M 8	M 8	M 10	M 12	M 16	M 16
Theoretical thrusts at 6 bar outstroke (N)	68	121	188	295	483	754	1178	1870	3016	4712
Theoretical thrusts at 6 bar instroke (N)	51	90	141	227	362	633	990	1682	2721	4418
Air consumption at 6 bar outstroke (l/cm)	0,008	0,014	0,022	0,035	0,056	0,088	0,138	0,218	0,352	0,55
Air consumption at 6 bar instroke (l/cm)	0,007	0,011	0,017	0,027	0,042	0,074	0,116	0,196	0,318	0,515

Standard strokes

Cylinder Ø (mm)	Stroke length (mm)										
	5	10	15	20	25	30	40	50	60	80	100
12	•	•	•	•	•	•	–	–	–	–	–
16	•	•	•	•	•	•	–	–	–	–	–
20	•	•	•	•	•	•	•	•	–	–	–
25	•	•	•	•	•	•	•	•	•	–	–
32	•	•	•	•	•	•	•	•	•	•	–
40	•	•	•	•	•	•	•	•	•	•	•
50	•	•	•	•	•	•	•	•	•	•	•
63	•	•	•	•	•	•	•	•	•	•	•
80	–	–	•	•	•	•	•	•	•	•	•
100	–	–	•	•	•	•	•	•	•	•	•

RM/92000/N4 – Cylinder with guide piston rod
Permissible load and torque

Permissible load and torque

Dimensions
RM/92000/M – Standard cylinder

 Dimensions in mm
 Projection/First angle


Stroke

- 1 Only the 4 front holes are tapped on stroke lengths of less than:
 Ø 25 and 32 mm: 5 mm,
 Ø 40 and 63 mm: 15 mm (.../N2: 5 mm),
 Ø 50 and 80 mm: 10 mm, Ø 100 mm: 25 mm (.../N2: 15 mm).
- 2 Note: Ø 12 to 20 mm feature only two side dovetails.

Ø	AF	BG	Ø D	□ E	EE	Ø FB	FF	GB	Ø JB	KF	Ø MM h9	MX	PF	PL	RT	TG 1 2	WH	ZH *1)	ZJ *1)	at 0 mm	per 5 mm	Model	
12	6	9	32,5	25	M 5	3,3	10	3,5	6	M 3	6	5	15	7	M 4	17	13	4,5	24	28,5	0,06 kg	0,04 kg	RM/92012/M/*
16	7	9	36,5	28	M 5	3,3	10	3,5	6	M 4	8	6	17	7,5	M 4	20	20	5,5	24,5	30	0,08 kg	0,04 kg	RM/92016/M/*
20	8	9	41,5	32	M 5	3,3	10	3,5	6	M 5	10	8	19,5	7,5	M 4	23	23	6	26	32	0,10 kg	0,06 kg	RM/92020/M/*
25	9	12	48	37	M 5	4,2	10	4,5	7,5	M 6	12	10	22	8	M 5	27	27	6,5	28,5	35	0,15 kg	0,07 kg	RM/92025/M/*
32	12	12	58	45	G1/8	4,2	18	4,5	7,5	M 8	16	13	27,5	9	M 5	33	33	6,5	29	35,5	0,25 kg	0,12 kg	RM/92032/M/*
40	12	16	71,5	55	G1/8	6,8	18	6,5	10,5	M 8	16	13	31,5	10	M 8	41	41	6,5	31,5	38	0,38 kg	0,15 kg	RM/92040/M/*
50	14	16	81	63	G1/8	6,8	18	6,5	10,5	M 10	20	17	37	10,5	M 8	48	48	8	35	43	0,45 kg	0,18 kg	RM/92050/M/*
63	16	20	104	80	G1/4	8,5	22	8,5	13,5	M 12	20	17	48	13	M 10	61	61	8	42,5	50,5	0,82 kg	0,26 kg	RM/92063/M/*
80	22	20	120	94	G1/4	8,5	22	8,5	13,5	M 16	25	22	57	14,5	M 10	73	73	9	47	56	1,20 kg	0,33 kg	RM/92080/M/*
100	22	25	148,5	116,5	G1/4	10,2	22	10,5	16,5	M 16	25	22	67	16	M 12	90,5	90,5	10	48,5	58,5	1,83 kg	0,42 kg	RM/92100/M/*

* Please insert standard stroke length.

*1) Plus s10 mm for stroke length > 50 mm