

R88D-1SN□□□-ECT

1S servo drive

Sysmac general purpose servo

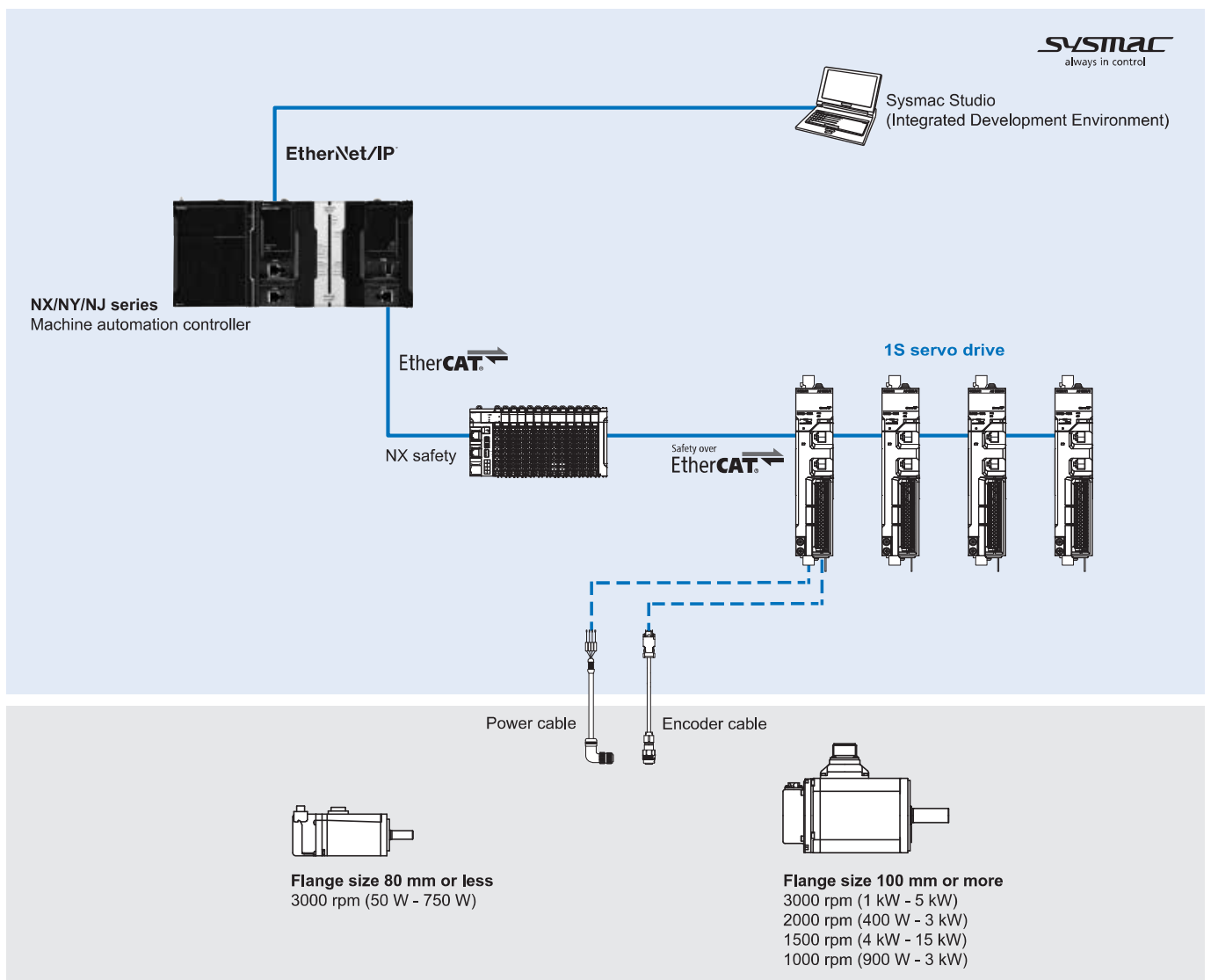
- 23-bit resolution encoder
- Fast and secure screw-less push-in in all connectors
- Pluggable connectors for easy pre-wiring and system maintenance
- Direct wiring of I/O signals
- Embedded relay for direct motor brake control
- Improved loop control for overshoot and quick setting time
- Safety function built-in:
 Network Safe Torque Off: PLd (EN ISO 13849-1), SIL2 (IEC 61508)
 Hardwired Safe Torque Off: PLe (EN ISO 13849-1), SIL3 (IEC 61508)

Ratings

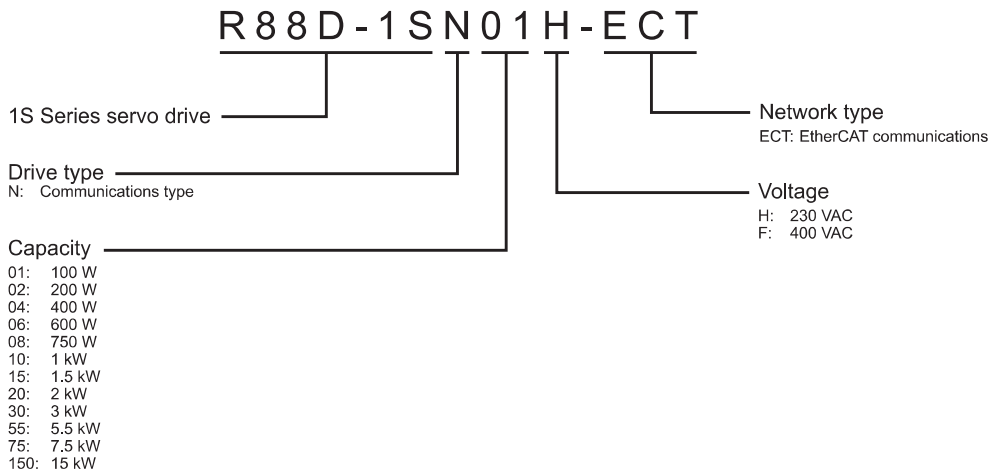
- 230 VAC single-phase: 100 W to 1.5 kW
- 400 VAC three-phase: 600 W to 15 kW



System configuration



Type designation



Specifications

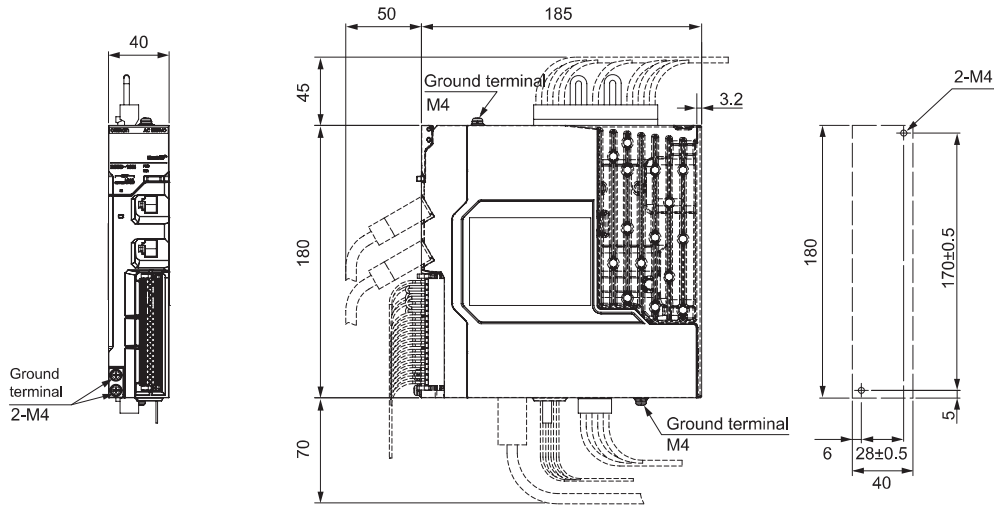
Single-phase, 230 V

| Servo drive model | | | R88D-1SN01H-ECT | R88D-1SN02H-ECT | R88D-1SN04H-ECT | R88D-1SN08H-ECT | R88D-1SN15H-ECT |
|--------------------------------|---------------------------------------|------------------------------|--|--------------------------|-------------------|-------------------|--|
| Applicable servo motor | 3000 r/min | | R88M-1M05030T R88M-1M10030(H/T) | R88M-1M20030(H/T) | R88M-1M40030(H/T) | R88M-1M75030(H/T) | R88M-1L1K030(H/T) R88M-1L1K530(H/T) |
| | 2000 r/min | | - | - | - | - | R88M-1M1K020(H/T) R88M-1M1K520(H/T) |
| | 1000 r/min | | - | - | - | - | R88M-1M90010T |
| Max. applicable motor capacity | | W | 100 | 200 | 400 | 750 | 1500 |
| Input | Control circuit | Power supply voltage | 24 VDC (21.6 to 26.4 V) | | | | |
| | Main circuit | Power supply voltage | Single-phase 200 to 240 VAC (170 to 252 V) | | | | |
| | | Frequency | Hz | 50/60 Hz (47.5 to 63 Hz) | | | |
| Rated input current | Single-phase | Arms | 1.8 | 2.7 | 4.6 | 7.3 | 15.7 |
| Output | Rated output current | Arms | 0.8 | 1.5 | 2.5 | 4.6 | 9.7 |
| | Max. current | Arms | 3.1 | 5.6 | 9.1 | 16.9 | 28.4 |
| Basic | Ambient operating/storage temperature | | 0 to 55°C/-20 to 65°C | | | | |
| | Ambient operating/storage humidity | | 90% RH or less (without condensation) | | | | |
| | Atmosphere | | Must be free from corrosive gases | | | | |
| | Altitude | | 1000 m or less | | | | |
| | Vibration resistance (max.) | | 5.88 m/s ² , 10 to 60 Hz (continuous operation at resonance point is not allowed) | | | | |
| Degree of protection | | IP20 (Built into IP54 panel) | | | | | |
| Weight | kg | | 1.2 | 1.2 | 1.5 | 2.0 | 3.4 |

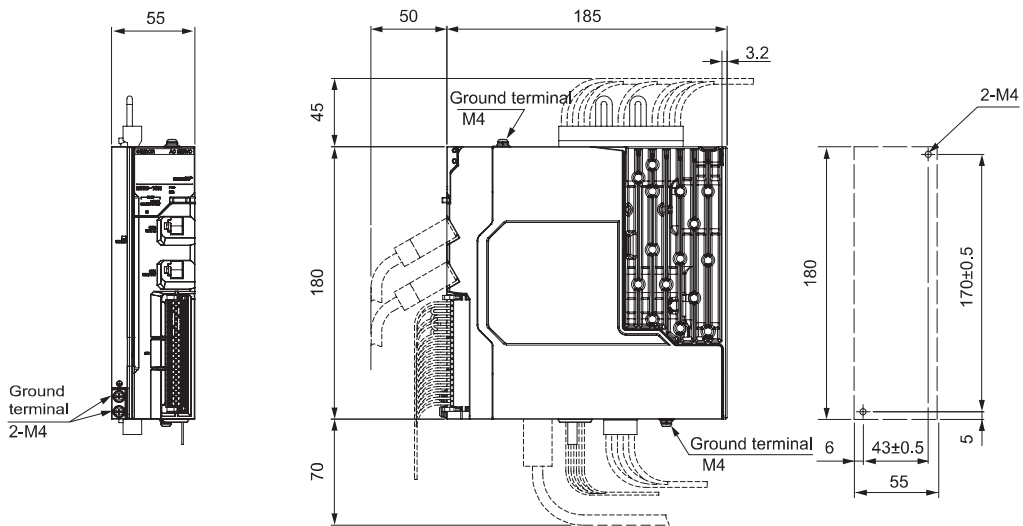
Dimensions

Servo drives

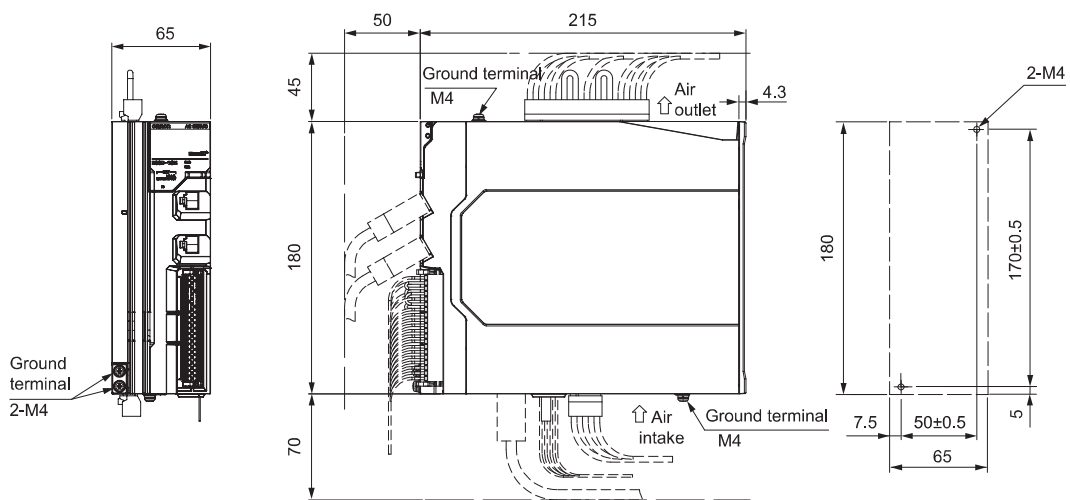
R88D-1SN01H-ECT/02H-ECT (230 V, 100 W to 200 W)



R88D-1SN04H-ECT (230 V, 400 W)



R88D-1SN08H-ECT (230 V, 750 W)



Servo drives

| Symbol | Specifications | | Compatible 1S servo motor | Model |
|-----------------|----------------------|------------------|---------------------------|-----------------|
| ④ | Single-phase 230 VAC | 50 W | R88M-1M05030T-□ | R88D-1SN01H-ECT |
| | | 100 W | R88M-1M10030(H/T)-□ | |
| | | 200 W | R88M-1M20030(H/T)-□ | R88D-1SN02H-ECT |
| | | 400 W | R88M-1M40030(H/T)-□ | R88D-1SN04H-ECT |
| | | 750 W | R88M-1M75030(H/T)-□ | R88D-1SN08H-ECT |
| | | 1.5 kW | R88M-1L1K030(H/T)-□ | R88D-1SN15H-ECT |
| | | | R88M-1L1K530(H/T)-□ | |
| | | | R88M-1M1K020(H/T)-□ | |
| | | | R88M-1M1K520(H/T)-□ | |
| | | | R88M-1M90010T-□ | |
| | Three-phase 400 VAC | 600 W | R88M-1M40020C-□ | R88D-1SN06F-ECT |
| | | | R88M-1M60020C-□ | |
| | | 1 kW | R88M-1L75030C-□ | R88D-1SN10F-ECT |
| | | | R88M-1L1K030C-□ | |
| | | | R88M-1M1K020C-□ | |
| | | | R88M-1M90010C-□ | |
| | | 1.5 kW | R88M-1L1K530C-□ | R88D-1SN15F-ECT |
| | | | R88M-1M1K520C-□ | |
| | | 2 kW | R88M-1L2K030C-□ | R88D-1SN20F-ECT |
| | | | R88M-1M2K020C-□ | |
| R88M-1M2K010C-□ | | | | |
| 3 kW | R88M-1L3K030C-□ | R88D-1SN30F-ECT | | |
| | R88M-1M3K020C-□ | | | |
| | R88M-1M3K010C-□ | | | |
| 5.5 kW | R88M-1L4K030C-□ | R88D-1SN55F-ECT | | |
| | R88M-1M4K015C-□ | | | |
| | R88M-1L5K030C-□ | | | |
| | R88M-1M5K515C-□ | | | |
| 7.5 kW | R88M-1M7K515C-□ | R88D-1SN75F-ECT | | |
| 15 kW | R88M-1M11K015C-□ | R88D-1SN150F-ECT | | |
| | R88M-1M15K015C-□ | | | |

Filters

| Symbol | Applicable 1S servo drive | Manufacturer | Rated current | Leakage current | Rated voltage | Model |
|--------|---|------------------------|---------------|-----------------|-----------------|-----------------|
| ⑤ | R88D-1SN01H-ECT, R88D-1SN02H-ECT | Schaffner EMC Co. Ltd. | 3 A | 7.83 mA | 250 VAC | R88A-FI1S103-SE |
| | R88D-1SN04H-ECT | | 5 A | | | R88A-FI1S105-SE |
| | R88D-1SN08H-ECT | | 8 A | | | R88A-FI1S108-SE |
| | R88D-1SN15H-ECT | | 16 A | | | R88A-FI1S116-SE |
| | R88D-1SN06F-ECT, R88D-1SN10F-ECT, R88D-1SN15F-ECT, R88D-1SN20F-ECT, R88D-1SN30F-ECT | 9 A | 1.2 mA | 400 VAC | R88A-FI1S309-SE | |
| | R88D-1SN55F-ECT, R88D-1SN75F-ECT | 30 A | 0.6 mA | | R88A-FI1S330-SE | |
| | R88D-1SN150F-ECT | 50 A | 2.4 mA | | R88A-FI1S350-SE | |

External regeneration resistor

| Symbol | Resistance value | Regeneration absorption for 120°C temperature rise | Nominal capacity | Model |
|--------|------------------|--|------------------|--------------|
| ⑥ | 25 Ω | 24 W | 120 W | R88A-RR12025 |
| | 20 Ω | 60 W | 300 W | R88A-RR30020 |
| | 25 Ω | | | R88A-RR30025 |
| | 33 Ω | | | R88A-RR30033 |
| | 16 Ω | | | R88A-RR30016 |
| | 10 Ω | | | R88A-RR30010 |

⑦ USB cable

Use a commercially available USB cable that is double-shielded, gold-plated and supports USB 2.0. The Micro B type USB cable can be used.

Machine controller

| Symbol | Name | | Model |
|--------|--------------------|---|---------|
| ⑧ | Industrial PC | Box PC type | NY512-□ |
| | | Panel PC type (Box PC + Monitor integrated) | NY532-□ |
| | Modular controller | NX7 series | NX701-□ |
| | | NJ series | NJ□01-□ |
| | | NX1 series | NX102-□ |
| | Compact controller | NX1P series | NX1P2-□ |