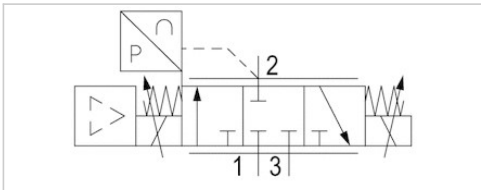


E/P pressure regulator, Series ED02

- Qn = 120 l/min
- Compressed air connection output G 1/8, 1/8 NPT
- Electr. connection via signal connection
- Signal connection input and output, Plug, M12, 5-pin



Type	Poppet valve
Mounting orientation	$\pm\alpha = 0 \dots 90^\circ$ $\pm\beta = 0 \dots 90^\circ$
Certificates	CE declaration of conformity
Working pressure max	See table below
Ambient temperature min./max.	0 ... 50 °C
Medium temperature min./max.	0 ... 50 °C
Compressed air connection input	G 1/8 1/8 NPT
Compressed air connection output	G 1/8, 1/8 NPT
Medium	Compressed air
Max. particle size	50 μm
Oil content of compressed air	1 mg/m ³
Nominal flow Qn	120 l/min
Control	Analog
DC operating voltage	24 V
Voltage tolerance DC	-20% / +20%
Permissible ripple	5%
Max. power consumption	300 mA
Protection class	IP65
Weight	0,32 kg
	Nominal flow Qn with working pressure 7 bar , with secondary pressure 6 bar and $\Delta p = 0.2$ bar

Technical data

Part No.	Working pressure max	Pressure setting range min./max.	Nominal input value
			Min./max.
R414001197	-	0 ... -1 bar	0 ... 10 V
R414001198	1,5 bar	-1 ... 1 bar	0 ... 20 mA
R414001199	1,5 bar	-1 ... 1 bar	4 ... 20 mA
R414001200	1,5 bar	-1 ... 1 bar	0 ... 10 V
R414002405	0,7 bar	0 ... 0,3 bar	0 ... 20 mA
R414002406	0,7 bar	0 ... 0,3 bar	4 ... 20 mA
R414002407	0,7 bar	0 ... 0,3 bar	0 ... 10 V
R414002408	0,7 bar	0 ... 0,3 bar	0 ... 10 V
R414003364	3 bar	0 ... 1 bar	0 ... 20 mA
R414003365	3 bar	0 ... 1 bar	4 ... 20 mA
R414004660	3 bar	0 ... 1 bar	0 ... 10 V
R414003879	3 bar	0 ... 1 bar	0 ... 10 V
R414003370	7 bar	0 ... 2 bar	0 ... 20 mA
R414003371	7 bar	0 ... 2 bar	4 ... 20 mA
R414003372	7 bar	0 ... 2 bar	0 ... 10 V
R414003373	7 bar	0 ... 2 bar	0 ... 10 V

Part No.	Working pressure max	Pressure setting range min./max.	Nominal input value
			Min./max.
R414002400	8 bar	0 ... 6 bar	0 ... 20 mA
R414002401	8 bar	0 ... 6 bar	4 ... 20 mA
R414002402	8 bar	0 ... 6 bar	0 ... 10 V
R414002403	8 bar	0 ... 6 bar	0 ... 10 V
R414002410	12 bar	0 ... 10 bar	0 ... 20 mA
R414002411	12 bar	0 ... 10 bar	4 ... 20 mA
R414002412	12 bar	0 ... 10 bar	0 ... 10 V
R414002413	12 bar	0 ... 10 bar	0 ... 10 V

Part No.	Actual output value	Control	Hysteresis	Fig.	
	Min./max.				
R414001197	0 ... 10 V	Analog	0.01 bar	Fig. 2	-
R414001198	0 ... 20 mA	Analog	0.02 bar	Fig. 1	-
R414001199	4 ... 20 mA	Analog	0.02 bar	Fig. 1	-
R414001200	0 ... 10 V	Analog	0.02 bar	Fig. 2	-
R414002405	0 ... 20 mA	Analog	0.003 bar	Fig. 1	-
R414002406	4 ... 20 mA	Analog	0.003 bar	Fig. 1	-
R414002407	10 V	Analog	0.003 bar	Fig. 3	1)
R414002408	0 ... 10 V	Analog	0.003 bar	Fig. 2	-
R414003364	0 ... 20 mA	Analog	0.01 bar	Fig. 1	-
R414003365	4 ... 20 mA	Analog	0.01 bar	Fig. 1	-
R414004660	10 V	Analog	0.01 bar	Fig. 3	1)
R414003879	0 ... 10 V	Analog	0.01 bar	Fig. 2	-
R414003370	0 ... 20 mA	Analog	0.025 bar	Fig. 1	-
R414003371	4 ... 20 mA	Analog	0.025 bar	Fig. 1	-
R414003372	10 V	Analog	0.025 bar	Fig. 3	1)
R414003373	0 ... 10 V	Analog	0.025 bar	Fig. 2	-
R414002400	0 ... 20 mA	Analog	0.05 bar	Fig. 1	-
R414002401	4 ... 20 mA	Analog	0.05 bar	Fig. 1	-
R414002402	-	Analog	0.05 bar	Fig. 3	1)
R414002403	0 ... 10 V	Analog	0.05 bar	Fig. 2	-
R414002410	0 ... 20 mA	Analog	0.05 bar	Fig. 1	-
R414002411	4 ... 20 mA	Analog	0.05 bar	Fig. 1	-
R414002412	-	Analog	0.05 bar	Fig. 3	1)
R414002413	0 ... 10 V	Analog	0.05 bar	Fig. 2	-

Minimum working pressure = 0.5 bar + max. required secondary pressure, Additional pressure setting ranges available on request

1) Output 10V constant to supply a set point potentiometer.

Technical information

The min. control pressure must be adhered to, since otherwise faulty switching and valve failure may result!

The pressure dew point must be at least 15 °C under ambient and medium temperature and may not exceed 3 °C .

The oil content of compressed air must remain constant during the life cycle.

Use only the approved oils from AVENTICS. Further information can be found in the "Technical information" document (available in the MediaCentre).

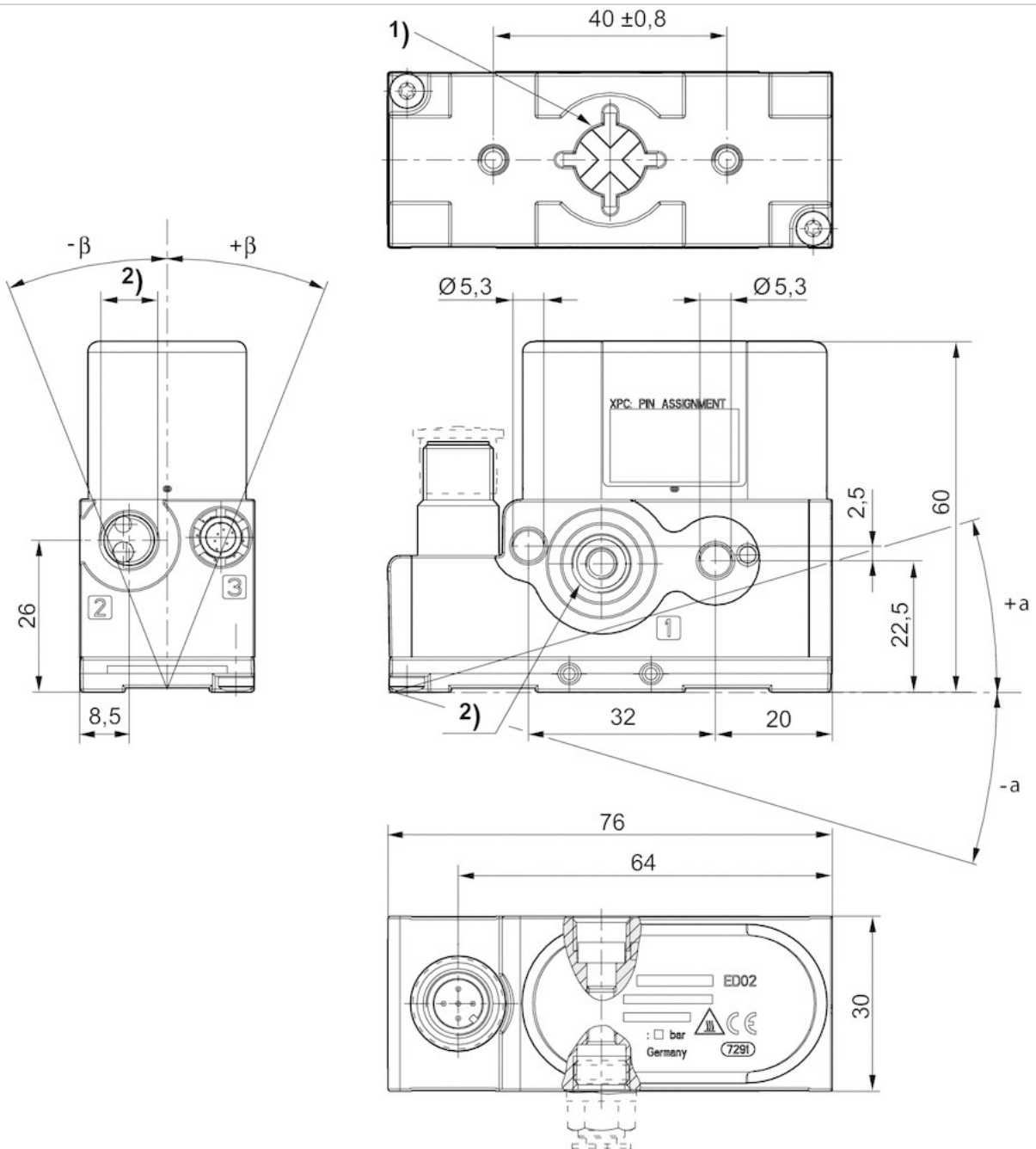
With oil-free, dry air, other installation positions are possible on request.
ED02 series valves can be assembled into blocks using tie rods (see accessories).
The protection class is only ensured when the plug is mounted properly. For detailed information, see operating instructions.
The compressed air connection threads fit both G 1/8 and 1/8 NPTF.

Technical information

Material	
Housing	Die-cast aluminum Steel
Seals	Hydrogenated acrylonitrile butadiene rubber

Dimensions

Dimensions



1) Housing exhaust

2) Universal threaded connection, suitable for G1/8 according to ISO 228/1:2000 and 1/8-27 NPTF