

## General purpose stainless steel regulators

R05, B05  
Pressure regulators and filters/regulators  
1/4" PTF

### Description

Medium: compressed air only  
Maximum inlet pressure: 17 bar  
Gauge ports: 1/8" PTF  
Ambient temperature: -34 °C up to +66 °C

Consult our Technical Services for use below +2 °C

### Material

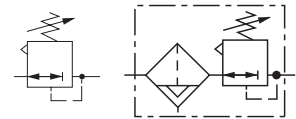
Body: stainless steel body  
Adjusting knob/bonnet: acetal resin  
Elastomers: FPM  
Filter element: polypropylene



### Features

- Metallic parts meet NACE\* recommendations
- Miniature high corrosion resistant design
- Adjusting knob has snap-action lock
- Particularly suitable for marine, petro-chemical, food processing, medical, dental and similar applications
- Panel mounting facility

\* National Association of Corrosion Engineers - recognised oil-field recommendation for resistance to sulphide stress cracking common in well-head and other corrosive environments



### Alternative models

Non-relieving versions. Contact our Technical Services for details

## General purpose stainless steel regulators

Connection size	Flow		Operating pressure bar	Operation	Weight kg	Series	Service kit
	dm <sup>3</sup> /s	m <sup>3</sup> /h*					
1/4 PTF	3	11	0.2 - 3.5	Relieving	0.20	R05-200-RNEA	3407-71
1/4 PTF	3	11	0.3 - 8.6	Relieving	0.20	R05-200-RNLA	3407-71

\* Typical flow with 7 bar inlet pressure, 6.3 bar set pressure and a droop of 1 bar

## General purpose filter-regulators

Connection size	Flow		Element µm	Drain	Operating pressure bar	Operation	Weight kg	Series	Service kit
	dm <sup>3</sup> /s	m <sup>3</sup> /h*							
1/4 NPTF	4	14	5	Manual	0.2 - 3.5	Relieving	0.42	B05-233-M1EA	3820-08
1/4 NPTF	5	18	5	Manual	0.3 - 8.6	Relieving	0.42	B05-233-M1LA	3820-08

\* Can be adjusted to zero outlet pressure, and, generally, to pressures in excess of those specified

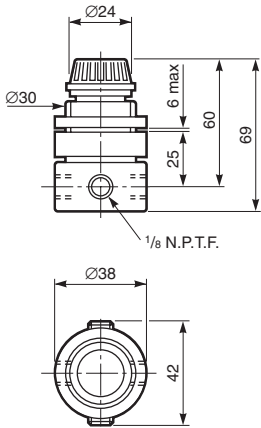
\*\* Typical flow with 12 bar inlet pressure, 3 bar / 8 bar set pressure and a droop of 1 bar

## Accessories

Series	Gauge (0 - 6 bar)*	Panel mounting
R05	18-013-844	2962-89 (nut only)
B05	18-013-844	2962-89 (nut only)

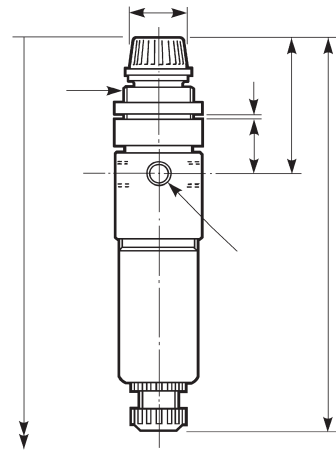
\* Other pressure ranges available

### R05

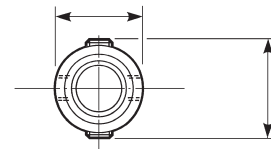


Weight: 0.20 kg

### B05



### Manual drain

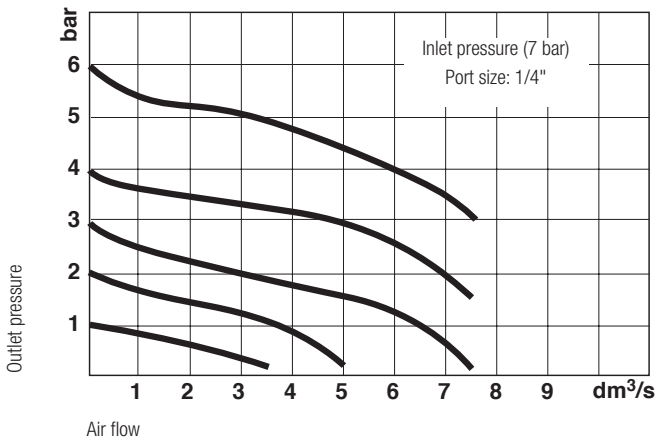


Weight: 0.42 kg

\* Minimum clearance required to remove bowl from body

## Flow characteristics

### R05



### B05

