

Product data sheet

Specifications

SQUARE D

Green Premium™



LOAD Center QO MLO 240V 125A 3PH 12SP

QO312L125G

Product availability : Stock - Normally stocked in distribution facility

Price* : 332.00 USD

Main

Marketing Trade Name	QO
Product Type	Load Center
Cover Type	Order separately

Complementary

Tightening Torque	Main lugs 50 lb.in, AWG 6...AWG 2/0, aluminium/copper Cover 20 lb.in
Load Center Type	Main lugs
Rated Current	125 A
Number of Spaces	12
Max Short Circuit Current Rating	65 kA
Maximum Number of Single Pole Circuits	12
Maximum Number of Tandem Breakers	0
Number of Phases	3 phase
Voltage Rating	208Y/120 V AC 240/120 V delta AC 240 V delta AC
Wire Size	AWG 6...AWG 2/0 aluminium/copper
Ground Bar	Grounding bar included (not installed)
Electrical Connection	Lugs
Wiring Configuration	3-wire 4-wire
Busbar Material	Tin plated copper busbar
Enclosure Material	Welded sheet steel
Surface Finish	Baked enamel Gray
Box Number	6
Height	17.91 in (455 mm)
Width	14.25 in (362 mm)

* Price is "List Price" and may be subject to a trade discount – check with your local distributor or retailer for actual price.

Environment

Enclosure Rating	NEMA 1 indoor
Ambient Air Temperature for Operation	23 °F (-5 °C) 104 °F (40 °C)
Product Certifications	UL Listed

Ordering and shipping details

Category	00011 - QO 3PH LOAD CENTER,INDOOR
Discount Schedule	DE3
GTIN	785901295037
Nbr. of units in pkg.	1
Package weight(Lbs)	11.00 lb(US) (4.99 kg)
Returnability	Yes
Country of origin	US

Packing Units

Unit Type of Package 1	PCE
Package 1 Height	6.30 in (16.002 cm)
Package 1 width	16.50 in (41.91 cm)
Package 1 Length	19.20 in (48.768 cm)
Unit Type of Package 2	PAL
Number of Units in Package 2	54
Package 2 Weight	596.21 lb(US) (270.438 kg)
Package 2 Height	40.00 in (101.6 cm)
Package 2 width	40.00 in (101.6 cm)
Package 2 Length	48.00 in (121.92 cm)

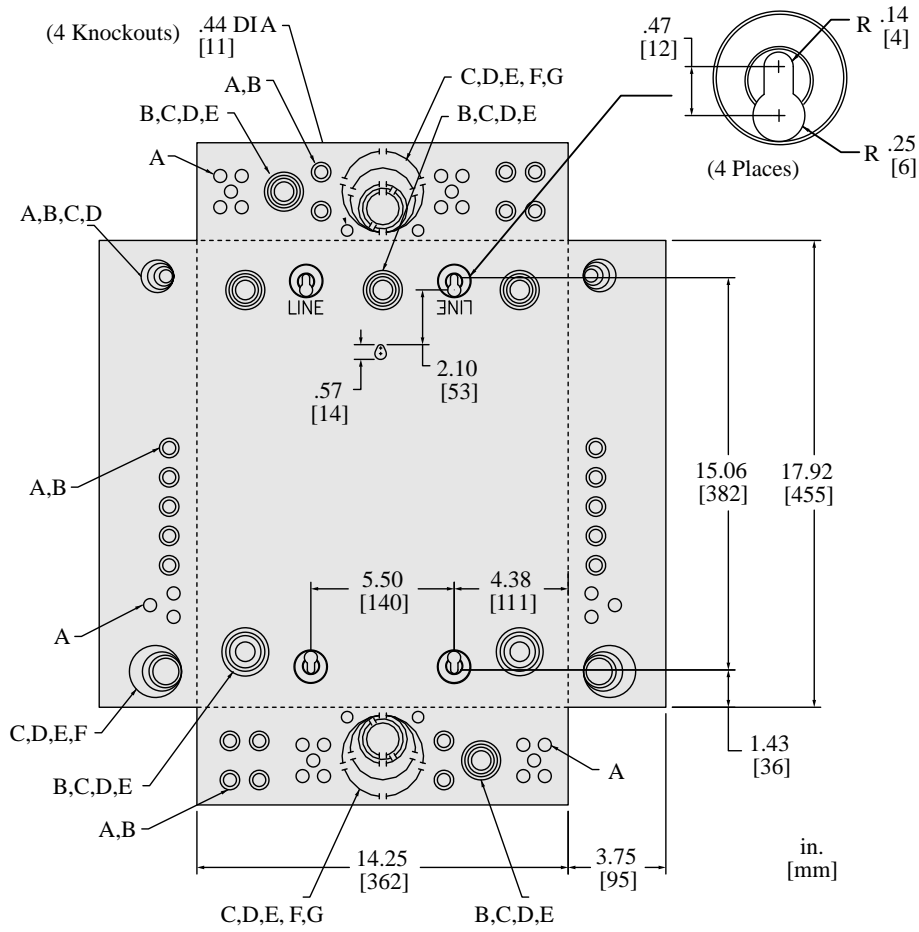
Offer Sustainability

Sustainable offer status	Green Premium product
California proposition 65	WARNING: This product can expose you to chemicals including: Lead and lead compounds, which is known to the State of California to cause cancer and birth defects or other reproductive harm. For more information go to www.P65Warnings.ca.gov
REACH Regulation	REACH Declaration
REACH free of SVHC	Yes
EU RoHS Directive	Compliant EU RoHS Declaration
Toxic heavy metal free	Yes
Mercury free	Yes
RoHS exemption information	Yes
China RoHS Regulation	China RoHS declaration Pro-active China RoHS declaration (out of China RoHS legal scope)

Contractual warranty

Warranty	18 months
----------	-----------

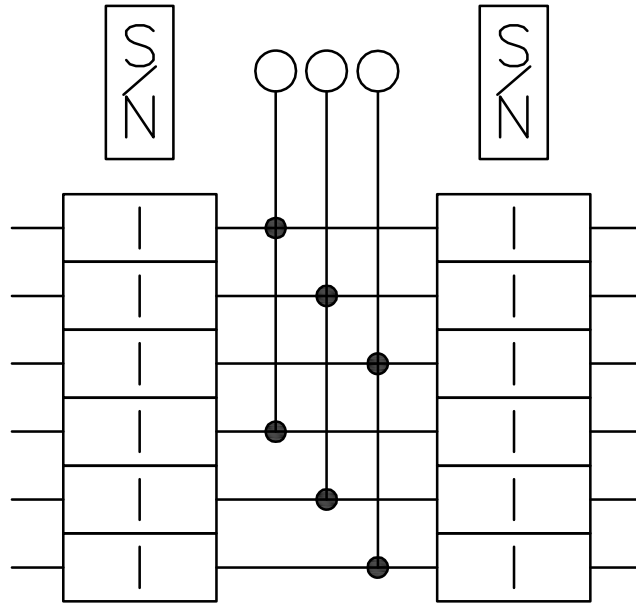
Dimensions



KNOCKOUTS		
SYMBOL	CONDUIT SIZE	
	IN	MM
A	.50	13
B	.75	19
C	1.00	25
D	1.25	32
E	1.50	38
F	2.00	51
G	2.50	64

All dimensions are approximate. Also refer to technical drawings and documentation.

Wiring Diagram



Q0312L125G
Q0312L100GNYC