

PSR-SPP- 24DC/TS/M - Safety module



2986025

<https://www.phoenixcontact.com/pc/products/2986025>

Please be informed that the data shown in this PDF document is generated from our Online Catalog. Please find the complete data in the user documentation. Our General Terms of Use for Downloads are valid.



Freely configurable safety module, with 20 safe inputs and 4 safe outputs, 4 signal, 2 clock, and 2 ground switching outputs; can be extended using additional I/O modules, up to SILCL 3, Cat. 4/PL e, SIL 3, EN 50156, pluggable Push-in terminal block

Your advantages

- Freely configurable safety module for monitoring emergency stops, safety doors, light grids, etc.
- Up to Cat. 4/PL e in accordance with ISO 13849-1, SIL 3 in accordance with IEC 62061, SIL 3 in accordance with IEC 61508
- EN 50156
- Flexible extension with safe inputs and outputs
- Quick startup thanks to comprehensive simulation and test functions
- Easy graphical configuration instead of complex programming
- Safe and standard extension via INTERFACE DIN rail TBUS
- Option for connecting fieldbus gateways for diagnostics and signaling functions
- Easy graphical configuration with the SAFECONF software
- Including IFS-CONFSTICK memory stick for easily storing and saving the configuration
- Multifunctional use for a wide range of safety functions
- With 20 safe inputs, 4 safe outputs, 4 alarm outputs, and 2 clock outputs on a design width of just 67.5 mm

Commercial Data

Item number	2986025
Packing unit	1 pc
Minimum order quantity	1 pc
Product Key	DNA312
Catalog Page	Page 261 (C-6-2019)
GTIN	4046356345897
Weight per Piece (including packing)	406.5 g
Weight per Piece (excluding packing)	154 g
Customs tariff number	85371098
Country of origin	DE

Technical Data

Product properties

Product type	Safety device
Application	Emergency stop
	Light grid
	Safety door
	Two-hand control
Number of possible extension modules	1 (max. continuous current via PSR-TBUS: 4 A)
Number of possible safe extension modules	10 (max. continuous current via PSR-TBUS: 4 A)

Insulation characteristics: Air clearances and creepage distances between the power circuits

Overvoltage category	III
Pollution degree	2

Times

Response time	max. 30 ms (plus response time of PSR-TS-SDOR4)
Recovery time	< 10 s

Electrical properties

Maximum power dissipation for nominal condition	6372 mW (at a = 20, b = 2, c = 4, e = 2, $I_{\text{clock}} = 100 \text{ mA}$, $I_{\text{signal}} = 100 \text{ mA}$, $I_{\text{Out/GND}} = 2 \text{ A}$, $I_{\text{Out/Out}} = 2 \text{ A}$)
Nominal operating mode	100% operating factor
Interfaces	USB
	DIN rail TBUS for extension modules and bus couplers

Supply

Rated control circuit supply voltage U_S	18 V DC ... 30 V DC (Incl. all tolerances, incl. residual ripple)
Rated control circuit supply voltage U_S	24 V DC (A1/A2)
Rated control supply current I_S	typ. 110 mA
Limiting continuous current	max. 6 A (For looped-through current paths A1/A1 and A2/A2)
Filter time	typ. 20 ms (Load-dependent, in the event of voltage dips at U_S)
Protective circuit	Yes, within the scope of the operating voltage limits
Status display	3x LED green, 1x LED red

Input data

Digital

Description of the input	Digital, type HTL
Number of inputs	10 (Two-channel, up to SIL 3)
	20 (Single-channel, up to SIL 2)
Input voltage range "0" signal	0 V DC ... 5 V DC (for safe Off)
Input voltage range "1" signal	11 V DC ... 30 V DC
Cable length	max. 2000 m
Status display	20 x LED green (1 LED per input)
Current consumption	typ. 4 mA

Output data

Digital

Number of outputs	4 (Safe semiconductor outputs, up to Cat. 4 in accordance with EN ISO 13849-1)
	2 (Ground switching outputs)
Note on protection circuit	Yes, within the scope of the operating voltage limits
Short-circuit protection	Yes
Output voltage	< 5 V (Low state)
Leakage current	max. 2 mA
Max. capacitive load	max. 1 µF (Electronic components)
Max. inductive load	See "Protective circuit"
Limiting continuous current	2 A (Per channel, see Derating)
	2 A (Total current of all outputs)
Nominal output voltage	24 V DC (Supply via 24 V/0 V)
Nominal output voltage range	18 V DC ... 30 V DC (Incl. all tolerances, incl. residual ripple)
Status display	4 x LED green (1 LED per output)
Test pulses	< 1 ms

Signal

Output description	Digital
Number of outputs	4
Voltage	24 V DC (Supply via 24 V/0 V)
Limiting continuous current	100 mA
Short-circuit protection	Yes

Clock

Output description	Digital
Number of outputs	2
Voltage	24 V DC (Supply via 24 V/0 V)
Limiting continuous current	100 mA
Test pulses	< 1 ms
Short-circuit protection	Yes

Connection data

Connection technology

pluggable	yes
-----------	-----

Conductor connection

Connection method	Push-in connection
Conductor cross section rigid	0.2 mm ² ... 1.5 mm ²
Conductor cross section, flexible, with ferrule, with plastic sleeve	0.25 mm ² ... 1.5 mm ² (only together with CRIMPFOX 6)
Conductor cross section flexible, with ferrule without plastic sleeve	0.25 mm ² ... 1.5 mm ² (only together with CRIMPFOX 6)
Conductor cross-section AWG	24 ... 16

Stripping length	8 mm
------------------	------

Dimensions

Width	67.5 mm
Height	112 mm
Depth	114.5 mm

Material specifications

Color	yellow
Housing material	Polyamide PA non-reinforced

Characteristics

Safety data

Stop category	0
---------------	---

Safety data: EN ISO 13849

Category	2 (1-channel parameterization)
	4 (2-channel parameterization)
Performance level (PL)	d (1-channel parameterization)
	e (2-channel parameterization)

Safety data: EN 50156

Safety Integrity Level (SIL)	max. 3 (Reference IEC 61508)
------------------------------	------------------------------

Safety data: IEC 61508 - High demand

Safety Integrity Level (SIL)	2 (1-channel parameterization)
	3 (2-channel parameterization)
Proof test interval	240 Months
Duration of use	240 Months

Safety data: IEC 61508 - Low demand

Safety Integrity Level (SIL)	2 (1-channel parameterization)
Proof test interval	240 Months
Duration of use	240 Months

Environmental and real-life conditions

Ambient conditions

Degree of protection	IP20
Min. degree of protection of inst. location	IP54
Ambient temperature (operation)	-20 °C ... 55 °C
Ambient temperature (storage/transport)	-20 °C ... 70 °C
Maximum altitude	max. 2000 m (See Appendix "Using PSR-TRISAFE modules at altitudes greater than 2000 m above sea level")
Max. permissible humidity (storage/transport)	75 % (On average, 85 % occasionally)
Max. permissible relative humidity (operation)	75 % (On average, 85 % occasionally)
Shock (operation)	10g ($\Delta t = 11$ ms, three shocks in each space direction)

PSR-SPP- 24DC/TS/M - Safety module



2986025

<https://www.phoenixcontact.com/pc/products/2986025>

	10g ($\Delta t = 16$ ms, continuous shock, 1000 shocks in each space direction)
Vibration (operation)	2g
Air pressure (operation)	70 kPa ... 108 kPa (up to 3000 m above sea level)
Air pressure (storage/transport)	66 kPa ... 108 kPa (up to 3500 m above sea level)

Standards and regulations

Air clearances and creepage distances between the power circuits

Standards/regulations	DIN EN 50178
-----------------------	--------------

Mounting

Mounting type	DIN rail mounting
Mounting position	On horizontal DIN rail
Connection method	Push-in connection

PSR-SPP- 24DC/TS/M - Safety module

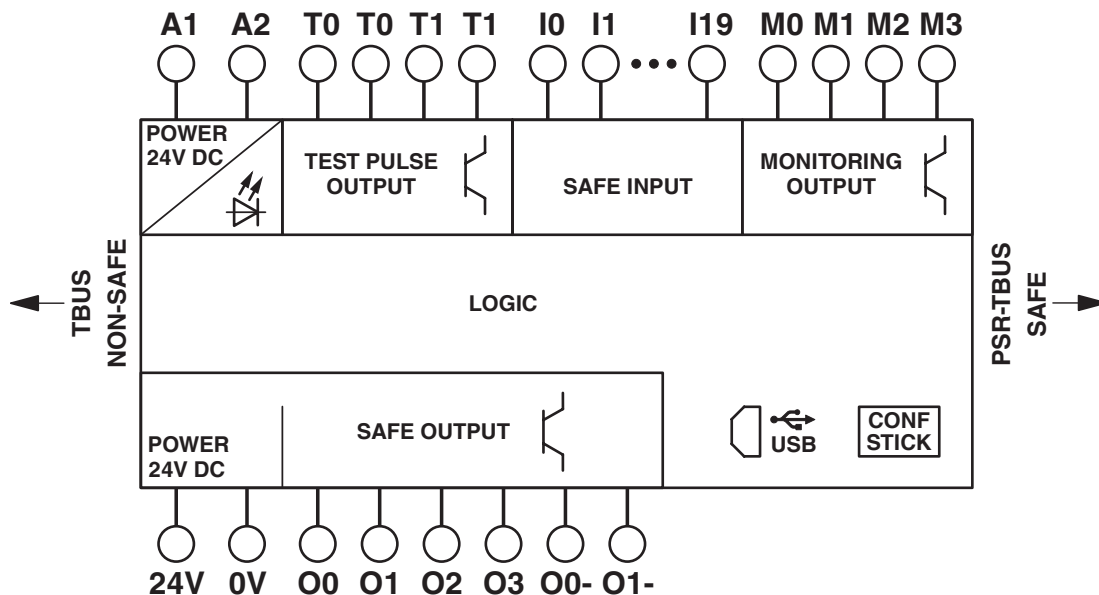


2986025

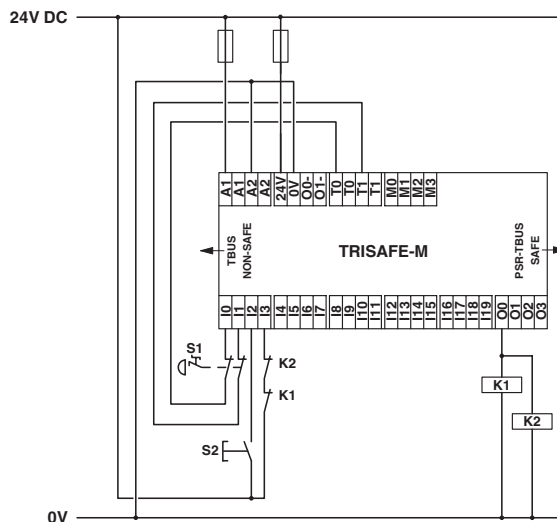
<https://www.phoenixcontact.com/pc/products/2986025>

Drawings

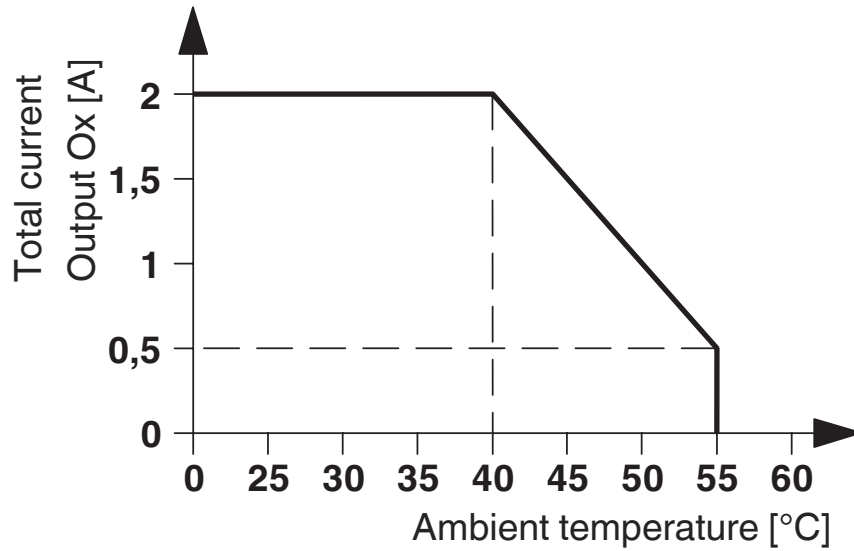
Circuit diagram



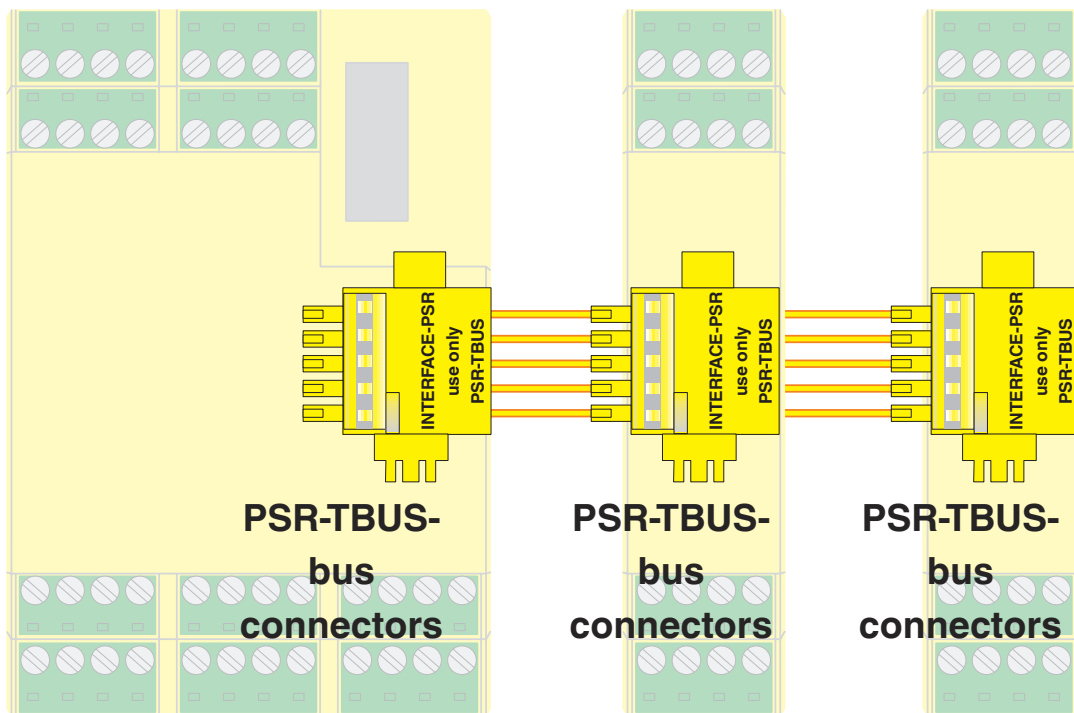
Application drawing



Diagram



Connection diagram



PSR-TBUS DIN rail connectors are used for cross-wiring between the modules.

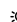
PSR-SPP- 24DC/TS/M - Safety module



2986025

<https://www.phoenixcontact.com/pc/products/2986025>

Approvals

 To download certificates, visit the product detail page: <https://www.phoenixcontact.com/pc/products/2986025>



UL Listed

Approval ID: FILE E 140324



cUL Listed

Approval ID: FILE E 140324

2986025

<https://www.phoenixcontact.com/pc/products/2986025>

Classifications

ECLASS

ECLASS-11.0	27371819
ECLASS-13.0	27371819
ECLASS-12.0	27371819

ETIM

ETIM 8.0	EC001449
----------	----------

UNSPSC

UNSPSC 21.0	39122200
-------------	----------

PSR-SPP- 24DC/TS/M - Safety module



2986025

<https://www.phoenixcontact.com/pc/products/2986025>

Environmental Product Compliance

REACH SVHC	Lead 7439-92-1
China RoHS	Environmentally Friendly Use Period = 50 years
	For information on hazardous substances, refer to the manufacturer's declaration available under "Downloads"