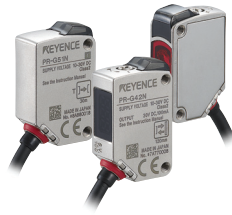


Self-contained Photoelectric Sensor

PR-G□N/P Series

User's Manual



Read this manual before using the product in order to achieve maximum performance.
Keep this manual in a safe place after reading it so that it can be used at any time.

The following symbols alert you to important messages.
Be sure to read these messages carefully.

WARNING	It indicates a hazardous situation which, if not avoided, could result in death or serious injury.
NOTICE	It indicates a hazardous situation which, if not avoided, could result in minor or moderate injury.

Safety Information for PR-G□N/P Series

WARNING	<ul style="list-style-type: none"> This product is only intended to detect object(s). Do not use this product to protect a human body or part of a human body. This product is not intended for use as an explosion-proof product. Do not use this product in a hazardous location and/or potentially explosive atmosphere. This product uses DC power. The product may explode or burn if an AC voltage is applied.
NOTICE	<ul style="list-style-type: none"> Do not wire the sensor together with power lines or high voltage lines. If the sensor is wired together with power lines or high voltage lines, there is a risk of malfunction from noise or damage to the sensor. When using a commercially available switching regulator, always ground the frame and ground terminal. Do not use the sensor outdoors or in locations where ambient light hits the receiving surface.

Precautions on Regulations and Standards

■ UL Certificate (Only connector type)

- PR-GxxCxx and PR-GxxC3xx are UL/C-UL Listed products.
- UL File No.: E301717, Category: NRKH/NRKH7, Enclosure Type 1 (UL50)
- Be sure to consider the following specifications when using this product as an UL/C-UL Listed product.
- Use a power supply with Class 2 output defined in NFPA70 (NEC: National Electrical Code).
 - Power supply and control output circuits shall be connected to a single Class 2 source only.
 - Use with an over current protection device which is rated 30 V or more and not more than 2 A.

■ CE Marking

Keyence Corporation has confirmed that this product complies with the essential requirements of the applicable EC Directive(s), based on the following specifications. Be sure to consider the following specifications when using this product in the Member States of European Union.

● EMC Directive (2004/108/EC)

- Applicable Standard EMI : EN60947-5-2, Class A / EMS : EN60947-5-2
- Use PR-GxxCxx and PR-GxxC3xx with the enclosure connected to the earth.

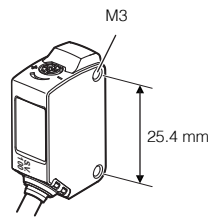
These specifications do not give any guarantee that the end-product with this product incorporated complies with the essential requirements of EMC Directive. The manufacturer of the end-product is solely responsible for the compliance on the end-product itself according to EMC Directive.

Packed Items

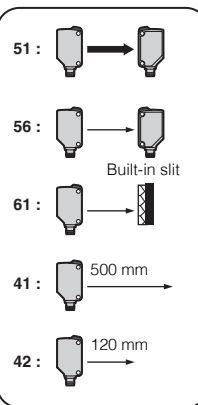
- PR-G sensor
- Instruction Manual

Interpreting the Part Number

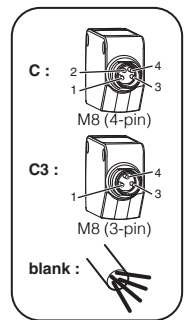
PR-G 51 C N □
(1) (2) (3) (4)



(1) Detection type



(2) Cable connection



(3) Output type

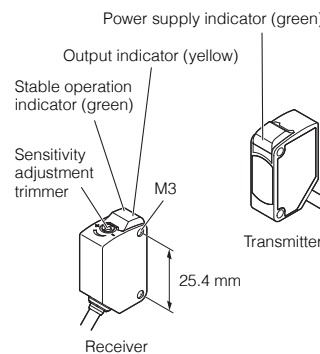
N : NPN
P : PNP

(4) Output operation

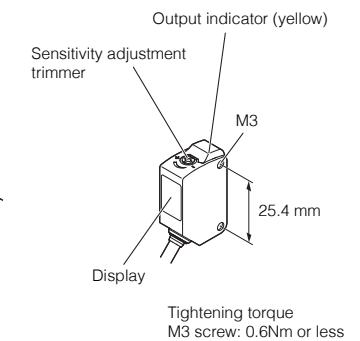
D : D.ON
blank : D.ON + L.ON

Sensor Head Components

■ Thrubeam type

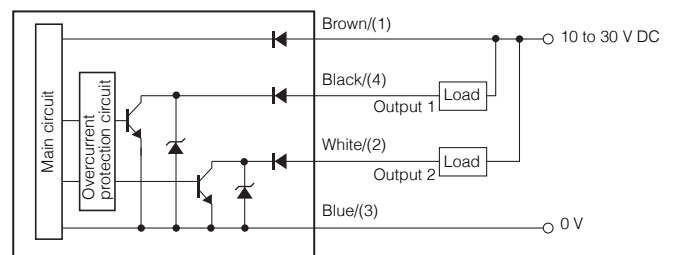


■ Reflective type, Retro-Reflective type

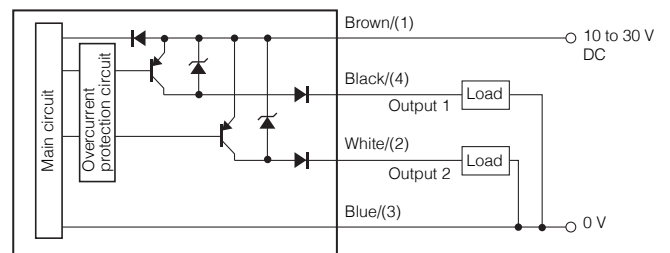


Wiring

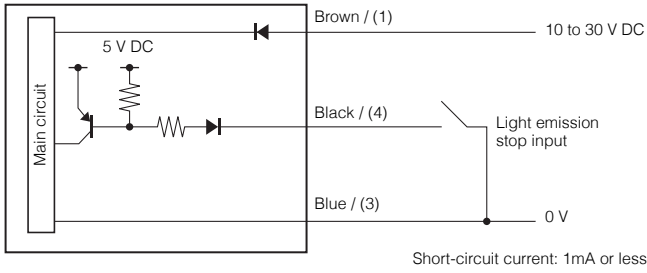
■ NPN



■ PNP



Thrubeam type transmitter



Connector type pin layout

M8 connector (4-pin) type



M8 connector (3-pin) type

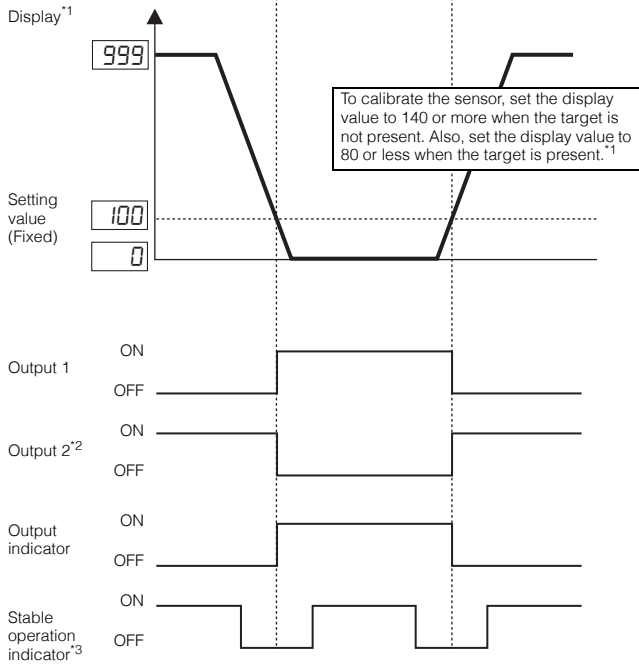
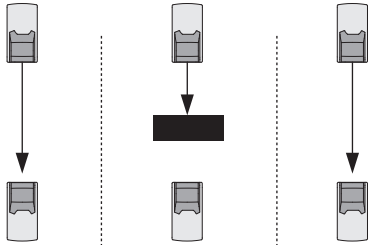


Point

The recommended tightening torque for the M8 connector is 0.6 Nm. Waterproof performance will decrease when the connection is loose, so tighten it with a tool.

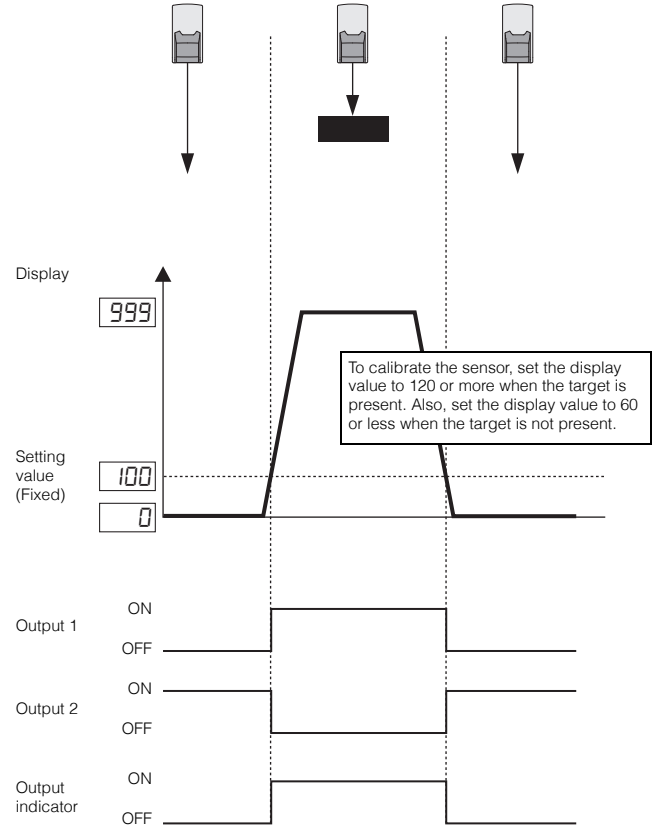
Output and Indicator Operation

Thrubeam type, Retro-Reflective type



- *1 There is no display for the thrubeam type.
- *2 Not available on the M8 connector (3-pin) type.
- *3
 - There is no stable operation indicator for the Retro-Reflective type.
 - The stable operation indicator on the thrubeam type turns on when stable incoming light is received and when light is stably blocked. Adjust the installation condition so that the stable operation indicator is always on. Rotate the trimmer as necessary to adjust the light reception sensitivity.

Reflective type



Troubleshooting

Problem	Cause	Check & Action
All indicators are off.	The power supply is not connected.	Connect the power supply.
The output indicators turn on and off, but output does not turn on or off.	Mistaken wiring.	Check the wiring of the output wires.
	The input device has been damaged. The sensor output has been damaged. Or an output wire is broken.	Try connecting the sensor output to another input device.
"E- ζ " appears on the display.	Current of 100 mA or more has passed through a control output	Check that the rated current for the input device has not exceeded 100 mA. Check that the output wires are not shorted with any other wires.
The output indicator is flashing.	Current of 100 mA or more has passed through a control output	Check that the rated current for the input device has not exceeded 100 mA. Check that the output wires are not shorted with any other wires.
	The sensor is affected by ambient light.	When there are light sources nearby (sensors, lighting, etc.), adjust the sensor installation.

Specifications

Body type		Rectangular type					
Type		Thrubeam	Thrubeam (Built-in slit)	Retro-reflective	Diffuse reflective (Long distance)	Diffuse reflective (Short distance)	
Model	NPN	2 m cable	PR-G51N	PR-G56N	PR-G61N	PR-G41N	PR-G42N
		M8 connector (4-pin)	PR-G51CN	–	–	–	–
	PNP	2 m cable	PR-G51P	–	PR-G61P	–	–
		M8 connector (4-pin)	PR-G51CP	–	PR-G61CP	PR-G41CP	PR-G42CP
	M8 connector (3-pin)	PR-G51C3PD	–	PR-G61C3PD	–	–	
Detection distance		30 m	600 mm	0.1 to 4.2 m (when using R-2L)		500 mm	120 mm
Number of control outputs		2 (Dark-ON +Light ON) ^{*1}					
Output operation	Output 1	Dark-ON			Light-ON		
	Output 2	Light-ON ^{*1}			Dark-ON		
Response time		1 ms			0.5 ms		
Sensitivity adjustment		1-rotation trimmer (230°)			5-rotation trimmer		
Spot diameter		–			–	φ20 mm or less (at 300 mm)	Approx. φ3 mm (at 100 mm)
Light source		4 element, red LED (631 nm)		4 element, red LED (630 nm)	4 element, point light source, red LED (650 nm)		
Mutual interference prevention function		–			2 sensors		
Indicator		Transmitter: power supply indicator (green) Receiver: output indicator (yellow), stable operation indicator (green)			7 segment display (0 to 999), output indicator (yellow)		
Power supply voltage		10 to 30 V DC including 10% ripple (P-P)					
Power consumption		Transmitter: 450 mW or less (15 mA or less at 24 V, 15 mA or less at 12 V) Receiver: 360 mW or less (12 mA or less at 24 V, 15 mA or less at 12 V)			450 mW or less (15 mA or less at 24 V, 21 mA or less at 12 V)		
Control output		Open collector 30 V DC or less, 100 mA or less Residual voltage: 1.2 V or less at 10 mA or less, 2 V or less at 10 to 100 mA					
Light emission stop input		No voltage input Input time ON: 1 ms or more, OFF: 20 ms or more			–		
Protection circuit		Power supply reverse connection protection, power supply surge protection, output overcurrent protection, output surge protection, output reverse connection protection					
Environment resistance	Enclosure rating ^{*2}	IP68 (IEC60529), IP69K (DIN40050-9), 4X, 6P, 13 (NEMA250)					
	Ambient light	Incandescent lamp 5,000 lx or less, sunlight: 20,000 lx or less					
	Ambient temperature	-20 to +70°C (No freezing) ^{*3}					
	Storage ambient temperature	-20 to +70°C					
	Ambient humidity	35 to 85% RH (No condensation)					
	Shock resistance	1,000 m/s ² , X, Y, Z each direction 6 times					
	Vibration resistance	10 to 55 Hz, double amplitude 1.5 mm, X, Y, Z each direction 2 hours					
	Insulation resistance	20 MΩ or more (500 V DC)					
Withstand voltage	1,000 V AC 50/60Hz 1 min						
Material		Case: SUS 316L, Indicator cover: PES, 7 segment display/lens cover: PMMA (Scratch-resistant coating)					
Weight	2 m cable type	Approx. 160g			Approx. 75g		
	M8 connector type	Approx. 55g			Approx. 25g		
Accessory		Instruction Manual					

*1 The M8 connector (3-pin) type has 1 output. If "D" is at the end of the model code, the sensor is equipped with a Dark-ON output only.

*2 The enclosure rating for the connector type varies based on the cable that is used.

*3 When the ambient temperature is 60°C or higher, the device should be powered with no more than 24 VDC and 50 mA.

WARRANTIES AND DISCLAIMERS

- KEYENCE warrants the Products to be free of defects in materials and workmanship for a period of one (1) year from the date of shipment. If any models or samples were shown to Buyer, such models or samples were used merely to illustrate the general type and quality of the Products and not to represent that the Products would necessarily conform to said models or samples. Any Products found to be defective must be shipped to KEYENCE with all shipping costs paid by Buyer or offered to KEYENCE for inspection and examination. Upon examination by KEYENCE, KEYENCE, at its sole option, will refund the purchase price of, or repair or replace at no charge any Products found to be defective. This warranty does not apply to any defects resulting from any action of Buyer, including but not limited to improper installation, improper interfacing, improper repair, unauthorized modification, misapplication and mishandling, such as exposure to excessive current, heat, coldness, moisture, vibration or outdoors air. Components which wear are not warranted.
- KEYENCE is pleased to offer suggestions on the use of its various Products. They are only suggestions, and it is Buyer's responsibility to ascertain the fitness of the Products for Buyer's intended use. KEYENCE will not be responsible for any damages that may result from the use of the Products.
- The Products and any samples ("Products/Samples") supplied to Buyer are not to be used internally in humans, for human transportation, as safety devices or fail-safe systems, unless their written specifications state otherwise. Should any Products/Samples be used in such a manner or misused in any way, KEYENCE assumes no responsibility, and additionally Buyer will indemnify KEYENCE and hold KEYENCE harmless from any liability or damage whatsoever arising out of any misuse of the Products/Samples.
- OTHER THAN AS STATED HEREIN, THE PRODUCTS/SAMPLES ARE PROVIDED WITH NO OTHER WARRANTIES WHATSOEVER. ALL EXPRESS, IMPLIED, AND STATUTORY WARRANTIES, INCLUDING, WITHOUT LIMITATION, THE WARRANTIES OF MERCHANTABILITY, FITNESS FOR A PARTICULAR PURPOSE, AND NON-INFRINGEMENT OF PROPRIETARY RIGHTS, ARE EXPRESSLY DISCLAIMED.**

IN NO EVENT SHALL KEYENCE AND ITS AFFILIATED ENTITIES BE LIABLE TO ANY PERSON OR ENTITY FOR ANY DIRECT, INDIRECT, INCIDENTAL, PUNITIVE, SPECIAL OR CONSEQUENTIAL DAMAGES (INCLUDING, WITHOUT LIMITATION, ANY DAMAGES RESULTING FROM LOSS OF USE, BUSINESS INTERRUPTION, LOSS OF INFORMATION, LOSS OR INACCURACY OF DATA, LOSS OF PROFITS, LOSS OF SAVINGS, THE COST OF PROCUREMENT OF SUBSTITUTED GOODS, SERVICES OR TECHNOLOGIES, OR FOR ANY MATTER ARISING OUT OF OR IN CONNECTION WITH THE USE OR INABILITY TO USE THE PRODUCTS, EVEN IF KEYENCE OR ONE OF ITS AFFILIATED ENTITIES WAS ADVISED OF A POSSIBLE THIRD PARTY'S CLAIM FOR DAMAGES OR ANY OTHER CLAIM AGAINST BUYER. In some jurisdictions, some of the foregoing warranty disclaimers or damage limitations may not apply.

BUYER'S TRANSFER OBLIGATIONS:

If the Products/Samples purchased by Buyer are to be resold or delivered to a third party, Buyer must provide such third party with a copy of this document, all specifications, manuals, catalogs, leaflets and written information provided to Buyer pertaining to the Products/Samples.

E 1101-3

KEYENCE CORPORATION

1-3-14, Higashi-Nakajima, Higashi-Yodogawa-ku,
Osaka, 533-8555, Japan
PHONE: +81-6-6379-2211

www.keyence.com

Specifications are subject to change without notice. A8WW1-MAN-1101

Copyright (c) 2012 KEYENCE CORPORATION. All rights reserved.
245003E 1043-1a [259GB] Printed in Japan

