



PR-F51P3

Flat Transmissive Cable Type 0.6m



Specifications

Model	PR-F51P3	
Type	Thrubeam	
Output	PNP	
Shape	Flat	
Cable connection	3 m cable	
Detection distance	0.6 m	
Number of control outputs	2 outputs	
Output operation	Output 1	Dark-ON
	Output 2	Light-ON
Response time	Output 1	0.5 ms
	Output 2	ON→OFF: 2.7 ms, OFF→ON: 0.5 ms
Sensitivity adjustment	None	
Spot diameter	-	
Light source	4 element, point light source, red LED (650 nm)	
Mutual interference prevention function	-	
Indicator lamp	Output indicator (orange), stable operation indicator (green), thrubeam type transmitter: power supply indicator (green)	
Control output	30 VDC or lower, 50 mA or lower Leakage current: When 3 kΩ load resistance, 0.3 mA or lower. When 1 kΩ load resistance, 0.5 mA or lower. When 0.2 kΩ load resistance, 1.5 mA or lower Residual voltage: When 10 mA or lower, 1.0 V or lower. When 10 to 30 mA, 1.5 V or lower. When 30 to 50 mA, 2.0 V or lower.	
Protection circuit	Power supply reverse connection protection, output overcurrent protection, output surge protection, power supply surge protection	
Rating	Power voltage	10 to 30 VDC, including Ripple (P-P) 10 %
	Current consumption	Transmitter: 11 mA, Receiver: 16 mA
Environmental resistance	Enclosure rating	IP67 (IEC60529), IP69K (DIN40050-9), 4X, 6P, 13 (NEMA250)
	Insulation resistance	20 MΩ or higher (500 VDC)
	Ambient light	Incandescent lamp: 5,000 lux or lower, Sunlight: 20,000 lux or lower
	Ambient temperature	-25 to +55 °C -13 to 131 °F (No freezing)
	Storage temperature	-25 to +75 °C -13 to 167 °F
	Relative humidity	35 to 85 % RH (No condensation)
	Withstand voltage	1,000 VAC, 50/60 Hz, 1 min
	Vibration resistance	10 to 55 Hz, Double amplitude 1.5 mm 0.06" , 2 hours in each of the X, Y, and Z directions
	Shock resistance	1,000 m/s ² , 6 times in each of the X, Y, and Z directions

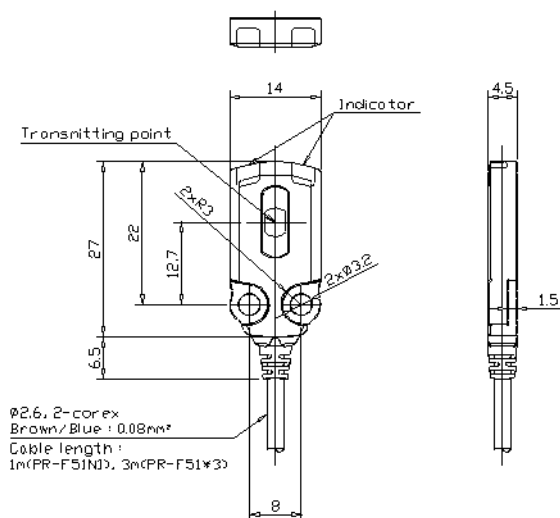
Material	Case: SUS316L, indicator cover/lens cover: polysulfone, cord protector: polymethylpentene, filler: polyester-based resin
Accessories	Instruction manual
Weight	Approx. 80 g

Dimensions

* Download CAD file or product manual for larger image/text and more detail.

PR-F51N1/F51N3/F51P3

Transmitter



Receiver

