

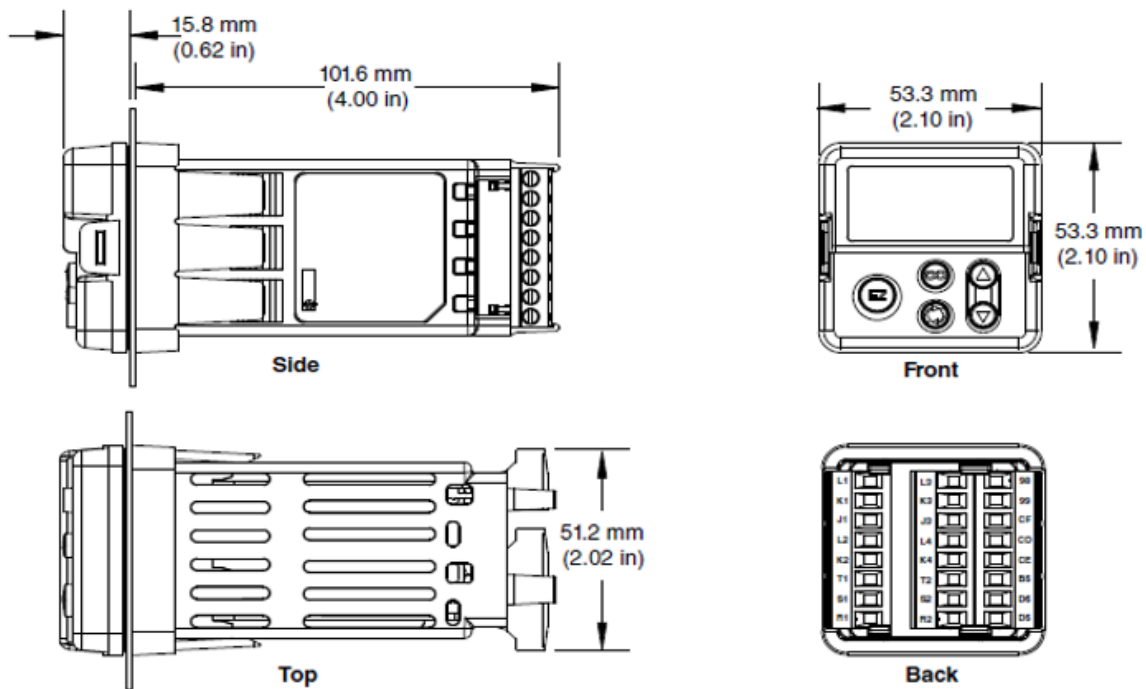
## Product Information

Part #: PM6C1EJ-AAAAAAA

Description: EZ-ZONE Panel Mount Controller

Status: Active

### 1/16 DIN (PM6)



Package Size	6 = 1/16th DIN Panel Cutout 45 mm X 45 mm
Primary Function	C = PID Controller with Universal input
Power Supply	1 = 100 to 240VAC
Output 1 and 2	EJ - Out1 = Mech Relay 5A, SPDT : Out2 = Mech Relay 5A, SPST-NO
Communications	A = None
Auxiliary Control Functions	A = None
Output 3 and 4	AA = None Output 4 = None
Menu Type	A = Factory Default
Custom Options	AA = Standard (Watlow & EZ-Zone)

Model Number

PM6C1EJ-AAAAAAA