

Integral gear extension

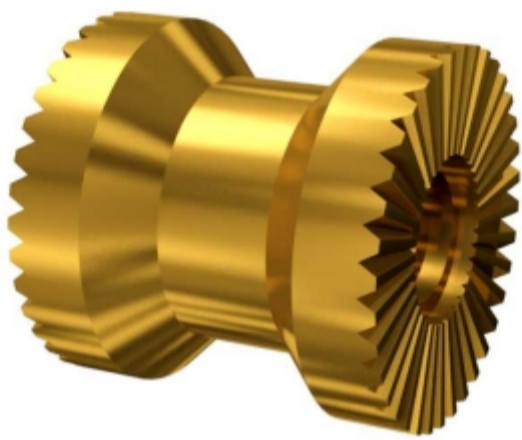
P

[Download datasheet](#)

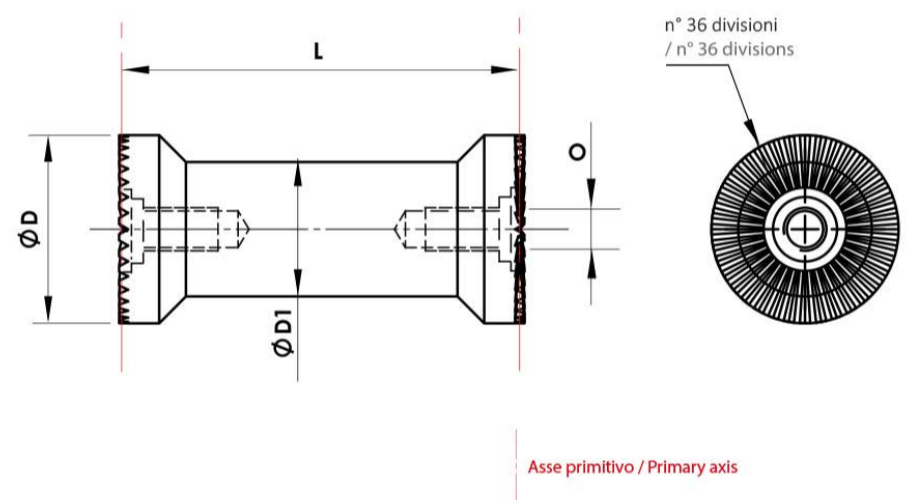
[3D download](#)

[To download, please login >>](#)

Product image



Technical drawing



Material: Aluminium 6082

Treatment: Gold anodizing

Technical data

COD.	ØD	ØD1	L	O	Weight (kg)
P50	35	25	50	M8	0,085
P75	35	25	75	M8	0,110
P100	35	25	100	M8	0,140