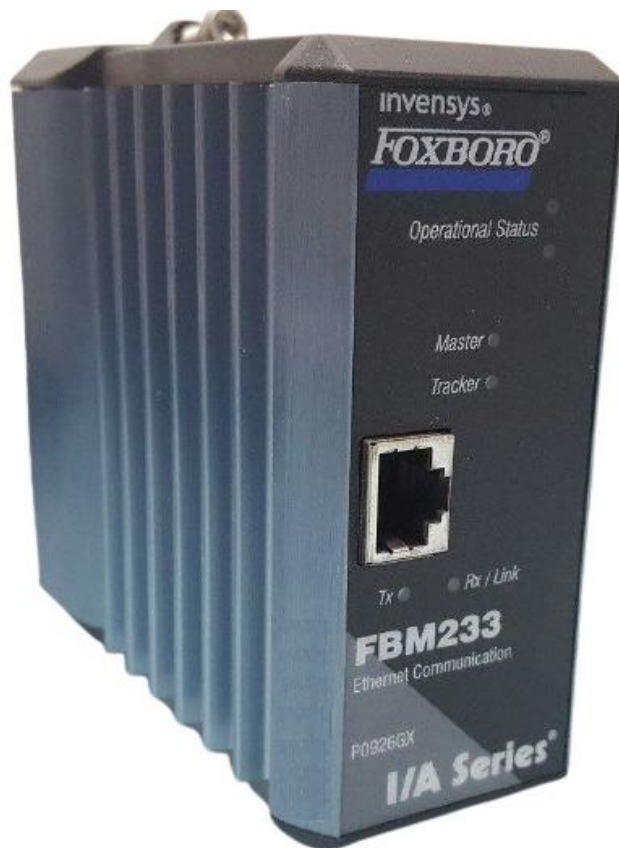


Product End of Life Instructions

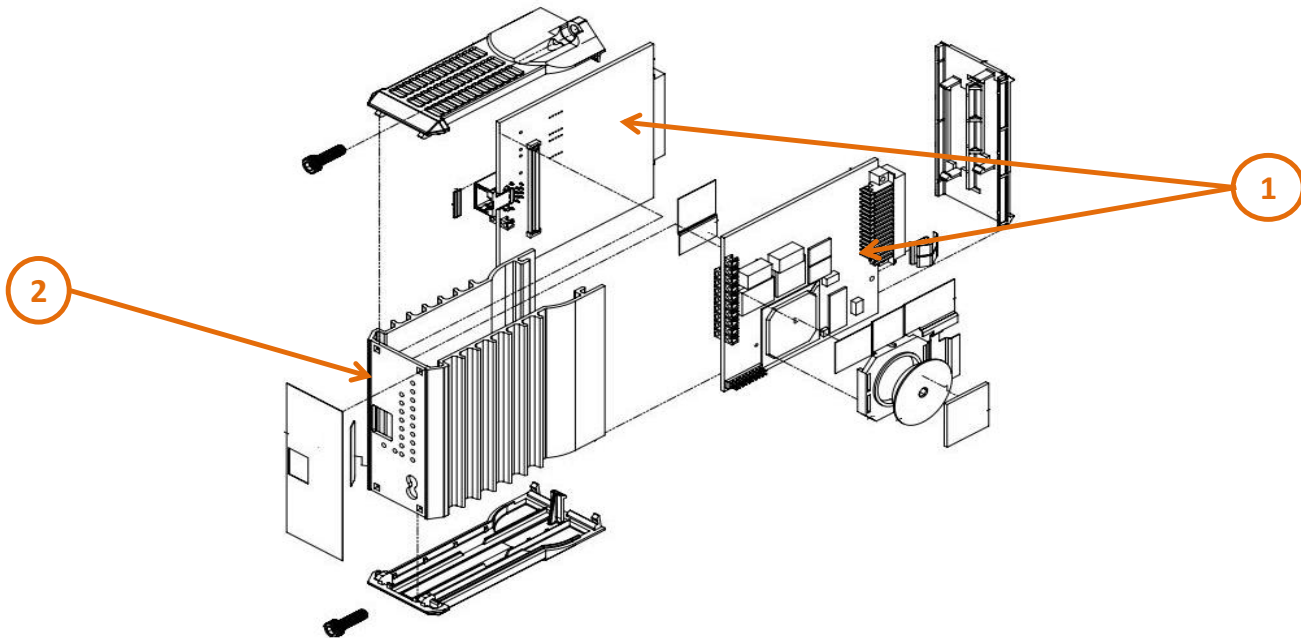
FBM233 Redundant Field Device System Integrator

Field Device System Integrator Module





End of Life Instructions



Recommendation	Number on drawing	Component / Material	Weight (in g)	Comment
To be depolluted	1	Electronic Board (Communication) > 10cm ²	102	
To be dismantled	2	Aluminium	132.4	
Other		Plastics and Other parts	50.6	



Product description

Manufacturer identification	Schneider Electric Industries SAS
Brand name	Foxboro DCS
Product function	The FBM233 Redundant Field Device System Integrator (FDSI) module provides an Ethernet interface between single or dual-ported field I/O devices and the Foxboro Evo system.
Product reference	P0926GX
Additional similar product references	P0926GX P0926TK P0926GU P0926GV P0926GW P0922QS P0923XL P0926TL FBM229 FBM230 FBM231 FBM232 FBM233
Total representative product mass	284 g
Representative product dimensions	114 mm(H) x 45 mm(L) x 104 mm(D)
Accessories	No accessories needed
Date of information release	05/2021



Additional information

Legal information	The product family must be disposed according to the legislation of the country. This document is intended for use by end of life recyclers or treatment facilities. It provides the basic information to assure an appropriate end of life treatment for the components and materials of the product.	
In case of special transportation: transportation method	No special transportation	
Recyclability potential	51%	Based on "ECO'DEEE recyclability and recoverability calculation method" (version V1, 20 Sep. 2008 presented to the French Agency for Environment and Energy Management: ADEME).

Schneider Electric Industries SAS

www.schneider-electric.com/contact

Country Customer Care Center:

<http://www2.schneider-electric.com/sites/corporate/en/support/operations/local-operations/local-operations.page>

+001 508 549 3992

38 Neponset Avenue

Foxboro

MA 02035

USA

www.schneider-electric.com

ENVEOLI2104019_V1

Published by Schneider Electric

© 2021 - Schneider Electric – All rights reserved

05/2021