

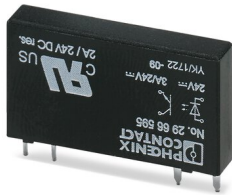
OPT-24DC/ 24DC/ 2 - Miniature solid-state relay



2966595

<https://www.phoenixcontact.com/pc/products/2966595>

Please be informed that the data shown in this PDF document is generated from our Online Catalog. Please find the complete data in the user documentation. Our General Terms of Use for Downloads are valid.



Plug-in miniature solid-state relay, power solid-state relay, 1 N/O contact, input: 24 V DC, output: 3 ... 33 V DC/3 A

Your advantages

- Vibration and shock resistant
- RT III-proof (wash-proof)
- Wear-free and durable
- Can be soldered on PCB
- Switching capacity of up to 24 V DC/3 A

Commercial Data

Item number	2966595
Packing unit	10 pc
Minimum order quantity	10 pc
Sales Key	08
Product Key	CK61F2
Catalog Page	Page 286 (C-5-2019)
GTIN	4017918130947
Weight per Piece (including packing)	5.26 g
Weight per Piece (excluding packing)	5.2 g
Customs tariff number	85364190
Country of origin	HU

OPT-24DC/ 24DC/ 2 - Miniature solid-state relay



2966595

<https://www.phoenixcontact.com/pc/products/2966595>

Technical Data

Product properties

Product type	Single solid-state relay
Set comprises	2905293 RIF-0-OPT-24DC/24DC/2
	2905657 RIF-0-OSC-24DC/24DC/2
Operating mode	100% operating factor

Insulation characteristics

Insulation	Basic insulation
------------	------------------

Insulation characteristics: Standards/regulations

Insulation	Basic insulation
Overvoltage category	III
Pollution degree	2

Electrical properties

Maximum power dissipation for nominal condition	0.17 W
Test voltage (Input/output)	2.5 kV (50 Hz, 1 min., input/output)

Input data

Nominal input voltage U_N	24 V DC
Input voltage range in reference to U_N	0.8 ... 1.2
Input voltage range	19.2 V DC ... 28.8 V DC
Switching threshold "0" signal, voltage	≤ 10 V
Switching threshold "1" signal voltage	≥ 16 V
Typical input current at U_N	7 mA
Typical response time	20 μ s (at U_N)
Typical turn-off time	300 μ s (at U_N)
Transmission frequency	300 Hz

Output data

Contact type	1 N/O contact
Design of digital output	electronic
Output voltage range	3 V DC ... 33 V DC
Limiting continuous current	3 A (see derating curve)
Maximum inrush current	15 A (10 ms)
Voltage drop at max. limiting continuous current	≤ 150 mV
Output circuit	2-conductor, floating
Protective circuit	Reverse polarity protection
	Surge protection

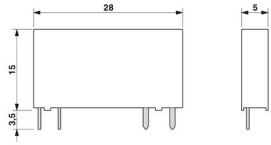
Dimensions

OPT-24DC/ 24DC/ 2 - Miniature solid-state relay



2966595

<https://www.phoenixcontact.com/pc/products/2966595>

Dimensional drawing	
Width	5 mm
Height	28 mm
Depth	15 mm

Environmental and real-life conditions

Ambient conditions

Degree of protection	RT III
Ambient temperature (operation)	-25 °C ... 60 °C
Ambient temperature (storage/transport)	-25 °C ... 70 °C

Approvals

Corrosive gas test

Identification	ISA-S71.04. G3 Harsh Group EN 60068-2-60
----------------	---

Standards and regulations

Standards/regulations

Standards/regulations	IEC 60664 EN 50178
-----------------------	-----------------------

Mounting

Assembly instructions	in rows with zero spacing
Mounting position	any

OPT-24DC/ 24DC/ 2 - Miniature solid-state relay

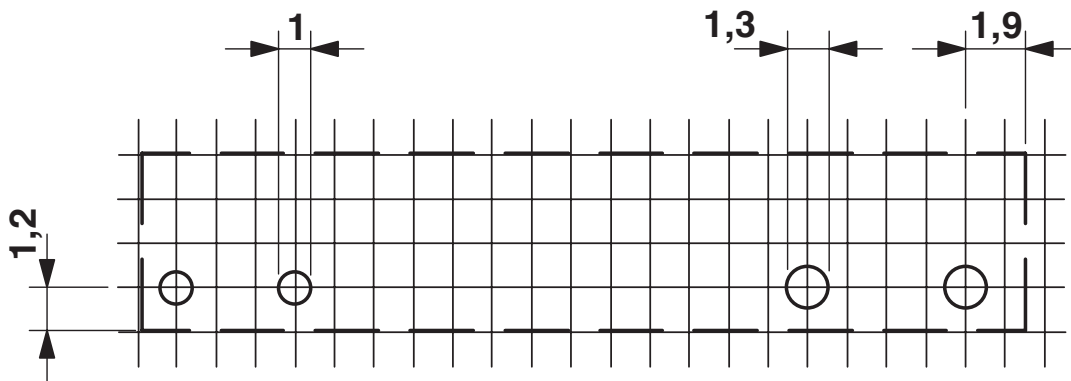


2966595

<https://www.phoenixcontact.com/pc/products/2966595>

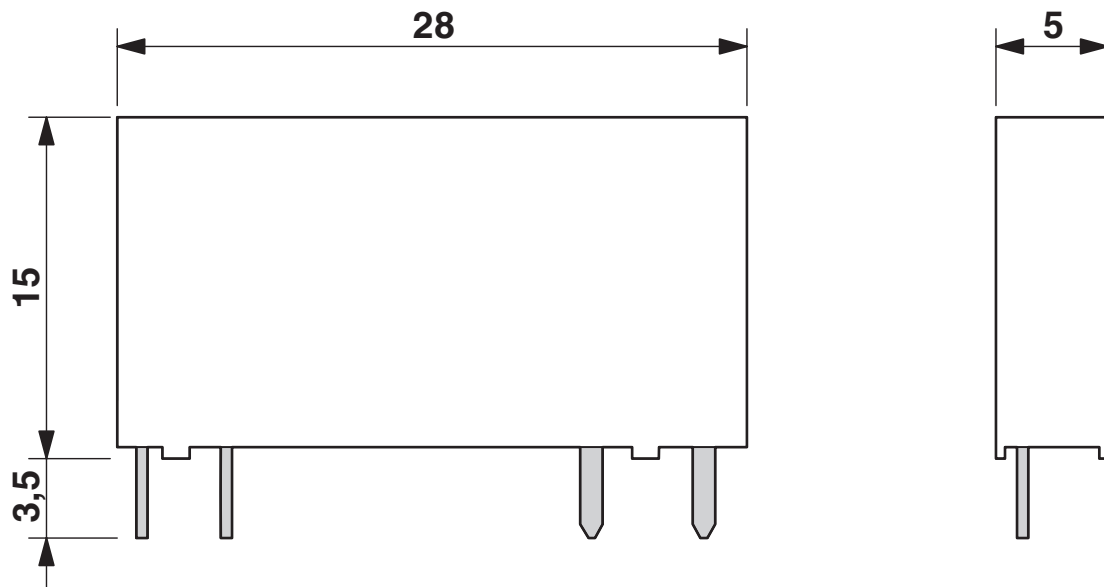
Drawings

Drilling plan/solder pad geometry



a = pitch division 1.25 mm and 1.27 mm

Dimensional drawing

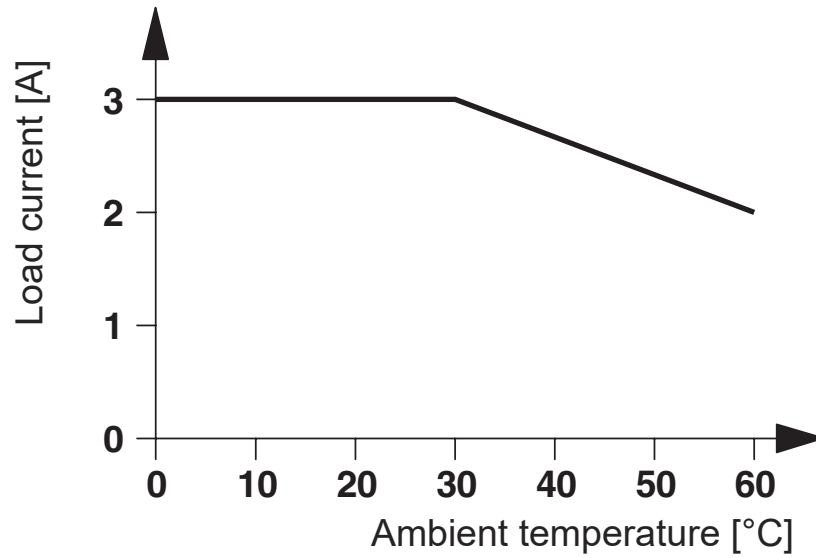


OPT-24DC/ 24DC/ 2 - Miniature solid-state relay

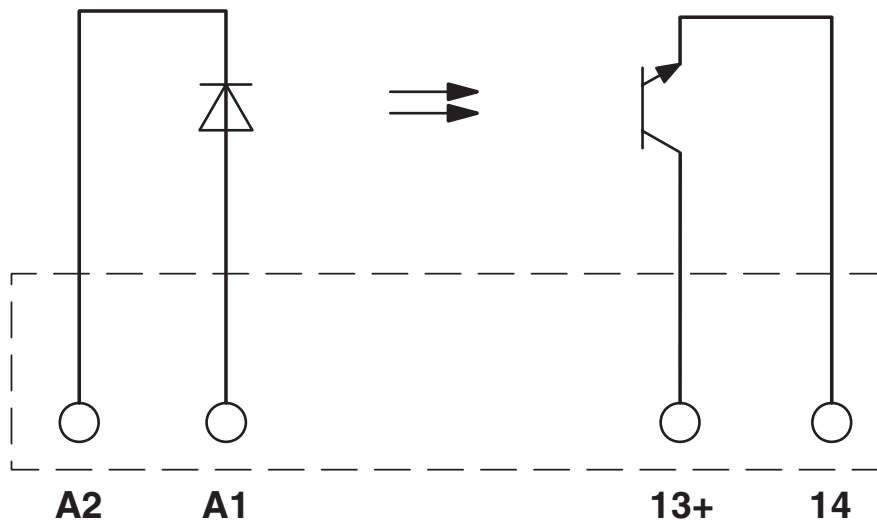
2966595

<https://www.phoenixcontact.com/pc/products/2966595>

Diagram



Circuit diagram



OPT-24DC/ 24DC/ 2 - Miniature solid-state relay



2966595

<https://www.phoenixcontact.com/pc/products/2966595>

Approvals



cUL Recognized

Approval ID: FILE E 195083



UL Recognized

Approval ID: FILE E 195083



EAC

Approval ID: TR_TS_D_00573_c



UL Recognized

Approval ID: FILE E 195083



PRC

Approval ID: TE/2109/880590/16



cUL Recognized

Approval ID: FILE E 195083



GL

Approval ID: 46016-03 HH

OPT-24DC/ 24DC/ 2 - Miniature solid-state relay



2966595

<https://www.phoenixcontact.com/pc/products/2966595>

Classifications

ECLASS

ECLASS-11.0	27371604
ECLASS-12.0	27371604
ECLASS-13.0	27371604

ETIM

ETIM 8.0	EC001504
----------	----------

UNSPSC

UNSPSC 21.0	39122300
-------------	----------

OPT-24DC/ 24DC/ 2 - Miniature solid-state relay



2966595

<https://www.phoenixcontact.com/pc/products/2966595>

Environmental Product Compliance

China RoHS	Environmentally friendly use period: unlimited = EFUP-e
	No hazardous substances above threshold values

OPT-24DC/ 24DC/ 2 - Miniature solid-state relay

2966595

<https://www.phoenixcontact.com/pc/products/2966595>

Accessories

PLC-BPT- 24DC/21 - Relay base

2900445

<https://www.phoenixcontact.com/pc/products/2900445>



6.2 mm PLC basic terminal block with Push-in connection, without relay or solid-state relay, for mounting on DIN rail NS 35/7,5, 1 changeover contact, input voltage 24 V DC

PLC-BSC- 24DC/21 - Relay base

2966016

<https://www.phoenixcontact.com/pc/products/2966016>



6.2 mm PLC basic terminal block with screw connection, without relay or solid-state relay, for mounting on DIN rail NS 35/7,5, 1 changeover contact, input voltage 24 V DC

OPT-24DC/ 24DC/ 2 - Miniature solid-state relay

2966595

<https://www.phoenixcontact.com/pc/products/2966595>

PLC-BPIT- 48DC/21 - Relay base

2900447

<https://www.phoenixcontact.com/pc/products/2900447>



6.2 mm PLC basic terminal block with Push-in connection, without relay or solid-state relay, for mounting on DIN rail NS 35/7,5, 1 changeover contact, input voltage 48 V DC

PLC-BSC- 48DC/21 - Relay base

2966090

<https://www.phoenixcontact.com/pc/products/2966090>



6.2 mm PLC basic terminal block with screw connection, without relay or solid-state relay, for mounting on DIN rail NS 35/7,5, 1 changeover contact, input voltage 48 V DC