



## OP-87909

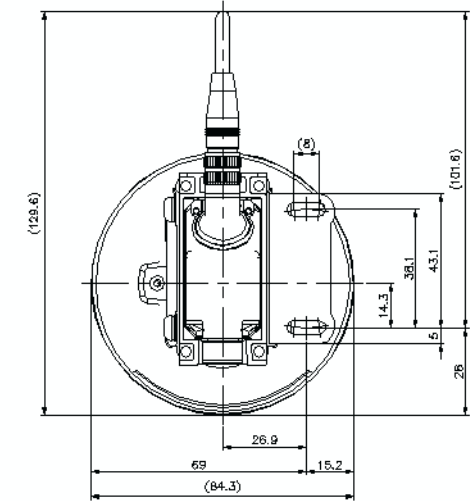
Rear mounting bracket

## Specifications

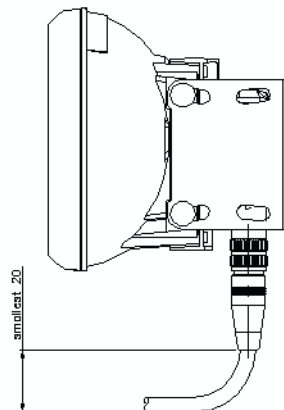
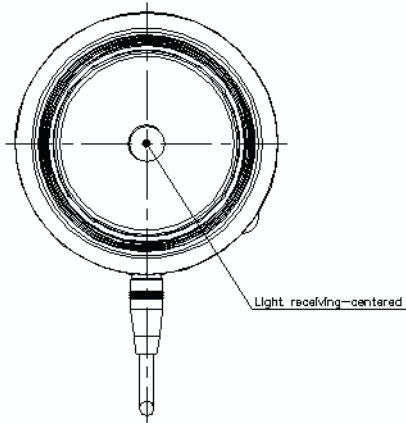
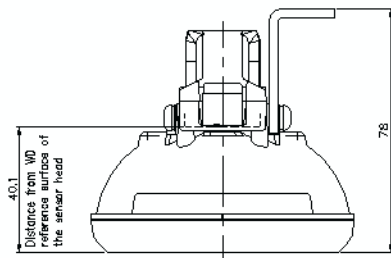
Model	OP-87909
Type	Rear mounting bracket
Weight	Approx. 20 g

# Dimensions

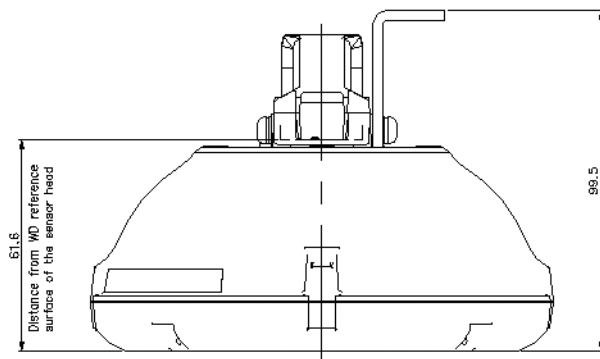
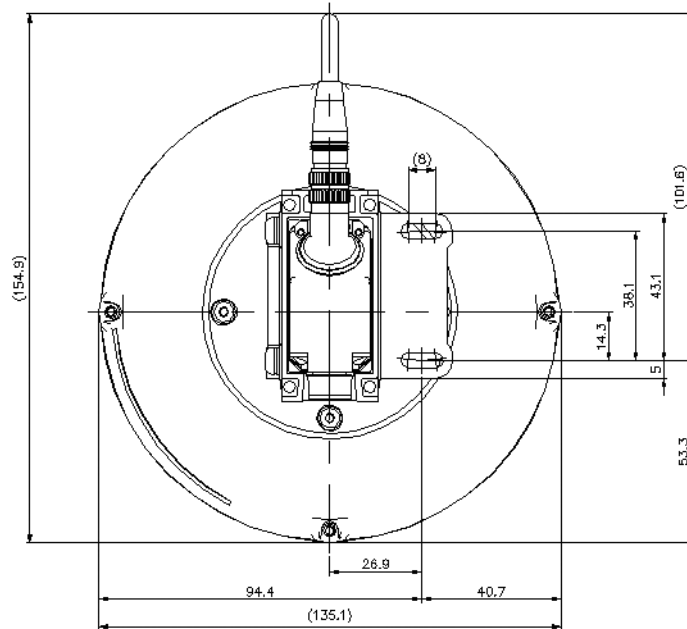
\* Download CAD file or product manual for larger image/text and more detail.

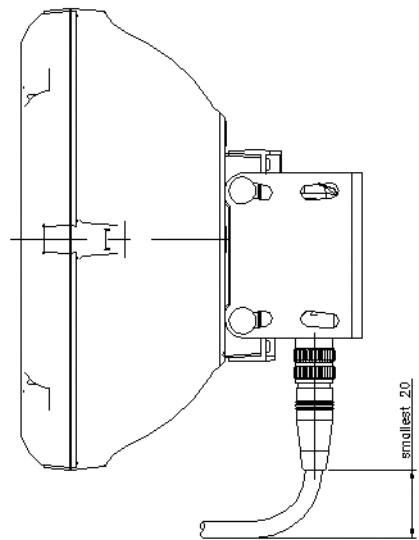
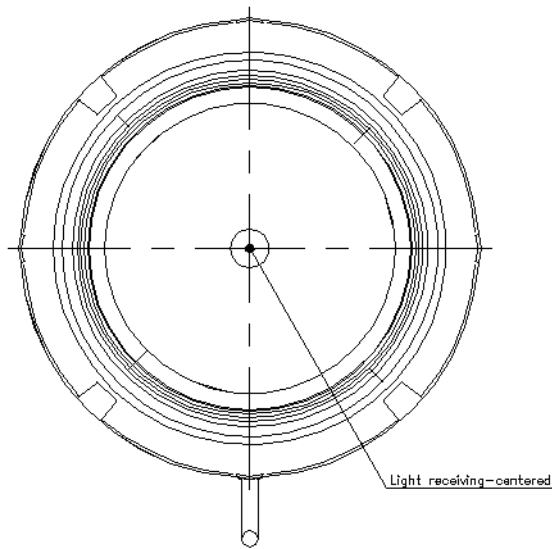


IV2-G150MA/G300CA/G500CA  
/G500MA/G600MA/GD05/OP-87909

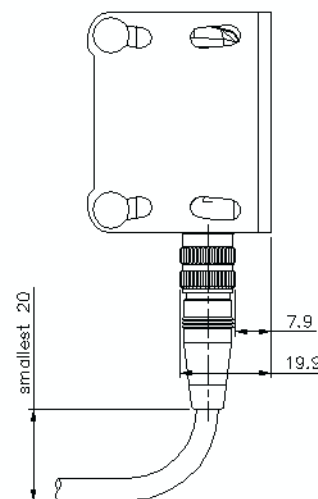
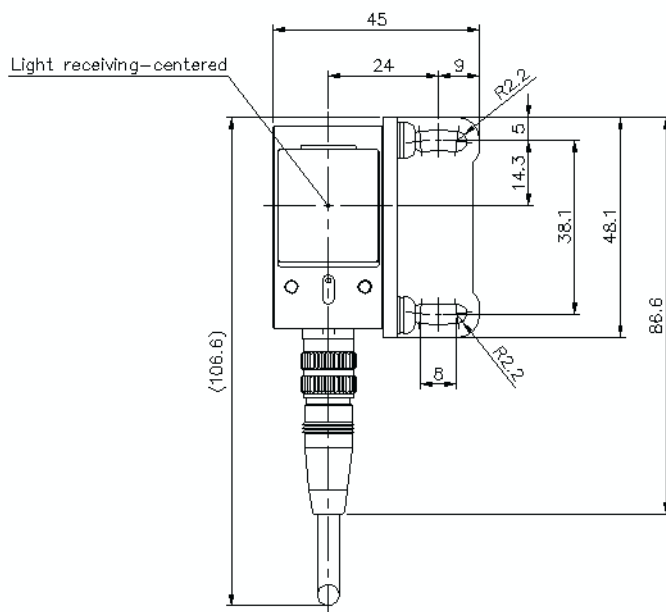
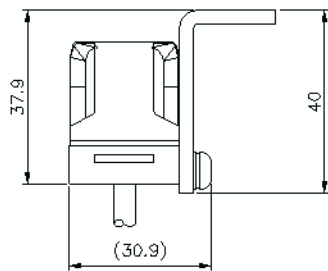


IV2-G150MA/G300CA/G500CA  
/G500MA/G600MA/GD10/OP-87909

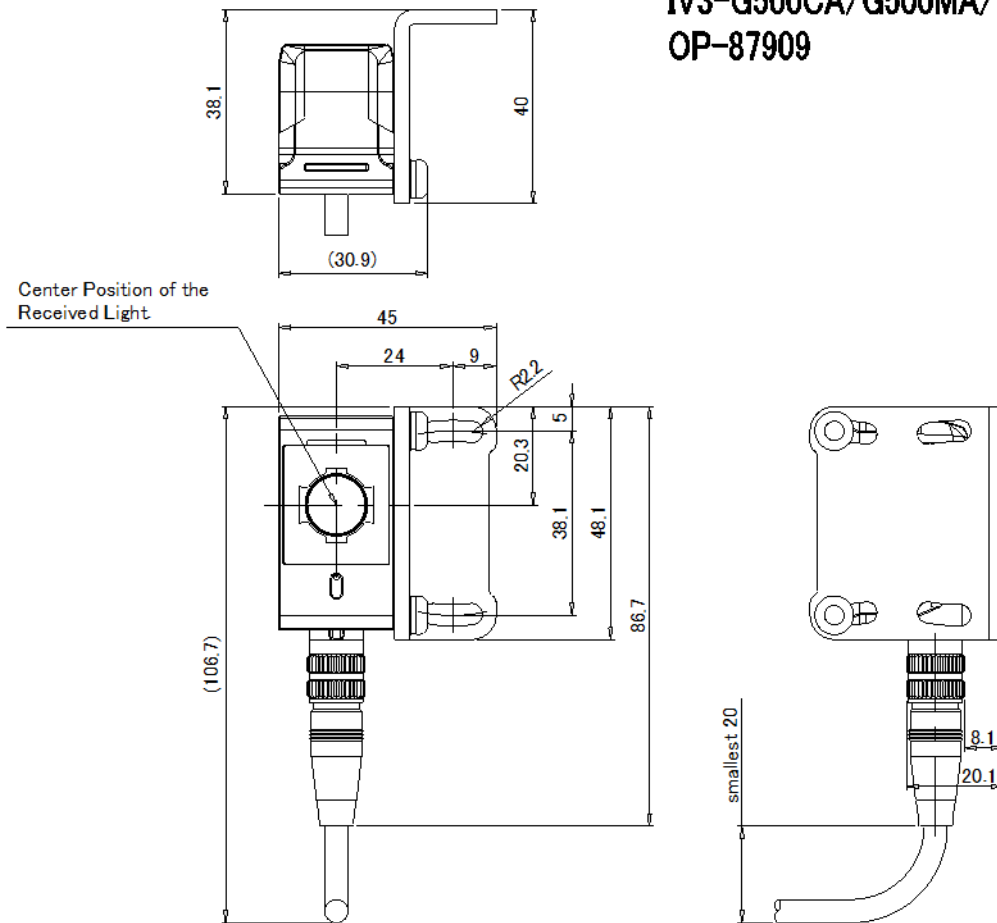




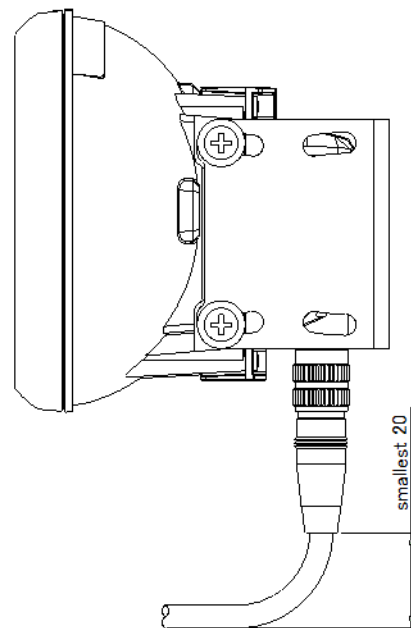
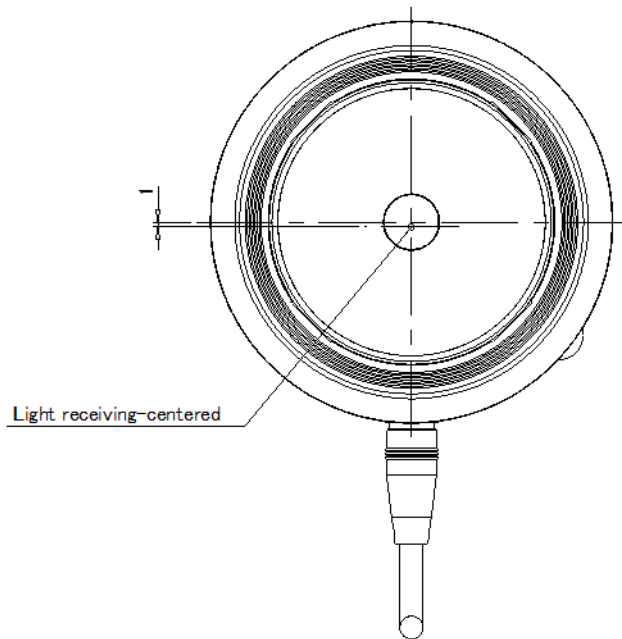
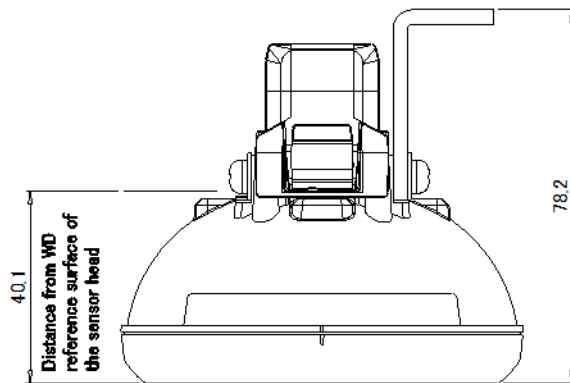
IV2-G150MA/G300CA/G500CA  
/G500MA/G600MA/OP-87909

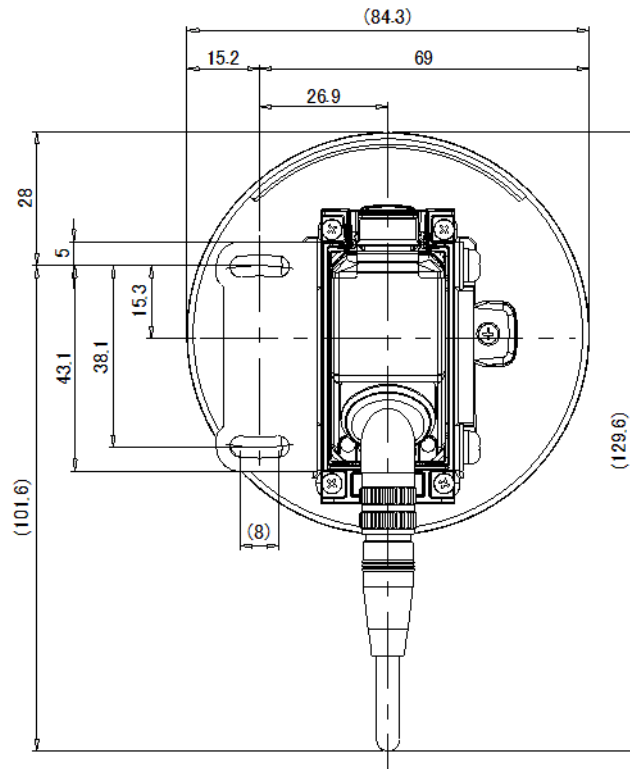


**IV3-G500CA/G500MA/G600CA/G600MA  
OP-87909**

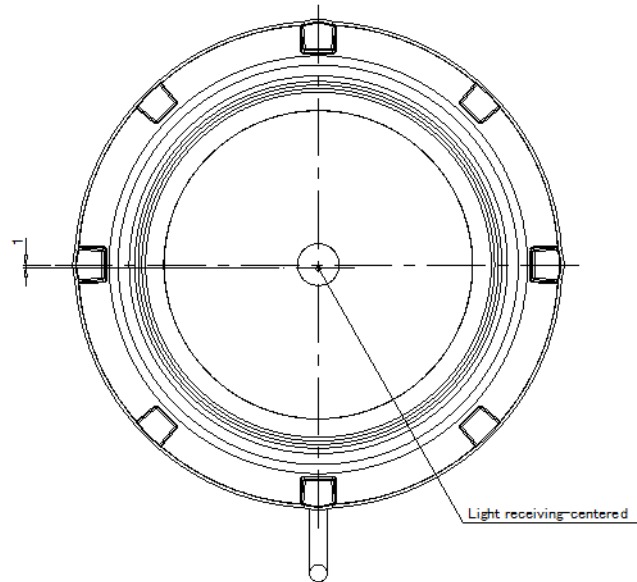
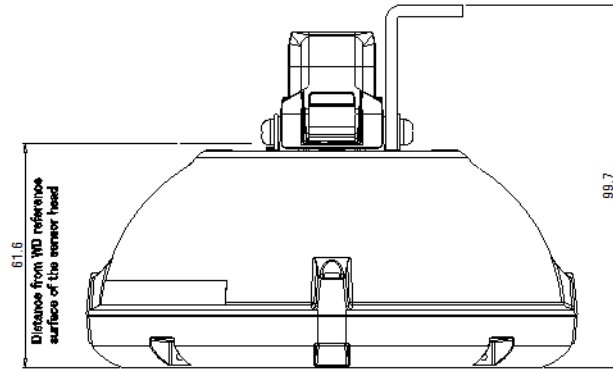


IV3-G500CA/G500MA/G600CA/G600MA/IV2-GD05/OP87909

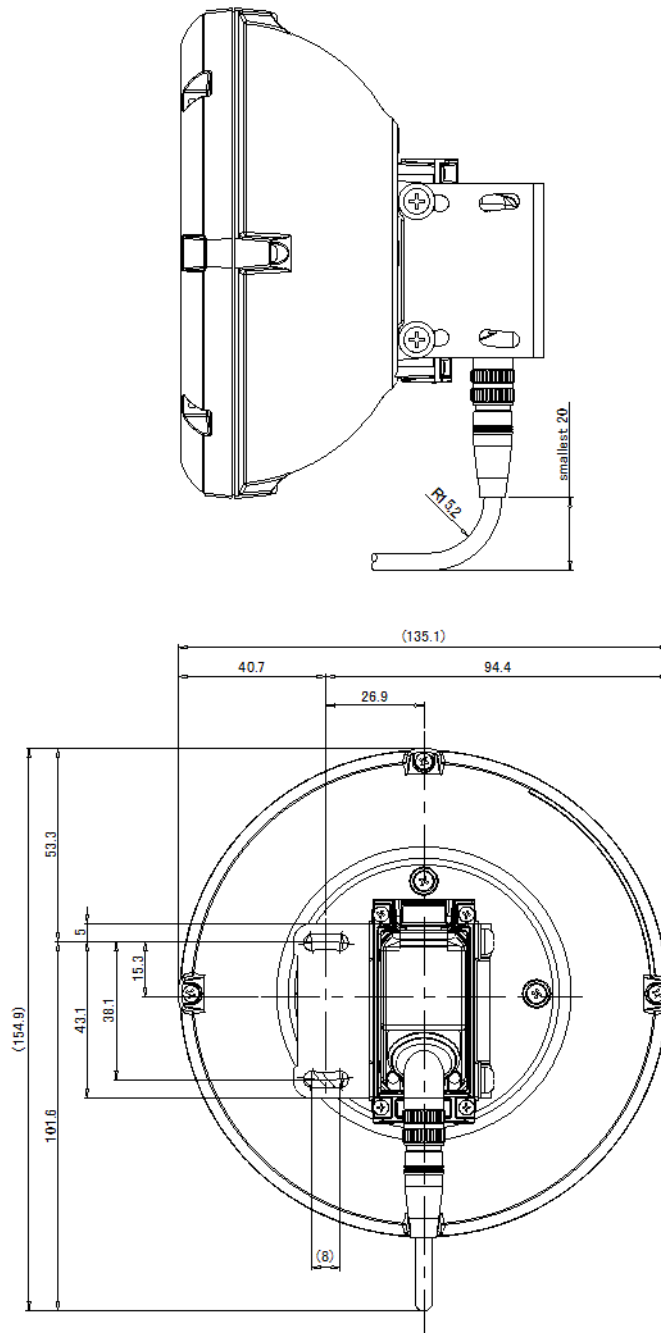




IV3-G500CA/G500MA/G600CA/G600MA/IV2-GD10/OP87909







IV-G\_CAMERA\_GD05\_OP-87909\_dimension\_01.gif

- Dome attachment for IV-G series (IV-GD05)  
with Transverse mounting bracket for IV-G series (OP-87909)

