

**OP-87900**

Wide field of view sensor model (Color) Polarized light filter attachment

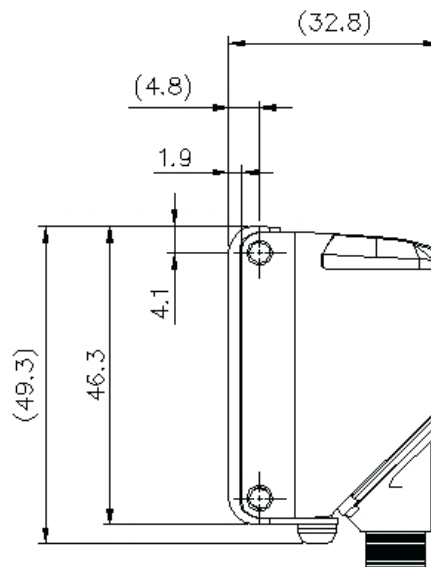
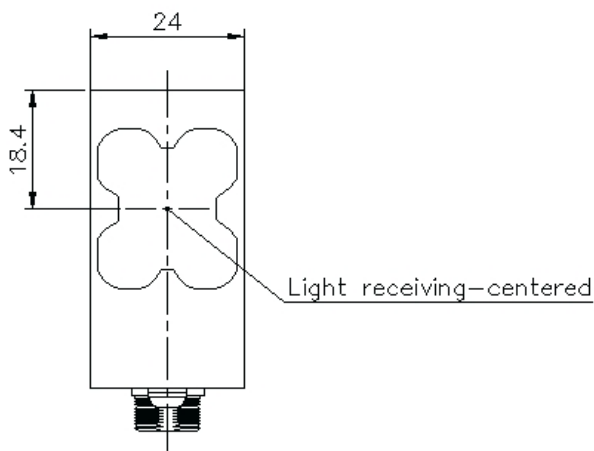
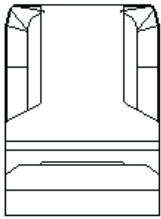
SPECIFICATIONS

Model	OP-87900
Type	Polarised light filter attachment
Applicable product	IV-G300CA
Weight	Approx. 5 g

Dimensions

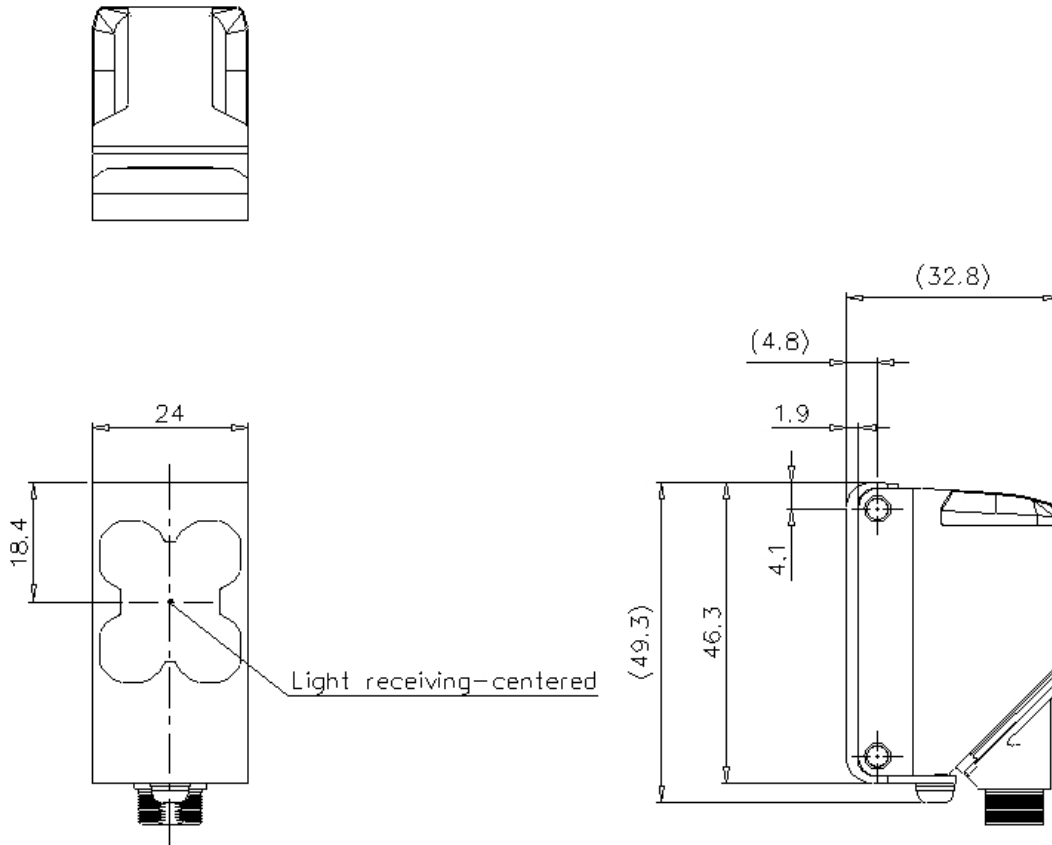
* Download CAD file or product manual for larger image/text and more detail.

IV2-G150MA/G300CA/G500CA/G500MA
/G600MA/OP-87899/87900/87901



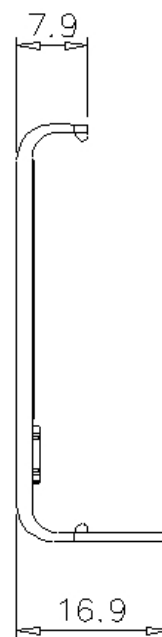
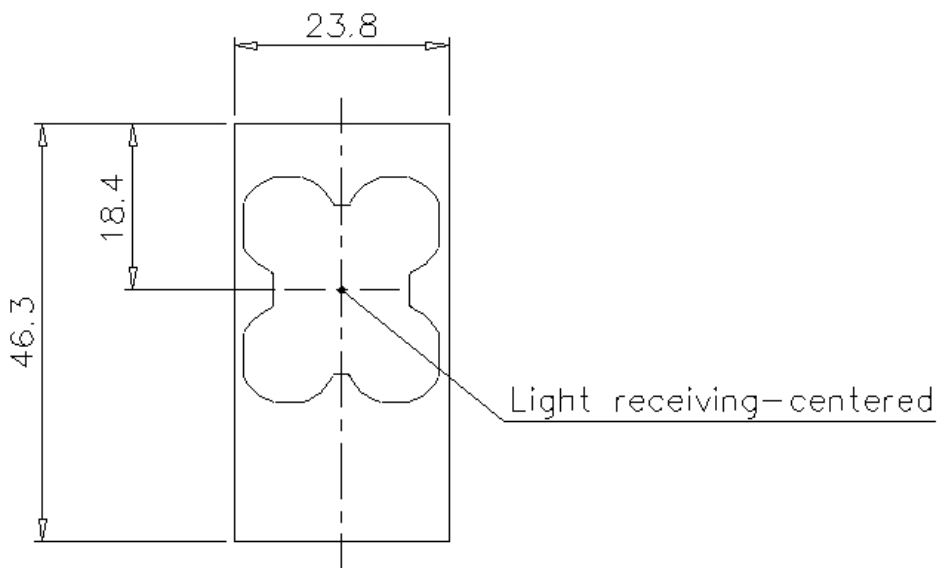
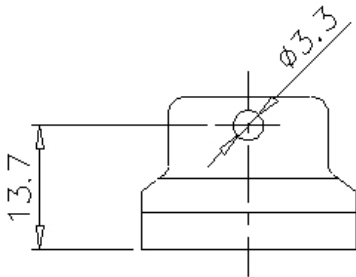
IV-G_CAMERA_OP-87899_87900_87901_dimension_01.gif

IV-G_CAMERA_OP-87899/87900/87901



OP-87899_87900_87901_dimension_01.gif

OP-87899/87900/87901



iv-g_hg_camera_op-87899-87901_dimension_01.gif

IV-G150MA/G300CA/G500CA/G500MA
/G600MA/HG150MA/HG300CA/HG500CA
/HG500MA/HG600MA/OP-87899/87900/87901

