

# Directional seated valve type NBVP 16

## Product documentation



Operating pressure  $p_{\max}$ :

400 bar

Flow rate  $Q_{\max}$ :

20 lpm



D 7765 N

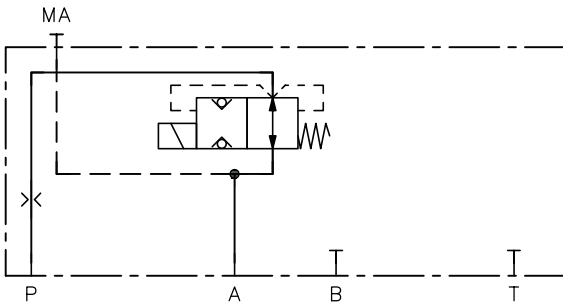
06-2023 -1.0 en

**HAWE**  
HYDRAULIK

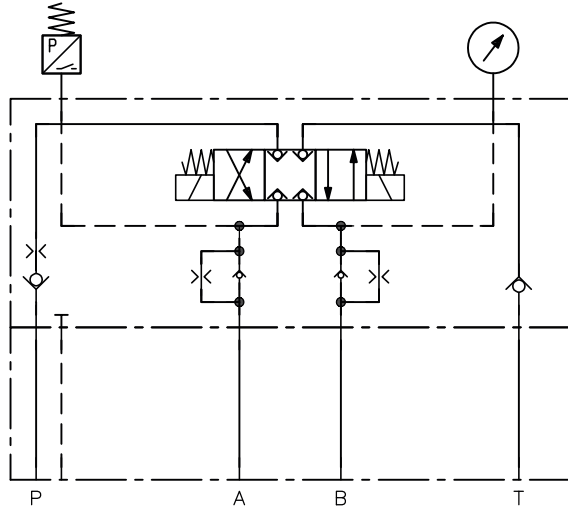
## 2 Available versions

### Circuit symbol examples

NBVP 16 S/B 0.8 /2 - WG 110



NBVP 16 G/B 0.8 R/ABR2.0 BBR1.5 /A3 B95/400/S - GM 24 - 3/8



### Ordering examples

NBVP 16	S	/B 0,8		/2		-WG 110	
NBVP 16	G	/B 0,8 R	/ABR 2,0 BBR 1,5	/A3 B95/400	/S	-GM 24	-3/8
NBVP 16	RU	/B 0,8 R	/A 3			-G 24	-1/4

2.1 "Basic type and size"	2.2 "Circuit symbol"	2.3 "Additional elements at port P or P1 and P2"	2.4 "Additional elements at port A and/or B"	2.5 "Pressure switches and/or pressure gauges at the ports A and/or B"	2.6 "Additional elements at port T"	2.7 "Actuations"	4.6 "Single connection block"
---------------------------	----------------------	--	--	--	-------------------------------------	------------------	-------------------------------

### 2.1 Basic type and size

Type	Description	Flow rate $Q_{max}$ (lpm)	Pressure $p_{max}$ (bar)
NBVP 16	With standard connection pattern NG 6 in accordance with DIN 24 340-A6 or CETOP 03 in accordance with ISO 4401-03	20	400



#### NOTICE

Observe the maximum operating pressure of the various circuit symbols and actuations (see Chapter 2.7.1, "Electrical actuations")

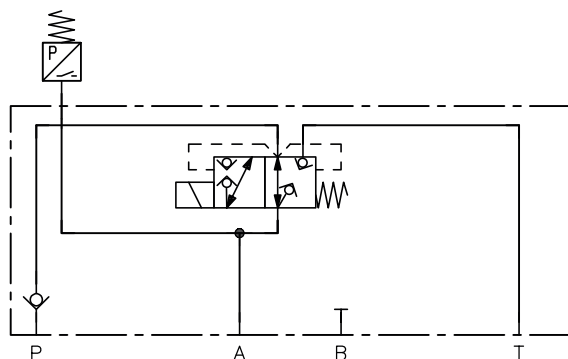
## 2.5 Pressure switches and/or pressure gauges at the ports A and/or B

Coding for circuit symbols			Pressure switch with adjustment range (bar)		Pressure gauge with display range up to (bar)	Publication
R, S, B, Z, Y	G, D, DS, W, Q, RS, SR, K, J, WD, GD, GH, ZZ, ZY, YZ, YY, ZD, RK, SK, STK, ZK, YK, RU, SU, STU, ZU, YU	G, D, DS, W, Q, RS, SR, K, J, WD, GD, GH, ZZ, ZY, YZ, YY				
	Port MA	Port MB				
2	--	--	Without DG	prepared	--	D 5440
3	A3	B3	DG 33	200 to 700	--	
4	A4	B4	DG 34	100 to 400	--	
5	A5	B5	DG 35	20 to 250	--	
6	A6	B6	DG 36	4 to 12	--	
7	A7	B7	DG 365	12 to 170	--	
8	A8	B8	DG 364	4 to 50	--	
5E1	A5E1	B5E1	DG 51 E-I 100		--	
5E2	A5E2	B5E2	DG 51 E-I 250		--	
5E4	A5E4	B5E4	DG 51 E-I 400		--	
5E6	A5E6	B5E6	DG 51 E-I 600		--	
6E1	A6E1	B6E1	DG 61		--	D 5440 F
6ER1	A6ER1	B6ER1	DG 61 R		--	
6E2	A6E2	B6E2	DG 62		--	
6ER2	A6ER2	B6ER2	DG 62 R		--	
6E4	A6E4	B6E4	DG 64		--	
6ER4	A6ER4	B6ER4	DG 64 R		--	
--	A95/100	B95/100	--		100	D 7077
--	A95/160	B95/160	--		160	
--	A95/250	B95/250	--		250	
--	A95/400	B95/400	--		400	

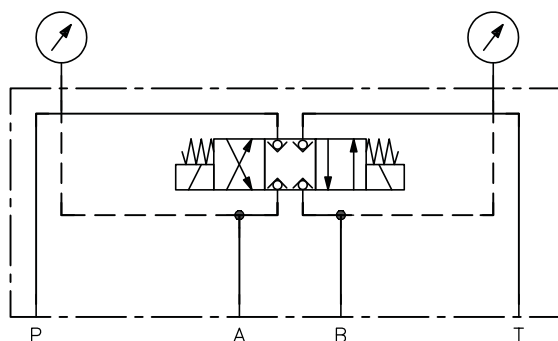
### NOTICE

- Circuit symbols R, S, B, Y, Z: Attachment of a pressure gauge or additional elements instead of the pressure switch with Y 9-X 84.. as per D 7077 possible
- Pressure gauge connections G 1/8

NBVP 16 Y/R/5-GM 24



NBVP 16 G/A95/400 B95/400-G 24



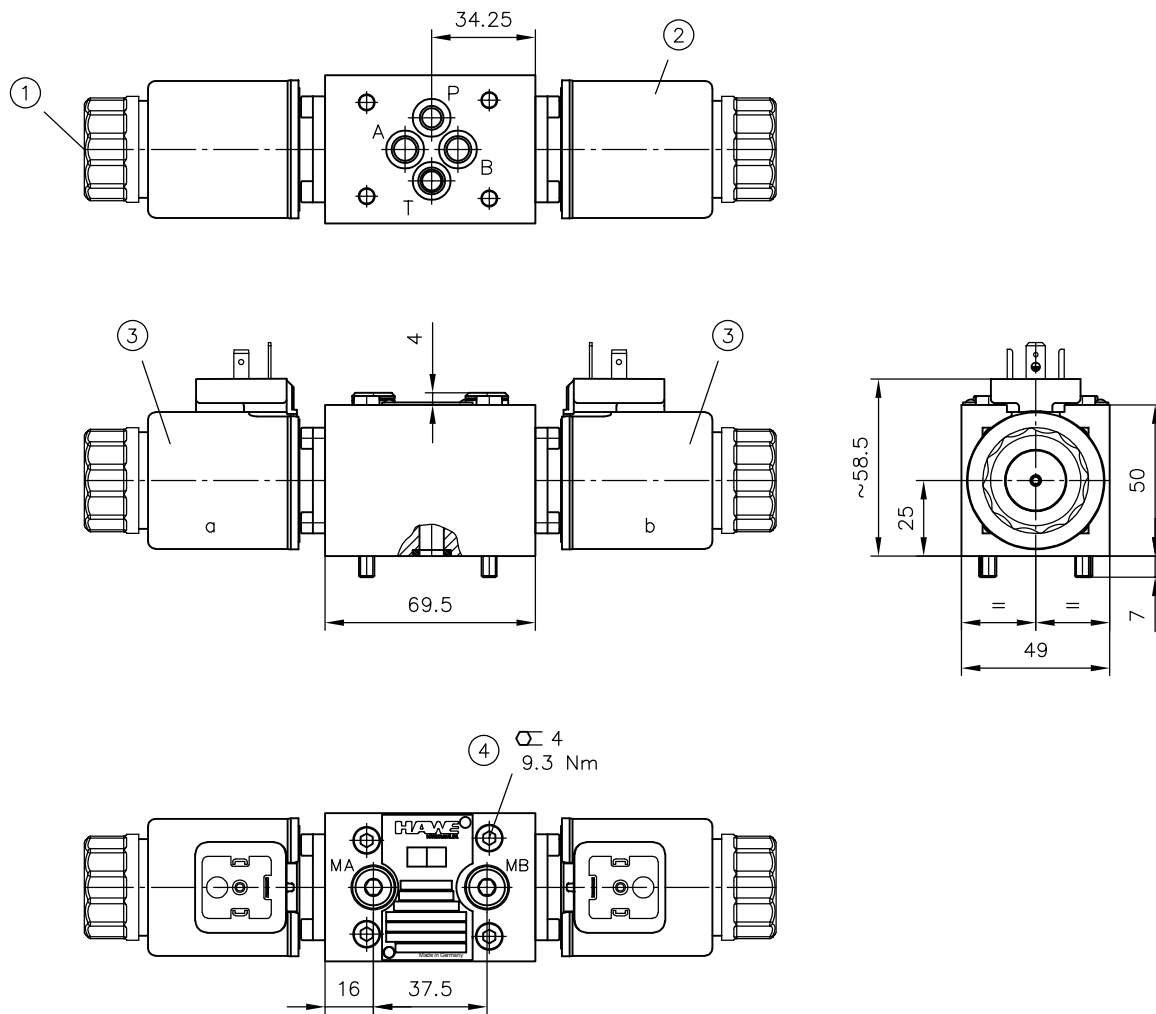
### 3.3 Weight

#### Complete with actuation

Electrical G., L., X., WG., M., X24 EX 55 FM	<b>Type</b>	
	NBVP 16 B (R, S, RK, SK, RU., SU.)	= 1.5 kg
	NBVP 16 Z (Y)	= 1.7 kg
	NBVP 16 ZD (Q, K, RS, SR, W, WD, ZK, YK, ZU., YU.)	= 2.1 kg
	NBVP 16 G (J, D, DS, GD, GH)	= 2.4 kg
	NBVP 16 ZZ (ZY, YZ, YY)	= 2.6 kg
Electrical GM.,LM., XM., WGM..	<b>Type</b>	
	NBVP 16 B (R, S, RK, SK, RU., SU.)	= 1.4 kg
	NBVP 16 Z (Y)	= 1.6 kg
	NBVP 16 ZD (Q, K, RS, SR, W, WD, ZK, YK, ZU., YU.)	= 2.1 kg
	NBVP 16 G (J, GD, GH)	= 2.2 kg
	NBVP 16 D (DS)	= 2.4 kg
	NBVP 16 ZZ (ZY, YZ, YY)	= 2.6 kg
Hydraulic H 1/4	<b>Type</b>	
	NBVP 16 B (R, S)	= 1.1 kg
	NBVP 16 Z (Y)	= 1.3 kg
	NBVP 16 ZD (Q, K, RS, SR, W)	= 2.3 kg
	NBVP 16 G (J, D, DS)	= 3.0 kg
Pneumatic P	<b>Type</b>	
	NBVP 16 B (R, S)	= 1.0 kg
	NBVP 16 Z (Y)	= 1.2 kg
	NBVP 16 ZD (Q, K, RS, SR, W)	= 1.6 kg
	NBVP 16 G (J, D, DS)	= 1.6 kg
Mechanical T	<b>Type</b>	
	NBVP 16 B (R, S)	= 1.1 kg
	NBVP 16 Z (Y)	= 1.3 kg
	NBVP 16 ZD (Q, K, RS, SR, W)	= 1.7 kg
Mechanical K	<b>Type</b>	
	NBVP 16 B (R, S)	= 1.4 kg
	NBVP 16 Z (Y)	= 1.6 kg
	NBVP 16 ZD (Q, K, RS, SR, W)	= 2.0 kg

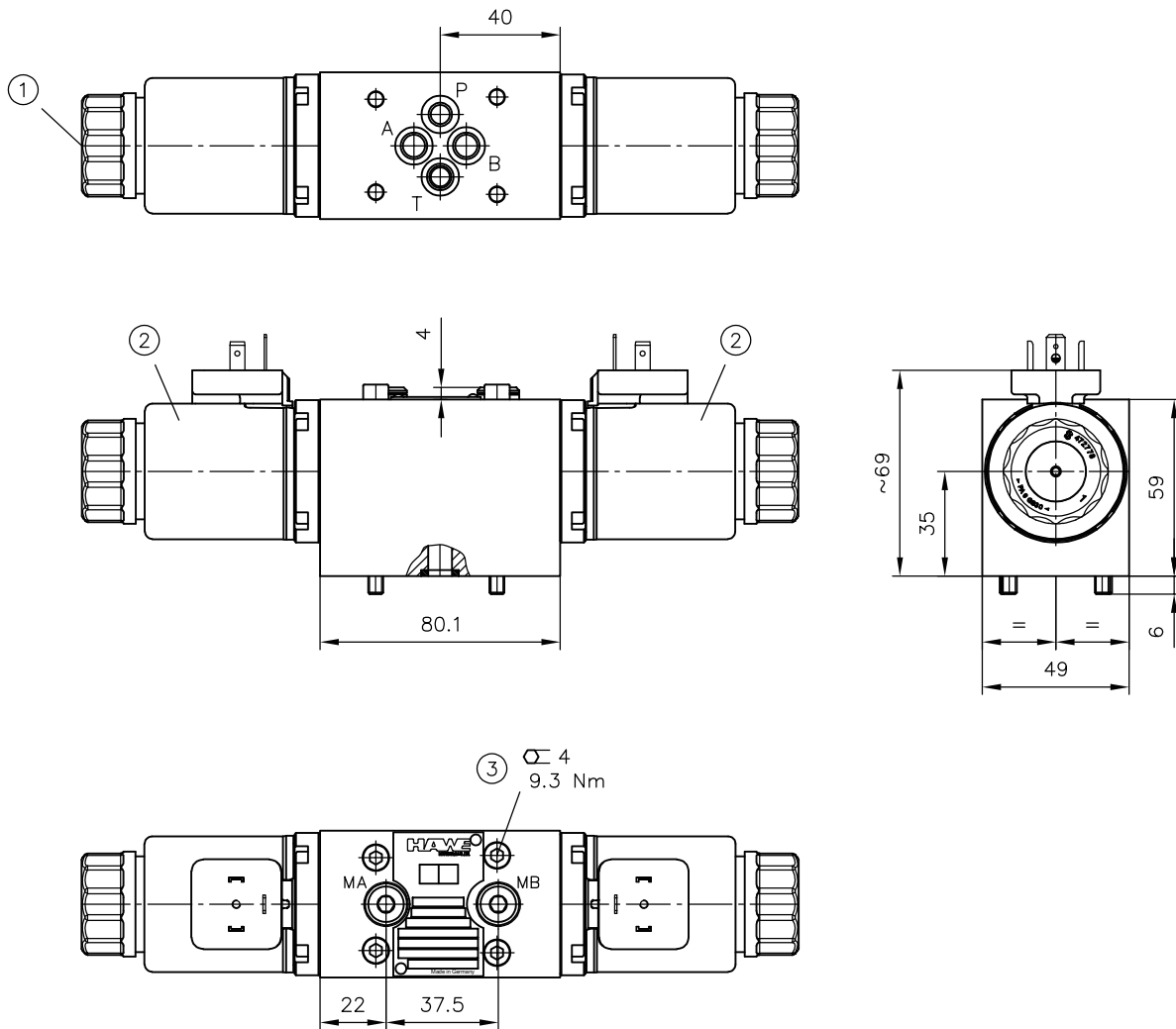
## 4.2 Valve part

NBVP 16 G (D, DS, J, Q, K, RS, SR, W)



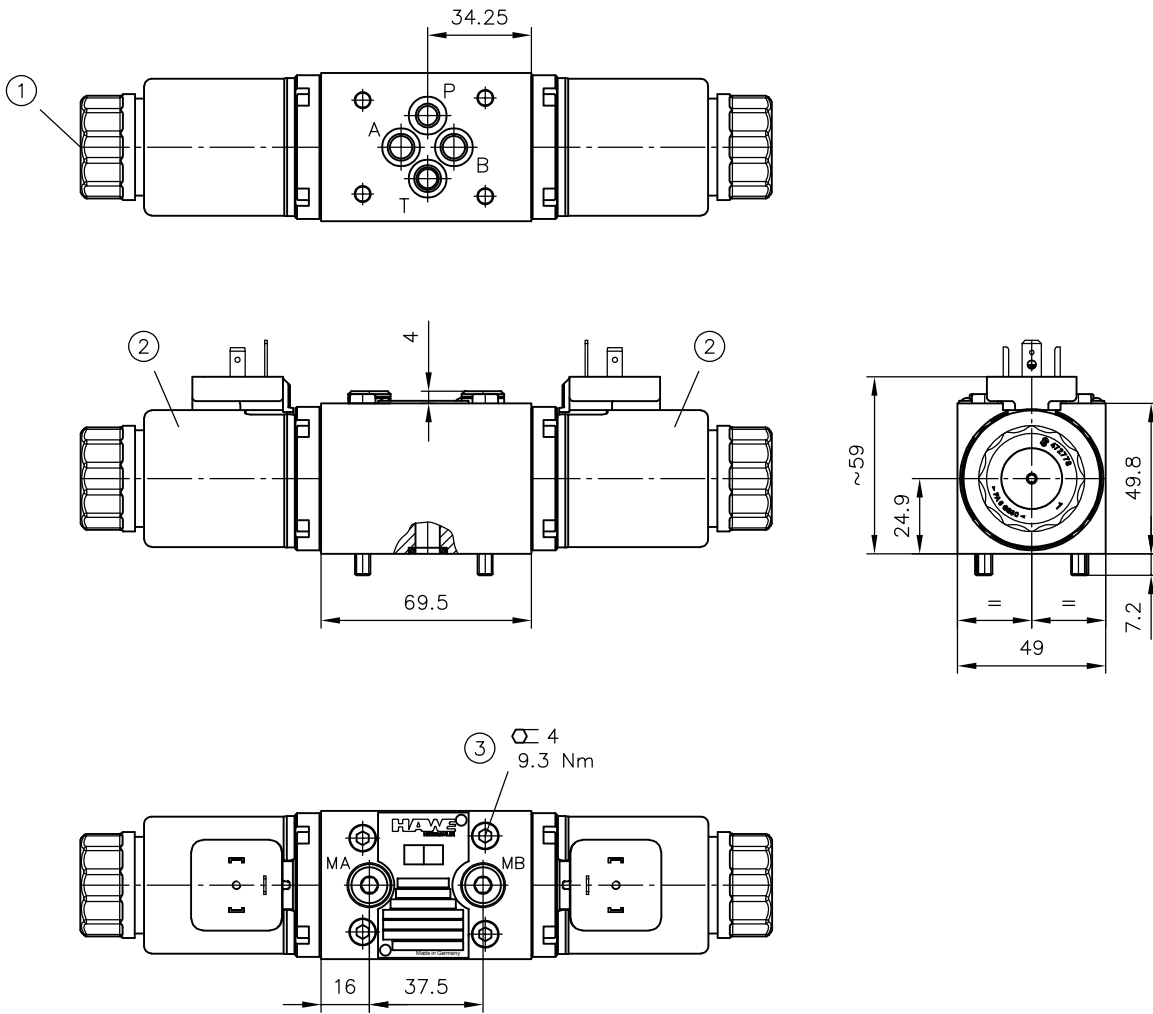
- 1 Manual actuation
- 2 Solenoid missing with type Q, K, RS, SR, W
- 3 Excitation system can be pivoted through 360° (dimensions see Chapter 4.3.1, "Electrical actuations")
- 4 Cylinder screw ISO 4762-M5x55-12.9

**NBVP 16 GD**



- 1 Manual actuation
- 2 Excitation system can be pivoted through 360° (dimensions see Chapter 4.3.1, "Electrical actuations")
- 3 Cylinder screw ISO 4762-M5x65-12.9

NBVP 16 GH



- 1 Manual actuation
- 2 Excitation system can be pivoted through 360° (dimensions see Chapter 4.3.1, "Electrical actuations")
- 3 Cylinder screw ISO 4762-M5x55-12.9