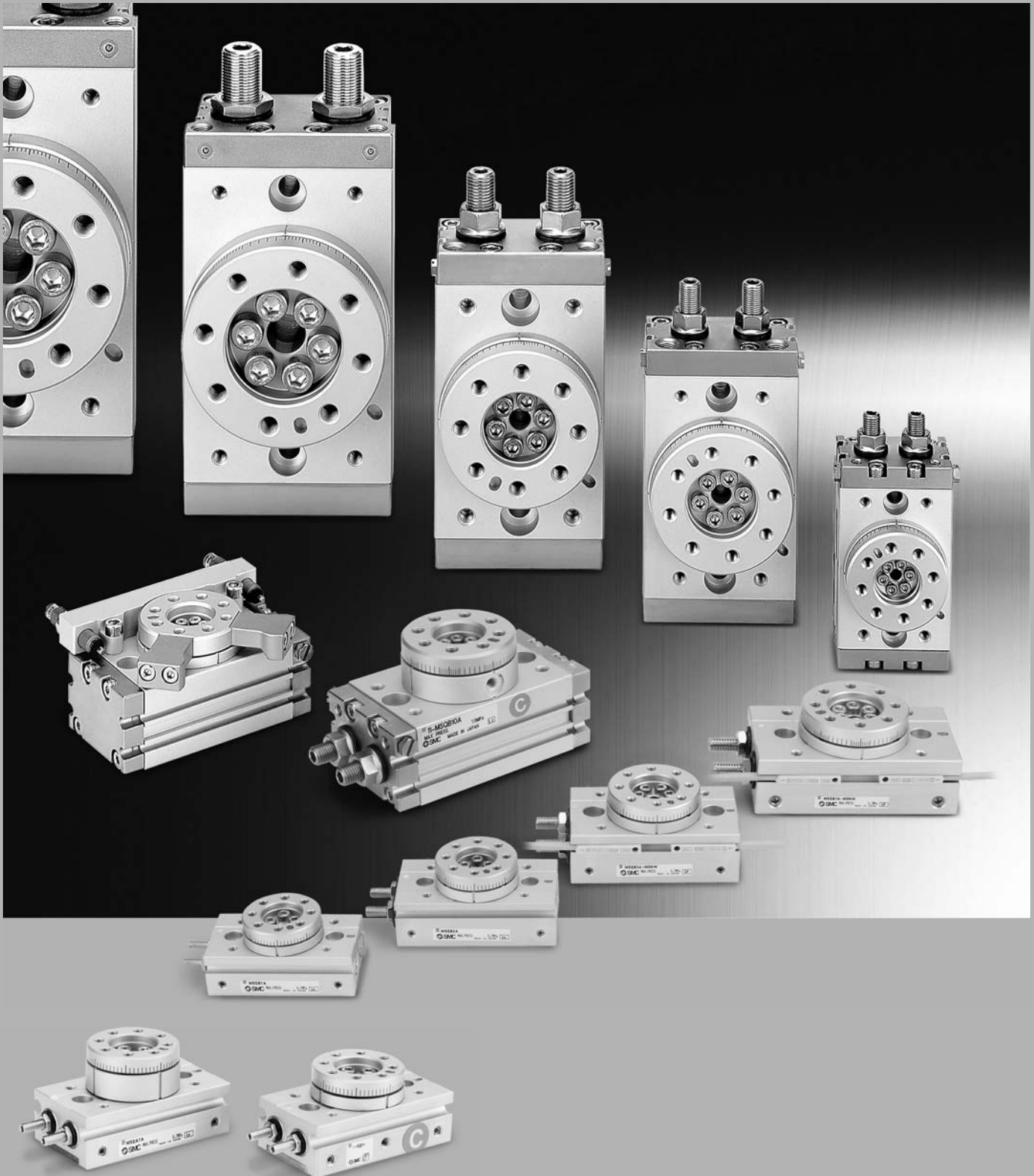


# Rotary Table/Rack & Pinion Style

## Series MSQ

Size: 1, 2, 3, 7, 10, 20, 30, 50, 70, 100, 200



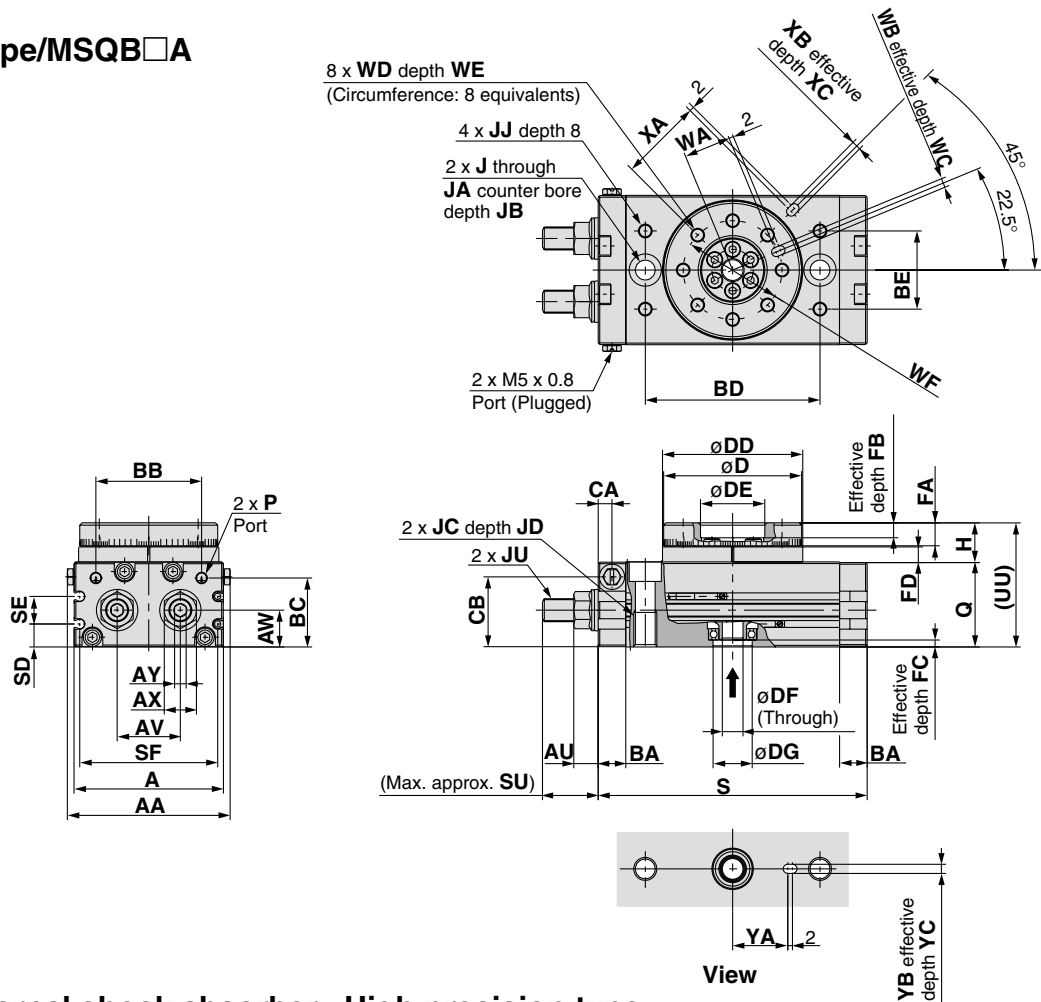
- CRB2
- CRBU2
- CRB1
- MSU
- CRJ
- CRA1
- CRQ2
- MSQ**
- MSZ
- CRQ2X
- MSQX
- MRQ

D-□

# Series MSQ

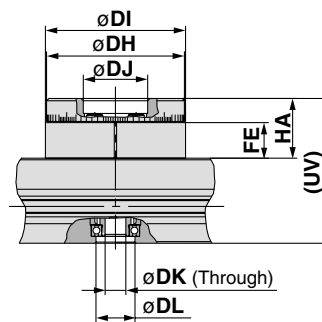
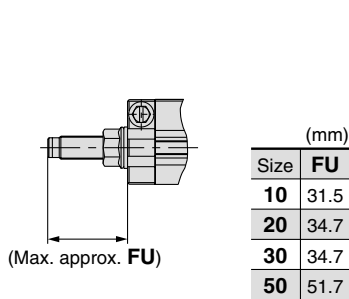
## Dimensions/Size 10, 20, 30, 50

### Basic type/MSQB□A



### With internal shock absorber MSQA□R MSQB□R

### High precision type MSQA□A/With adjustment bolt MSQA□R/With internal shock absorber



Size	DH	DI	DJ	DK	DL	FE	HA	UV
10	45h8	46h8	20H8	5	15H8	10	18.5	52.5
20	60h8	61h8	28H8	9	17H8	15.5	26	63
30	65h8	67h8	32H8	9	22H8	16.5	27	67
50	75h8	77h8	35H8	10	26H8	17.5	30	76

Size	AA	A	AU	AV	AW	AX	AY	BA	BB	BC	BD	BE	CA	CB	D	DD	DE	DF	DG	FA	FB	FC	FD	H	J	JA	JB
10	55.4	50	8.6	20	15.5	12	4	9.5	34.5	27.8	60	27	4.5	28.5	45h9	46h9	20H9	5	15H9	8	4	3	4.5	13	6.8	11	6.5
20	70.8	65	10.6	27.5	16	14	5	12	46	30	76	34	6	30.5	60h9	61h9	28H9	9	17H9	10	6	2.5	6.5	17	8.6	14	8.5
30	75.4	70	10.6	29	18.5	14	5	12	50	32	84	37	6.5	33.5	65h9	67h9	32H9	9	22H9	10	4.5	3	6.5	17	8.6	14	8.5
50	85.4	80	14	38	22	19	6	15.5	63	37.5	100	50	10	37.5	75h9	77h9	35H9	10	26H9	12	5	3	7.5	20	10.5	18	10.5

Size	JC	JD	JJ	JU	P	Q	S	SD	SE	SF	SU	UU	WA	WB	WC	WD	WE	WF	XA	XB	XC	YA	YB	YC
10	M8 x 1.25	12	M5 x 0.8	M8 x 1	M5 x 0.8	34	92	9	13	45	17.7	47	15	3H9	3.5	M5 x 0.8	8	32	27	3H9	3.5	19	3H9	3.5
20	M10 x 1.5	15	M6 x 1	M10 x 1	M5 x 0.8	37	117	10	12	60	25	54	20.5	4H9	4.5	M6 x 1	10	43	36	4H9	4.5	24	4H9	4.5
30	M10 x 1.5	15	M6 x 1	M10 x 1	Rc 1/8*	40	127	11.5	14	65	25	57	23	4H9	4.5	M6 x 1	10	48	39	4H9	4.5	28	4H9	4.5
50	M12 x 1.75	18	M8 x 1.25	M14 x 1.5	Rc 1/8*	46	152	14.5	15	75	31.4	66	26.5	5H9	5.5	M8 x 1.25	12	55	45	5H9	5.5	33	5H9	5.5

\* In addition to Rc 1/8, G 1/8 and NPT 1/8 are also available.