

MELSERVO

Servo amplifier and motors

Instruction Manual

MR-J2S-B/B4

1.3.2 Servo amplifiers 400V

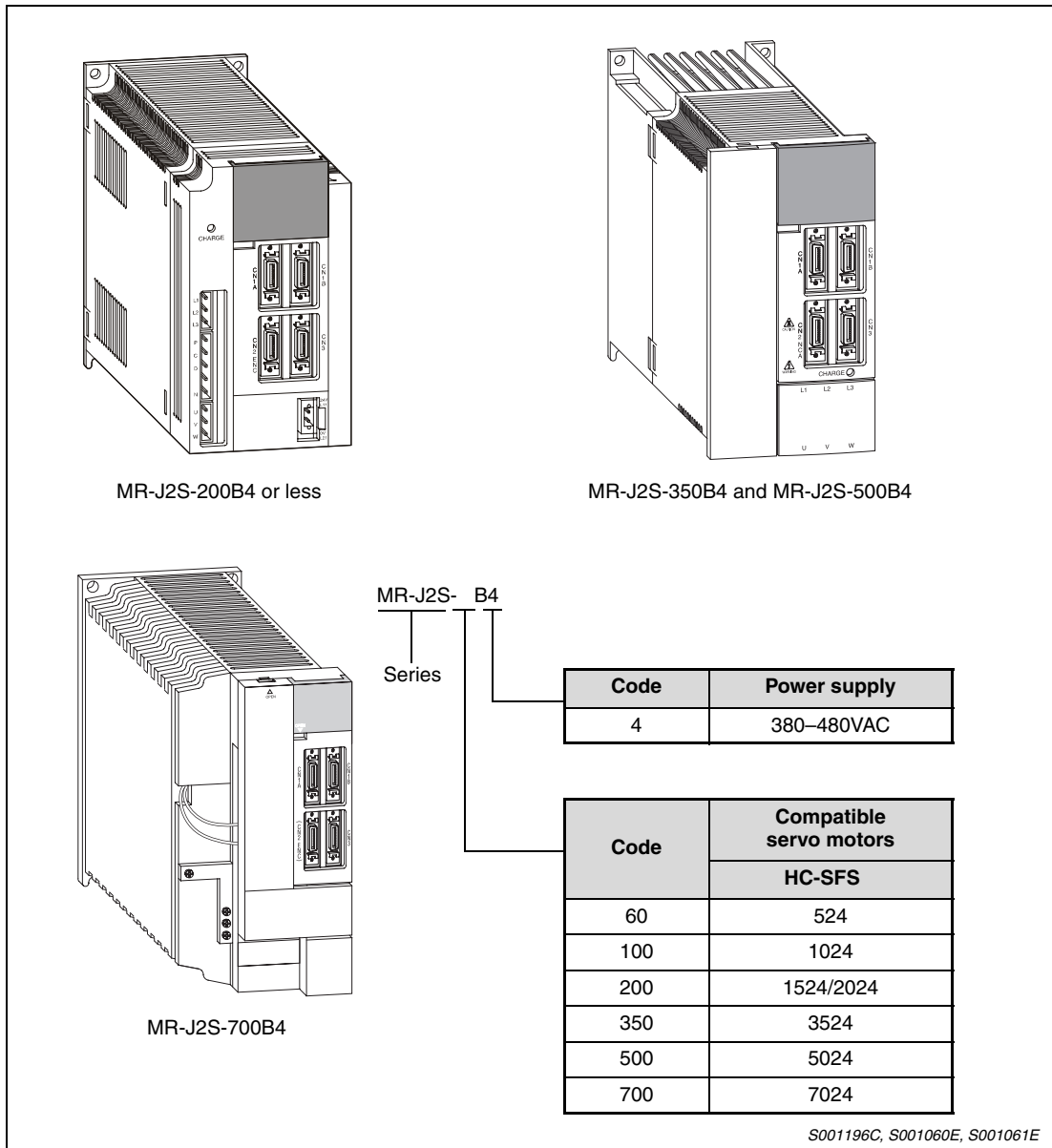


Fig. 1-5: Model designation of servo amplifiers 400V

1.3.3 Rating plate

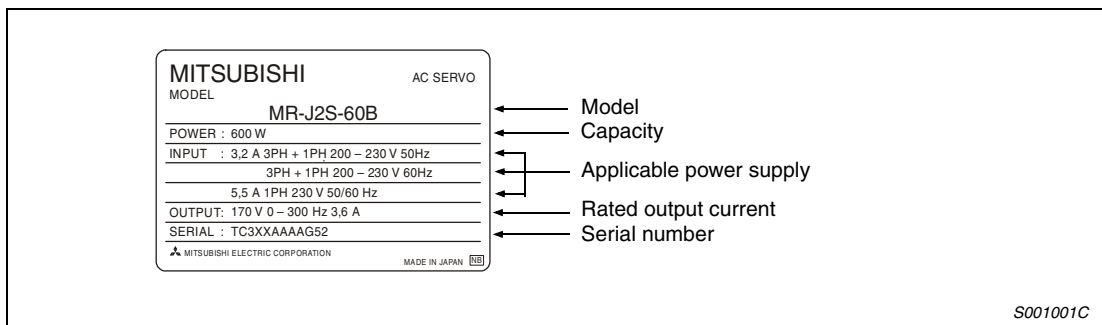


Fig. 1-6: Rating plate

MR-J2S-700B4

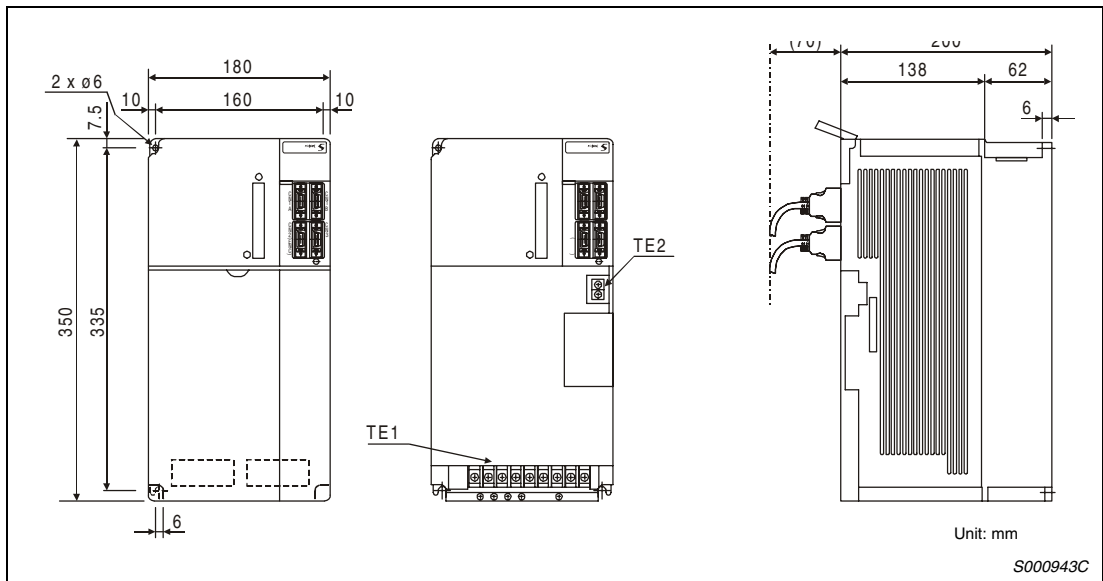


Fig. 12-17: Outline drawing

Model	Weight [kg]
MR-J2S-700B4	7.2

Tab. 12-9: Dimensioning

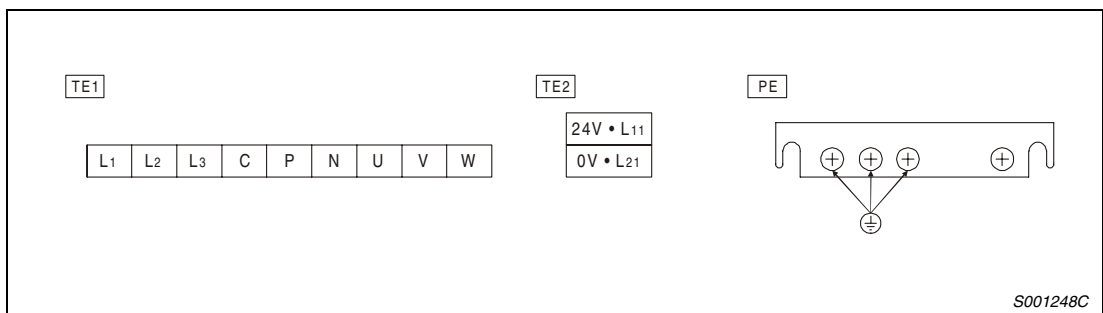


Fig. 12-18: Terminals