

GEARBOX

PRODUCT SERIES	MP - Precision Planetary Gearboxes
FRAME SIZE	053 - Mn2=20Nm/Tn2=177LbIn
REDUCTIONS	2 - 2 Reduction Stages
GEAR RATIO	45
ANGULAR BACKLASH	LOW - Reduced Angular Backlash
INPUT SECTION	40B
KEYING CRANKSHAFT	CD - Clamp Clamp
HOLE DIAM.INPUT SHAFT	9 - I/P Shaft diam. ø9 [mm]
SERVICE TYPE	S5 - Intermittent Duty
MOUNTING POSITION	OR - Horizontal Mounting Position
OUTPUT SHAFT BEARINGS	SB - Standard Bearings
OUTPUT SHAFT CONFIG.	KE - Keyed Output Shaft

TECH.DATA

Mn2 Output rated torque [Nm]	20
Ma2 o/p maxi.accel.torque [Nm]	30
Mp2 o/p emerg.stop torque [Nm]	60
n1 Input Speed [min-1]	4000
n1max max.mom.I/P speed[min-1]	6000
φ Angula.backlash [arcmin]	10'
Ct torsio.stiffne. [Nm/arcmin]	0.9
R1max I/P Radia.force admis[N]	200
R2max o/p max.forc.ap.shaft[N]	500
A2max o/p max.ax.forc.shaf [N]	600
η [%]	94
Lubrificant	KLUBERSYNTH GE 46-1200
Gearbox Weight [Kg]	1.0
Gearbox Weight [lb]	2.2

Product Dimensions

Datasheet ID: testID

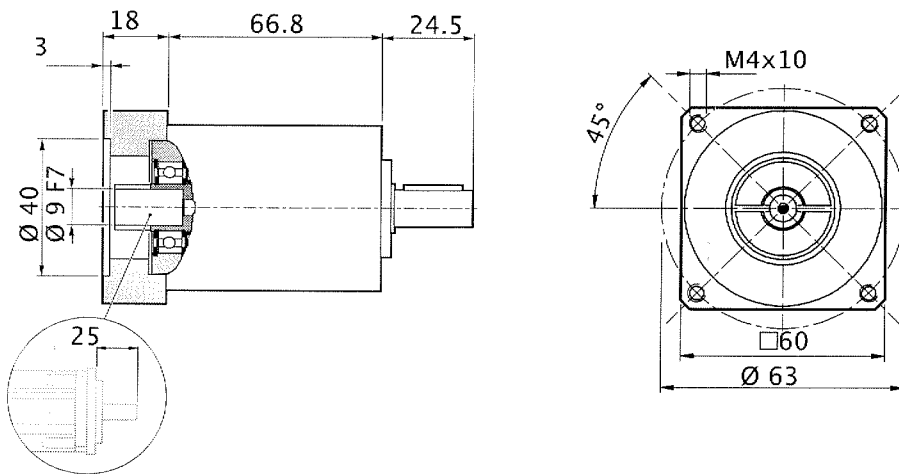
Created by: gary@aptpowerdrive.co.uk

Created on: 10/06/2021

Designation

MP 053 2 45 LOW 40B CD 9 S5 OR SB KE -

Gearbox Dimensions



Output Shaft

